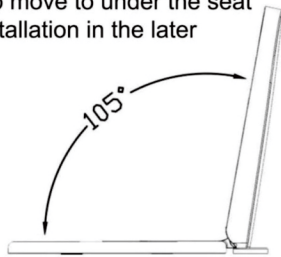
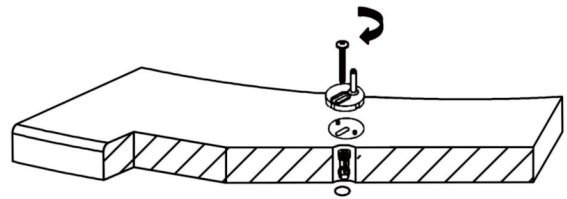


Toilet Seat Installation Instructions

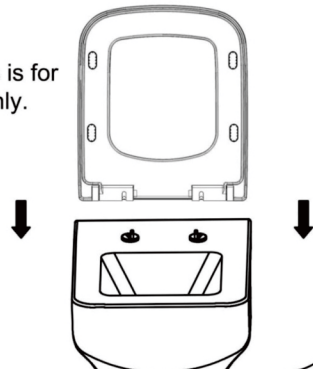
- ① To help keep the fitting holes on the seat aligned, please do not open the seat over 105 degrees, as this will cause the holes to move to under the seat itself, which will hinder installation in the later stages.



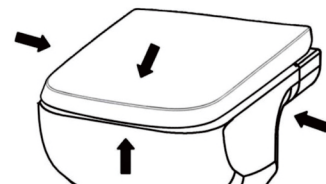
- ② Insert top fix fittings into pan holes.



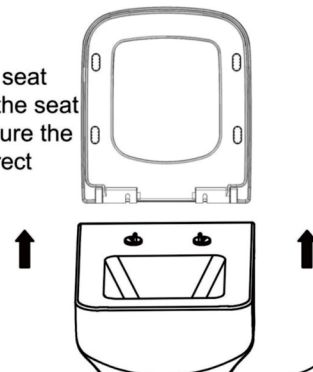
- ③ Attach the toilet seat - this is for correct alignment fitting only.



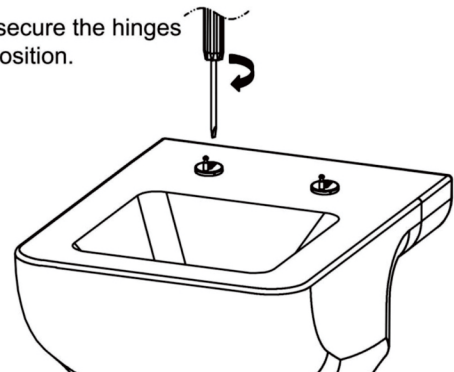
- ④ Adjust to fit the pan



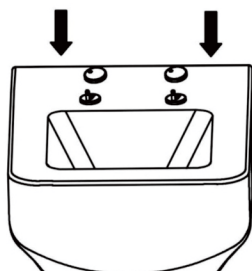
- ⑤ Now carefully remove the seat using the push button on the seat itself. Be careful as to ensure the fittings remain in their correct positions.



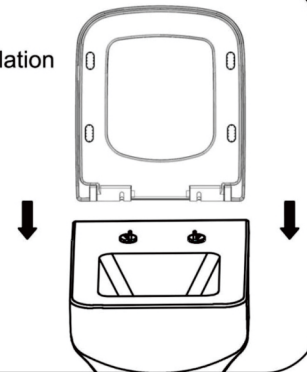
- ⑥ Now secure the hinges into position.



- ⑦ Apply the hinge cover caps



- ⑧ Fit the seat and the installation is completed



Cleaning & maintenance

- Clean the all surfaces with a soft damp cloth and a general purpose bathroom cleaner.
- Do not scrub or use scourers or abrasive materials to clean since these will scratch the surface.
- Do not use aggressive chemicals, abrasive cleaners or polishes as this may damage the surface of the product.
- Do not use products containing bleach, acids, solvents or alcohol as this may damage the surface of the product.
- Wipe surface clean using a soft cloth ensuring all cleaning products are removed from the surface.
- When using chemical cleaners in the pan, avoid contact with the seat and hinges. Ensure any splashes are rinsed off immediately to avoid discoloration or corrosion.

WARNING

- Do not stand on the seat rim or lid as excessive force may damage the product or cause injury.
- Do not force the seat or lid closed as this may damage the soft close function.
- Periodically check that the seat is secured and re-tighten the fixings if necessary.