

EN User Manual | **Cooker Hood**

GDE682HM

GDE686HM

GDE689HM



Welcome to AEG! Thank you for choosing our appliance.



In our drive to be sustainable, we are reducing paper assets and provide full user manuals online. Access your full user manual at aeg.com/manuals



Get usage advice, brochures, trouble shooter, service and repair information at aeg.com/support

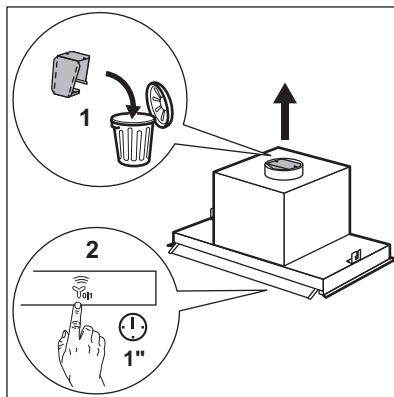
1. SAFETY INFORMATION AND INSTALLATION

WARNING!

Refer to the separate Installation Instructions booklet for Safety Information and Installation. Read carefully the Safety chapters before any use or maintenance of the appliance.

WARNING!

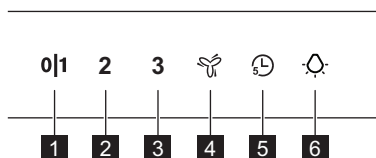
Before connection to electricity make sure the blower support has been removed from the motor.



2. PRODUCT DESCRIPTION

2.1 Control panel overview

 To operate the hood open the glass with control panel symbols.





1 **First speed / Off** - The motor switches to first speed level. Second press turns off the appliance.

2 **Second speed** - The motor switches to second speed level.

3 **Third speed** - The motor switches to third speed level.

- 4 Maximum speed** - The motor switches to maximum speed level. Function starts to operate for 5 minutes. After that time, the hood returns to its previous speed settings.

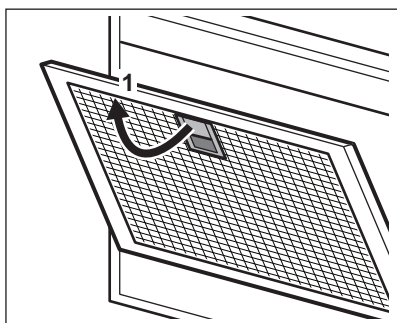
Timer - Turns off the appliance after 5 minutes. To activate the function, touch the  symbol. Timer starts to flash. To turn off the function touch the symbol again.

- 5 Filter notification** - Reminds to change or clean the charcoal filter and clean the grease filter. Symbol turns on for 30 seconds if the grease filter must be cleaned and flashes for 30 seconds if the charcoal filter must be replaced or cleaned. Touch  for 3 seconds to reset the function when the notification is active.

- 6 Lamp** - Turns the lights on and off.

Care and cleaning

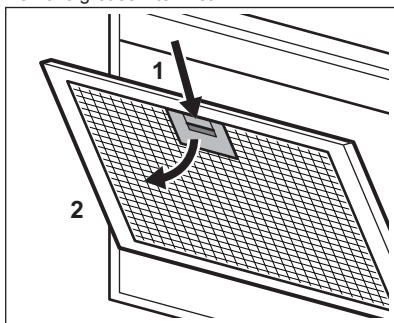
Removal of grease filter



1.

Removal of charcoal filter

Remove grease filter first.






To install filters, perform steps in reverse order.

Clean the appliance and grease filters each month. Grease filters can be washed in a dishwasher. The time of saturation of the charcoal filter varies depending on the type of cooking and the regularity of cleaning the grease filter.

Charcoal filter is washable, clean or regenerate the filter after approximately every two months.


Cleaning mode


Cleaning mode blocks the functionality of control panel for 5 minutes. When active, touching the symbols has no effect and Hob2Hood function is disabled.

1. To activate the mode, touch and hold **011** and  for 3 seconds. **011** and  turns on. 2. To deactivate the mode, touch and hold the symbols again for 3 seconds.  and **011** turns off.

This appliance is supplied with a LED lamp and separate control gear (LED driver). These parts can be replaced by a technician only. In case of any malfunction refer to "Service" in the "Safety Instructions" chapter.

3. ENVIRONMENTAL CONCERNS

Recycle materials with the symbol . Put the packaging in relevant containers to recycle it. Help protect the environment and human health by recycling waste of electrical and

electronic appliances. Do not dispose of appliances marked with the symbol  with the household waste. Return the product to your local recycling facility or contact your municipal office.

aeg.com

867382500-A-072024



UK
CA CE