

**Series 2, Built-in oven, 60 x 60 cm,  
Black  
HHF113BA0B**



**The built-in oven with 3D hot air: achieve perfect baking and roasting results on up to three levels simultaneously.**

- **Red LED display control:** easy-to-use thanks to the time functions.

**Technical Data**

Built-in / Free-standing: ..... Built-in  
 Integrated Cleaning system: ..... No  
 Min. required niche size for installation (HxWxD): 575-597 x 560-568 x 550 mm  
 Dimensions: ..... 595 x 594 x 548 mm  
 Dimensions of the packed product (HxWxD): ..... 660 x 650 x 670 mm  
 Control Panel Material: ..... metal lacquered  
 Door Material: ..... Glass  
 Net weight: ..... 32.4 kg  
 Usable volume of cavity: ..... 66 l  
 Cooking method: .... Hotair gentle, Hot Air, Hot air grilling, Full width variable grill  
 Oven control: ..... mechanical  
 Number of interior lights: ..... 1  
 Length electrical supply cord: ..... 110.0 cm  
 EAN code: ..... 4242005048328  
 Number of cavities (2010/30/EC): ..... 1  
 Energy efficiency rating: ..... A  
 Energy consumption per cycle forced air convection (2010/30/EQ): 79 kWh/cycle  
 Energy efficiency index (2010/30/EC): ..... 95.2 %  
 Connection rating: ..... 2400 W  
 Fuse protection: ..... 13 A  
 Voltage: ..... 220-240 V  
 Frequency: ..... 60; 50 Hz  
 Plug type: ..... GB plug  
 Included accessories: ..... 1 x insert grid, 1 x combination grid, 1 x universal pan

**Included accessories**

1 x insert grid, 1 x combination grid, 1 x universal pan

**Optional accessories**

- HEZ317000 Pizza pan, enamelled
- HEZ327000 Pizza stone
- HEZ333001 Lid for professional pan
- HEZ425000 Grill tray
- HEZ431002 Baking tray, enamelled
- HEZ915003 Glass roasting dish, 5,4 L



**Series 2, Built-in oven, 60 x 60 cm,  
Black  
HHF113BA0B**

**The built-in oven with 3D hot air: achieve perfect baking and roasting results on up to three levels simultaneously.**

---

**Design**

- LED-Display Control (Red)
- Rotary dial, round
- Interior halogen light
- Straight bar handle

**Features**

- Control panel lock
- Automatic start
- Electronic clock timer
- Integral cooling fan
- 5 shelf positions
- Cavity volume: 66 litre

**Cleaning**

- Full glass inner door

**Programmes/functions**

- Oven with 4 cooking functions: heating methods: 3D Hotair, Hotair grilling, Hotair gentle, full width variable grill

**Accessories**

- 1 x universal pan, 1 x combination grid, 1 x insert grid

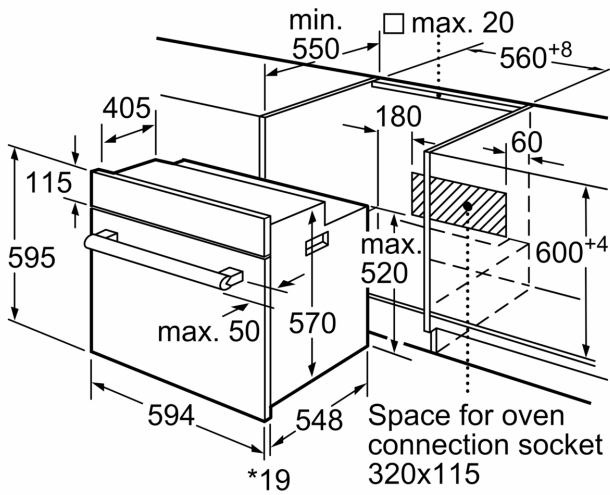
**Performance/technical information**

- 110 cm Cable length
- Temperature range 50 °C - 275 °C
- Nominal voltage: 220 - 240 V
- Total connected load electric: 2.4 KW
- Appliance dimension (hxwxd): 595 mm x 594 mm x 548 mm
- Niche dimension (hxwxd): 575 mm - 597 mm x 560 mm - 568 mm x 550 mm
- Please refer to the dimensions provided in the installation manual
- Available as an additional accessory

**Level independent telescopic rails**

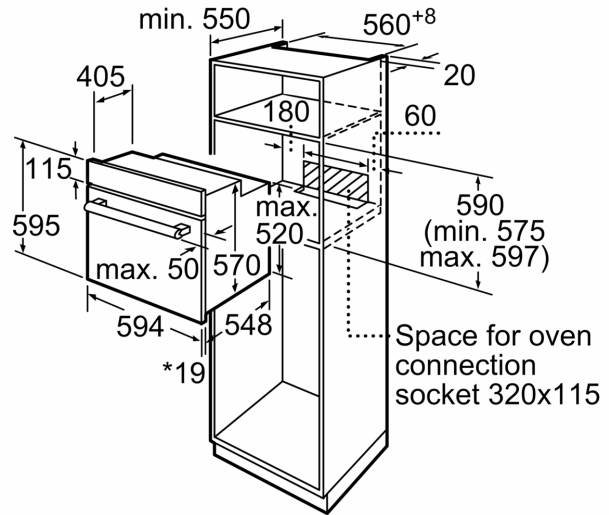
- Extra large capacity oven with grey enamel

**Series 2, Built-in oven, 60 x 60 cm,  
Black  
HHF113BA0B**



\* 20 mm for metal fascias

measurements in mm



\* 20 mm for metal fascias

measurements in mm



\* 20 mm for metal fascias

Dimensions in mm