

N 90, BUILT-IN OVEN WITH STEAM FUNCTION, 60 X 60 CM, GRAPHITE-GREY
B64FS31G0B



A+

Included accessories

2 x grid, 1 x universal pan, 1 x steam container, size XL, punched, 1 x Steam container, unpunched, size M

Optional accessories

Z11AB15A0 Baking tray, non-stick ceramic coated, Z11AU15A0 Universal pan, non-stick ceramic coated, Z11CG10X1 AirFry & Grill Set, Z11GT10X3 Glass roasting dish, 5,4l, Z11GU20X0 Glasspan, Z11SZ00X0 SeamlessCombination mounting kit, Z11SZ80G0 SeamlessCombination 60 + 29cm, Z11SZ90G0 SeamlessCombination 60 + 45cm, Z12CB10A0 Baking tray, enamelled, Z12CL10A0 Lid for professional pan, enamelled, Z12CM10A0 Moussaka pan, enamelled, Z12CN10A0 Professional pan, enamelled, Z12CP10A0 Pizza pan, enamelled, Z12CU10A0 Multipurpose pan, enamelled, Z13CR10X0 Baking and roasting grid (steam), Z13CV06S0 Decor strip, Z1608DX0 Full ext rails, level independent, steam, Z1650BE0 Half tray, Z1650DU0 2 steamcontainer(punched/unpunched)sizeM, Z1655CA0 Air Fry & Grill tray

Built-in oven Intensive Steam with Slide & Hide® - the easy to handle door that gently disappears under the oven and closes smoothly. Home Connect - control your oven via the App.

- √ 4.1-inch Full Touch TFT Display: easy, intuitive menu for smart and enjoyable cooking.
- √ Slide & Hide®: the easy-to-handle oven door that slides away for unrestricted access.
- √ Intensive Steam: healthy steaming keeps your favourite dishes full of flavour and nutrients.
- √ Steam Boost: quickly fills your oven with steam for ultimate flavour and texture.
- √ Circo Therm®: the smart solution for simultaneous baking and roasting on up to four levels.

Features

Technical Data

Built-in / Free-standing: Built-in
 Door opening: Drop down
 Min. required niche size for installation (HxWxD): 585-595 x 560-568 x 550 mm
 Dimensions: 595 x 596 x 548 mm
 Dimensions of the packed product (HxWxD): . 655 x 650 x 690 mm
 Control Panel Material:Stainless steel
 Door Material: Glass
 Net weight: 39.6 kg
 Length electrical supply cord: 120.0 cm
 EAN code:4242004266143
 Fuse protection:16 A
 Voltage: 220-240 V
 Frequency: 50; 60 Hz
 Plug type: no plug
 (electrical connection by electrician)
 Number of cavities (2010/30/EC): 1
 Usable volume (of cavity) - NEW (2010/30/EC):71 l
 Energy efficiency rating: A+
 Energy consumption per cycle conventional (2010/30/EC): 0.87 kWh/cycle
 Energy consumption per cycle forced air convection (2010/30/EC): 0.69 kWh/cycle
 Energy efficiency index (2010/30/EC):81.2 %
 Included accessories: 2 x grid, 1 x universal pan, 1 x steam container, punched, size XL, 1 x Steam container, punched, size M, 1 x Steam container, unpunched, size M



*N 90, BUILT-IN OVEN WITH STEAM FUNCTION, 60
X 60 CM, GRAPHITE-GREY
B64FS31GOB*

Features

- Combi-steam oven with 22 heating methods: Top/bottom heat, Full surface grill, Centre surface grill, Bread baking, Bottom heat, Low temperature cooking, Plate warming, Keep warm, Conventional heat gentle, Steaming, Reheat with steam, Dough proving, Defrost, Circo-roasting, Bread Baking Setting, warming, 4D Hot air, Top/bottom heat

Design

- Graphite-Grey Edition
- Touch control
- Cavity inner surface: enamel anthracite

Features

- HomeConnect ready on WLAN
- Oven Assistant with Voice Control
- Control panel lock
- Automatic safety switch off Residual heat indicator Start button Door contact switch
- Full glass inner door

Programmes/functions

- Temperature range 40 °C - 250 °C
- LED light, On/off button
- Electronic clock timer
- Slide&Hide® with rotating handle
- Water tank empty indicator
- Location of water tank: Outside cavity
- SoftClose, SoftOpen
- Heat reflective glass
- Triple glazed door glazed CoolTouch door
- Temperature proposal
- Actual temperature display Heating up indicator
- cookControl Plus
- Rapid heat
- steam boost - add for 3min intensive steam with a touch of a button.
- There are different steam intensities selectable: steam level high, steam level middle, steam level low
- Cooling fan
- Stainless-steel fan

Level independent telescopic rails

- 4 shelf positions
- Available as an accessory

Cleaning

- EcoClean Direct : back panel
- EasyClean

Accessories

- 1 x Steam container, unpunched, size M, 2 x grid, 1 x universal pan, 1 x Steam container, punched, size M, 1 x steam container, punched, size XL

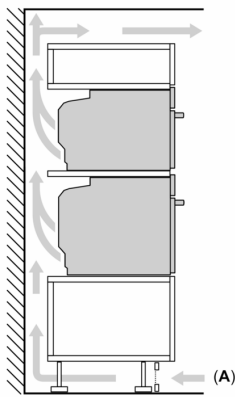
Performance/technical information

- 120 cm Cable length
- Nominal voltage: 220 - 240 V
- Total connected load electric: 3.6 KW
- Energy efficiency rating (acc. EU Nr. 65/2014): A+
- Energy consumption per cycle in conventional mode:0.87 kWh
- Energy consumption per cycle in fan-forced convection mode:0.69 kWh
- Number of cavities: Main cavity Heat source: electrical Cavity volume:71 litre
- Appliance dimension (hxwx): 595 mm x 596 mm x 548 mm
- Niche dimension (hxwx): 585 mm - 595 mm x 560 mm - 568 mm x 550 mm
- Please refer to the dimensions provided in the installation manual

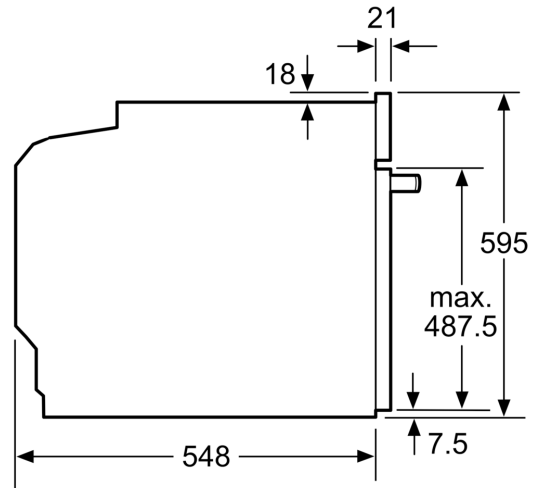
N 90, BUILT-IN OVEN WITH STEAM FUNCTION, 60 X 60 CM, GRAPHITE-GREY
B64FS31G0B

Dimensioned drawings

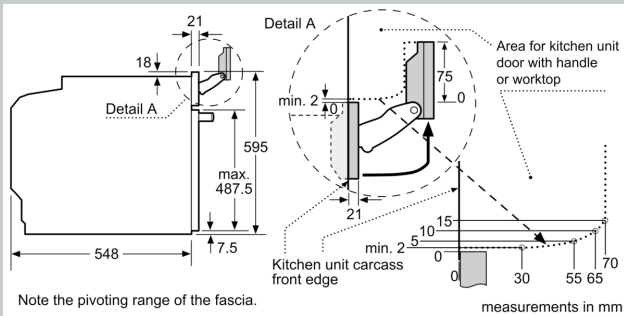
Installing two appliances on top of each other
Air exchange



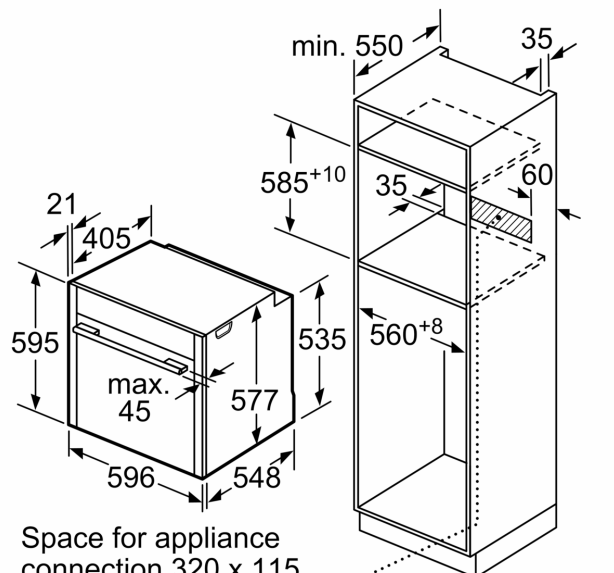
A: Air inlet $\geq 200 \text{ cm}^2$



measurements in mm



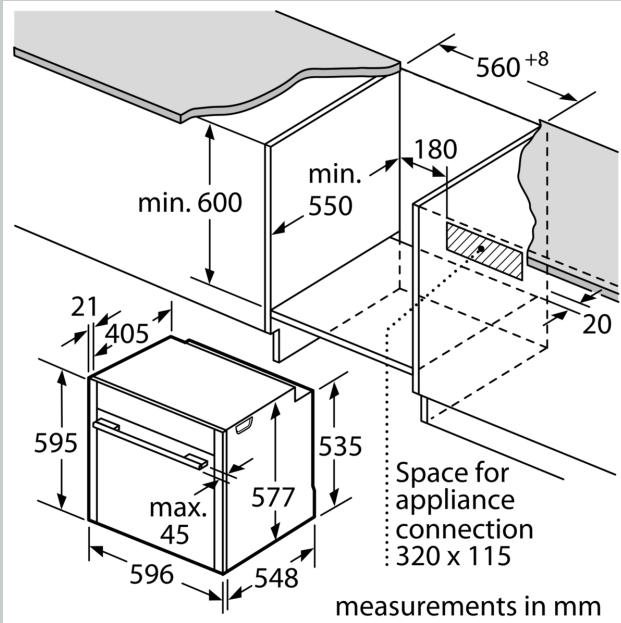
measurements in mm



Space for appliance connection 320 x 115

measurements in mm

Dimensioned drawings



If the appliance will be installed underneath a hob, the following worktop thicknesses (including substructure if necessary) must be taken into account.

Hob type	min. worktop thickness	
	fitted	flush
Induction hob	37 mm	38 mm
Full surface Induction hob	47 mm	48 mm
Gas hob	30 mm	38 mm
Electric hob	27 mm	30 mm