

Type 22 Double Panel Premium Compact Radiator

Fitted top grille and end panels for solid construction and improved appearance. Brackets, fixings, blanking plug and air vent included. Powder coated white finish.

Type 22 Double Panel Premium Compact Radiator

600(h) x 1000(w) mm

Fitted top grille and end panels for solid construction and improved appearance. Brackets, fixings, blanking plug and air vent included. Powder coated white finish.

Specification

Double Panel Premium Double Convecter Compact Radiator with 4 connections
Made from high quality steel, in accordance with EN 10130 & EN 10131
Immersion primer, fired in accordance with DIN 55900; high quality powder coating, cured at 180°C
Colour shade: RAL 9016, white
Test pressure: 13 bar, operating pressure: 10 bar
Tested and registered in accordance with BS EN 442
Ideal for low temperature heating

- Defects resulting from the use of the product contrary to the terms in the user manual are not covered by the warranty.
- The guarantee does not cover damages that are due to faulty storage and handling at delivery or installation, nor damages that are due to faulty use of the unadvisable water pressure and water quality, such as use of corrosive substances, too high pressure or damage. The properties that should be in the heating water used in the radiators; pH: (min 9,5 max: 11,5) total hardness: (max.30 ppm) CaCo3 Oxygen: (0 (zero)). If the water parameters to be used are higher than the above values, a water treatment system should be installed in the system. The use of unsuitable heating water is out of warranty.
- The warranty period of the product replaced under warranty is limited to the remaining warranty period of the purchased product.

Conditions of Use and Care

- Panel radiators comply with BS EN 442, and are manufactured under quality management system approved to EN ISO 9001, environmental management system approved to EN ISO 14001 and occupational health and safety management system approved to EN ISO 45001.
- Radiators must be protected against impact and crashing during transport and assembling.
- Storage should not be done in a humid environment and packaging should not be opened during storage.
- Max. working pressure is 10 Bar for horizontal Panel Radiators. For leakage test while assembling the radiators, water should be used max 8 bar pressure with a regulator. Max. working pressure is 70 Bar for Vertical Panel Radiators. Max. working temperature is 110°C.
- Before completing all kinds of painting in rooms, shrink nylon packaging should not be unpacked.
- In order to prevent water noise from your radiator, inlet valve position should be equal to outlet valve position or in slightly more open position.
- Radiators should never left without water because of the corrosion effect. In this case, the radiator is not under warranty.
- In order to get homogen heating from the radiator, the air in the heating water must be thrown out from purger plug with air vent key.
- Excessive tightening of the water connection elements while assembling the radiator can cause damage in the connection elements. Due to that there will be leakage.
- Radiator mounting to the Wall; should be made from connection points on the radiator without harming the paint and with keeping the packaging.
- Be sure that the ambient temperature does not go below 0°C. Freezing of water in the plumbing may damage both the radiator and the plumbing. If the ambient temperature falls below 0°C antifreeze should be added in water plumbing.
- Do not use chemical cleaners with the aim of cleaning surface of the radiator.
- Such items like furniture which is positioned in front of the radiator; prevents air circulation out of the radiator and reduces the heating efficiency.
- Usage in the areas, which are directly contact with water vapour, is not under warranty.

Disclaimer of Guarantee

- Damages and malfunctions caused by the use of the product in violation of the considerations contained in the 'Conditions of Use and Care' section.
- Damage and malfunctions caused by improper installation, faulty plumbing-pipe connections.
- Damages and malfunctions that occur due to falling, impact or any other reason during transportation, loading, unloading, storage and assembly after the product leaves the factory.
- Surface and functional deterioration due to prolonged stay of the products in the environment where construction activities continue.
- Malfunctions and errors in the product due to faulty assembly, maintenance, repair and disassembly made by unauthorized persons.
- Damages and malfunctions caused by natural disasters such as; external impacts, fire lightning, and flood.
- Damages caused by not using the pressure reducer in the installation or if the pressure reducer not working properly.
- Deteriorations in the coating of the product due to insufficient ventilation of the steam, which occurs as a result of cleaning the environment in which the product is used with cleaning products containing acid and abrasive powder, hot water or liquid. Or the deterioration that may occur on the surface as a result of using cleaners containing acid or abrasive substances directly on the product.
- Failures that may occur as a result of the main water and/or environmental temperature of the products falling below 5°C and freezing point. If there is a danger of freezing, no water should be left in the system.
- Stone particles, mud, burrs, sand, etc. coming from the installation in the product and failures caused by impacts or scaling.
- Damages that may occur as a result of climatic conditions, atmospheric events (for example, the effect of humidity and salt at the seaside) or the use of the products outdoors.
- Changing the water in the panel radiator frequently and filling it with fresh water causes corrosion acceleration and thus the rupture of the radiator. In this case, the product is out of warranty. System pressure is constantly decreasing and if you need to fill it, a quick service for the boiler is required.

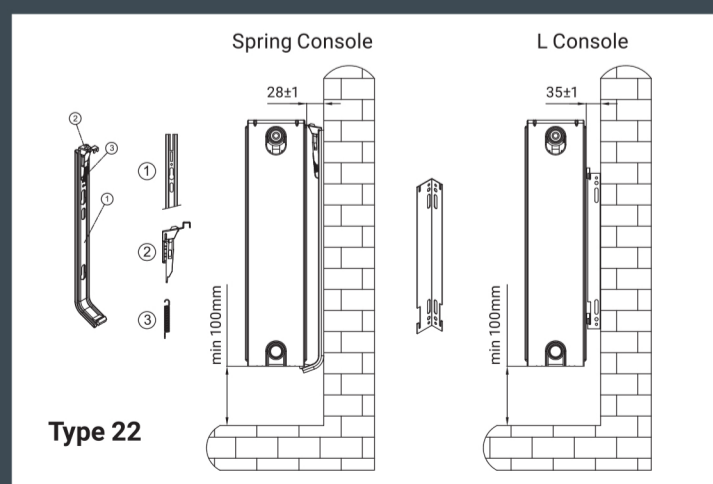
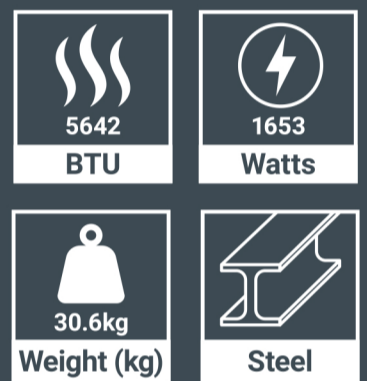
Terms of Guarantee

This is in addition to your statutory rights.

- Each panel radiator and all related parts are guaranteed for 10 years against defects caused by faulty materials or manufacture which starts from the date of delivery.
- Warranty conditions are valid as long as they are connected to a closed installation such as radiators, combi boiler or central heating system. It should not be used in open heating systems such as steam, thermal water, superheated water or mains.
- In the event that the product fails due to material and workmanship or manufacturing faults within the warranty period, repairs will be made free of charge under any other name, such as labour cost, replacement part cost or any other name.

Important Warning

When the radiators are first connected to the installation, they should be tested for leakage and other faults on time and should be observed during the test. Even if a pressure reducer is used in the installations, the test should not be performed directly connected to the mains installation. The boiler must be connected to a closed system heat source such as central heating. After checking the installation, the system should never be left under pressure. Radiators are out of warranty if the above-mentioned conditions occur. The warranty certificate is valid only for malfunctions that may occur in the radiator. Wickes cannot be held responsible for any other damage. No rights or compensation can be claimed.



Wickes
Vision House
Colonial Way
Watford
WD24 4JL
wickes.co.uk



BC:2024-02
295957