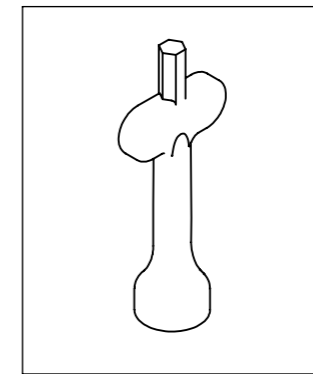


Top Fix Waste Instructions

Thank you for buying our patented product, we hope you will enjoy the easy installation.

Recommended items for installation:

1x 14mm Socket Tool (Supplied)
1x Screwdriver



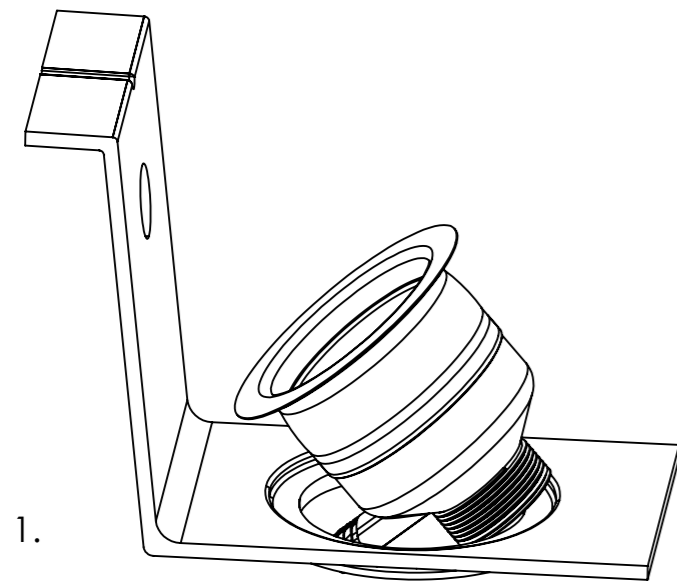
1. Simply drop the waste in from above.
2. Place the Tool on the bolt and tighten the nut ensuring not to over tighten. (If using a power drill, we recommend a torque setting of 5 for optimal fitting.)
3. Fit and connect the overflow.
4. Job done.



CAUTION: IF A POWER DRILL IS USED DO NOT EXCEED TORQUE SETTING 5

TORQUE SETTINGS MAY VARY AS PER BRAND. TOOL PROVIDED IS PREFERRED.

FITS SINK THICKNESSES OF 0.5MM TO 15MM



PATENTED ✓
TOP-FIX
WASTES & FIXINGS

