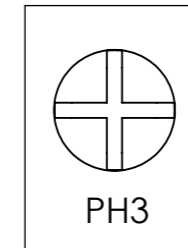


Top Fix Shower Waste Instructions

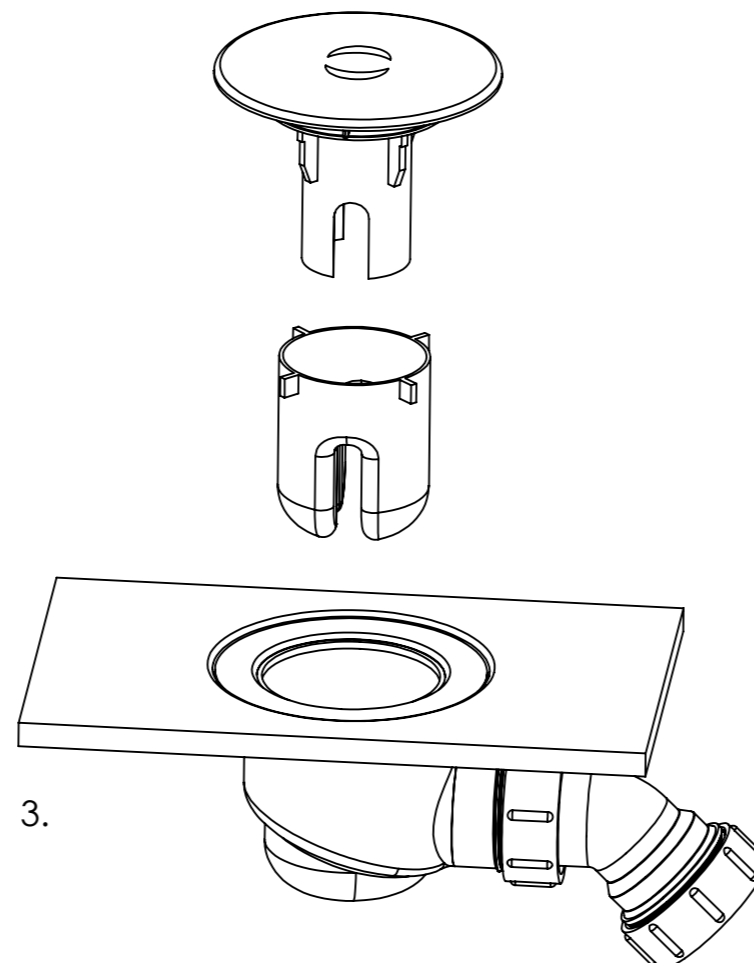
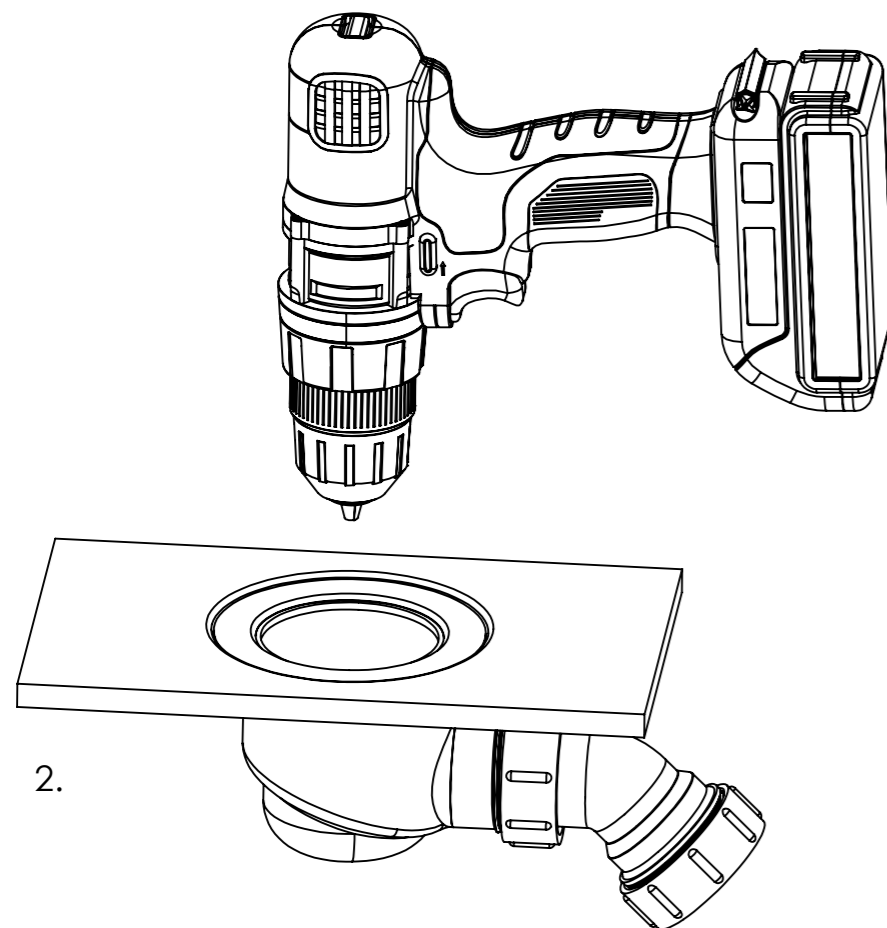
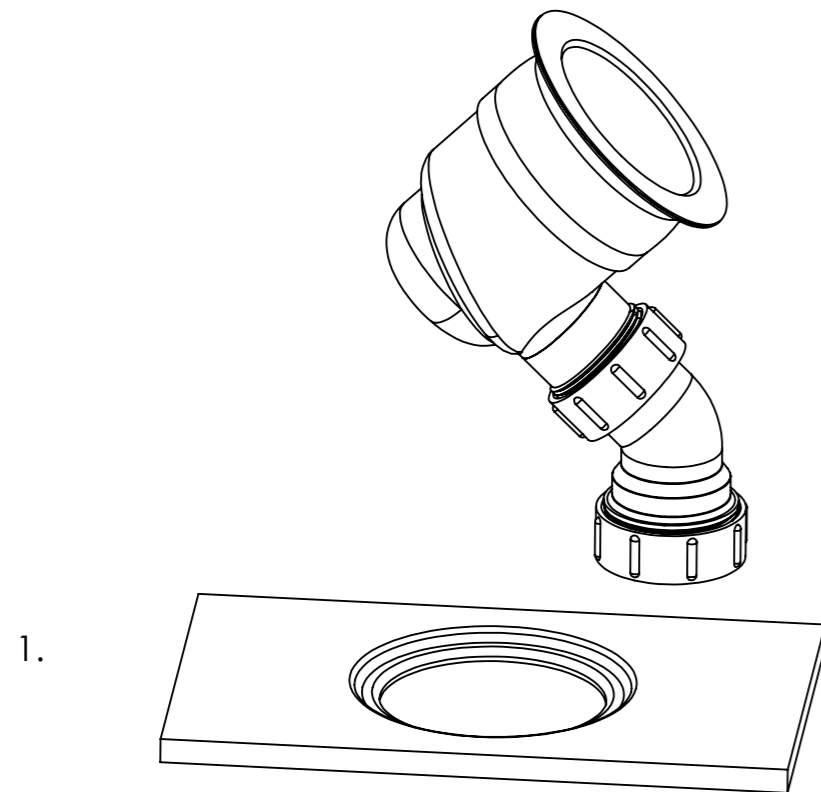
Thank you for buying our patented product, we hope you will enjoy the easy installation.

Recommended items for installation:

1x PH3 Driver
or
1x PH3 attachment for a drill.



PATENTED ✓
TOP-FIX
WASTES & FIXINGS



1. Simply drop the waste in from above.
2. Using a PH3 driver tighten the screw ensuring not to over tighten. (If using a power drill, we recommend a torque setting of 10 for optimal fitting.)
3. Insert trap and cover. Job Done.

Recommendation: Fit the waste prior to any pipework, ensuring the waste remains central/in alignment with the hole.

After completing the waste pipework ensure the waste hasnt moved prior to wet testing.



CAUTION: IF A POWER DRILL IS USED DO NOT EXCEED TORQUE SETTING 10

TORQUE SETTINGS MAY VARY AS PER BRAND.

FITS SHOWER TRAY THICKNESSES OF 0.5MM TO 15MM