

# MOL BSM C

## MOLIDA Tap Range Molida Bath Shower Mixer Chrome



### Features:

- Includes a handset that's easy to keep pristine, with rub-clean nozzles for effortless removal of limescale and debris
- Install with confidence using a robust metal fixing nut that keeps your tap securely in place
- Experience smooth, reliable operation thanks to the long-life ceramic disc valves
- Enjoy lasting brilliance with our flawless, scratch-resistant chrome finish that's salt spray tested for durability
- Built to last, backed by a lifetime parts and 1-year labour guarantee

### Product Certifications:



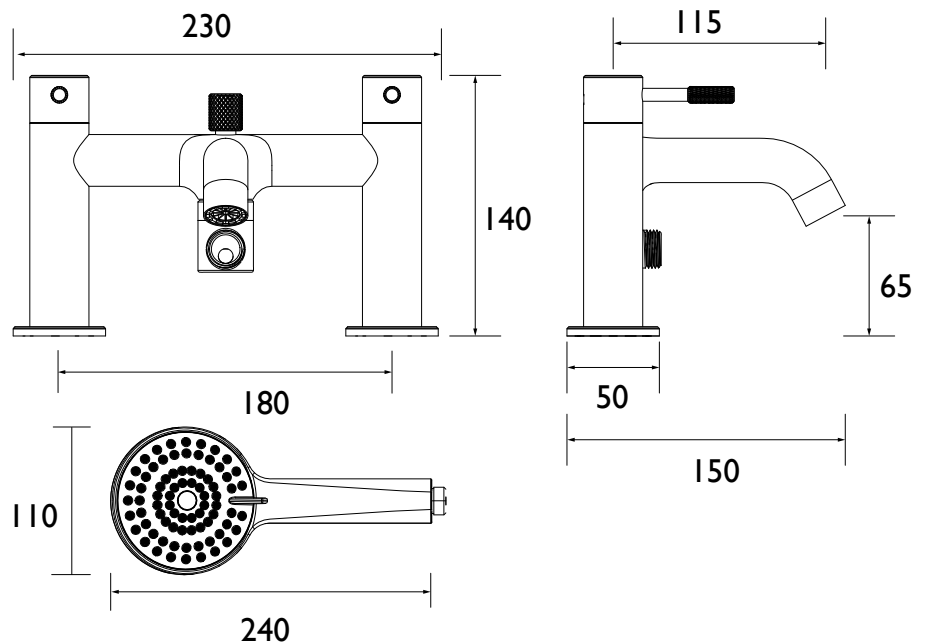
For more products, visit our website:  
<http://www.bristan.com>



### Specification

<b>Product Type:</b>	Bathroom Tap
<b>Main Construction Material:</b>	Brass
<b>Mount Type:</b>	Deck
<b>Handle Type:</b>	Lever
<b>Connection Inlet:</b>	3/4" BSP
<b>Connection Outlet:</b>	M24 Aerator
<b>Number of Tap Holes:</b>	2
<b>Hose Length (mm):</b>	1500
<b>Valve/Cartridge Type:</b>	3/4" Ceramic Disc Valve - 1/4 turn
<b>Plumbing System Requirements:</b>	Suitable for all plumbing systems
<b>Minimum Dynamic Pressure (bar):</b>	0.2 bar
<b>Maximum Dynamic Pressure (bar):</b>	5 bar
<b>Maximum Hot Water Temperature °C:</b>	60°C
<b>Maximum Static Pressure (bar):</b>	10 bar
<b>Flow Type:</b>	Single
<b>Isolation Included:</b>	No

### Dimensions (measurements in mm)



### Flow Rates (l/min)

System Pressure (bar)	0.2	0.5	1	2	3	5
Through Bath Filler (mixed)	12.3	21.6	32.3	44.7	54.8	70.7
Through Handset (mixed)	3.4	5.8	8.5	12.9	16.5	22.8

## TECHNICAL DATA SHEET



# BRISTAN

D3