

# 311719

# MILA Tap Range

Mila Bath Filler  
Tap Black



## Specification

|  |                                    |
|--|------------------------------------|
| <b>Product Type:</b>                     | Bathroom Taps                      |
| <b>Main Construction Material:</b>       | Brass; ABS; Stainless Steel        |
| <b>Mount Type:</b>                       | Deck                               |
| <b>Handle Type:</b>                      | Round                              |
| <b>Connection Inlet:</b>                 | 3/4" BSP                           |
| <b>Connection Outlet:</b>                | M22 Cache Flow Straightener        |
| <b>Number of Tap Holes:</b>              | 2                                  |
| <b>Valve/Cartridge Type:</b>             | 3/4" Ceramic Disc Valve - 1/4 turn |
| <b>Plumbing System Requirements:</b>     | Suitable for all plumbing systems  |
| <b>Minimum Dynamic Pressure (bar):</b>   | 0.2 bar                            |
| <b>Maximum Dynamic Pressure (bar):</b>   | 5 bar                              |
| <b>Maximum Hot Water Temperature °C:</b> | 60°C                               |
| <b>Maximum Static Pressure (bar):</b>    | 10 bar                             |
| <b>Flow Type:</b>                        | Single                             |
| <b>Isolation Included:</b>               | No                                 |

## Features:

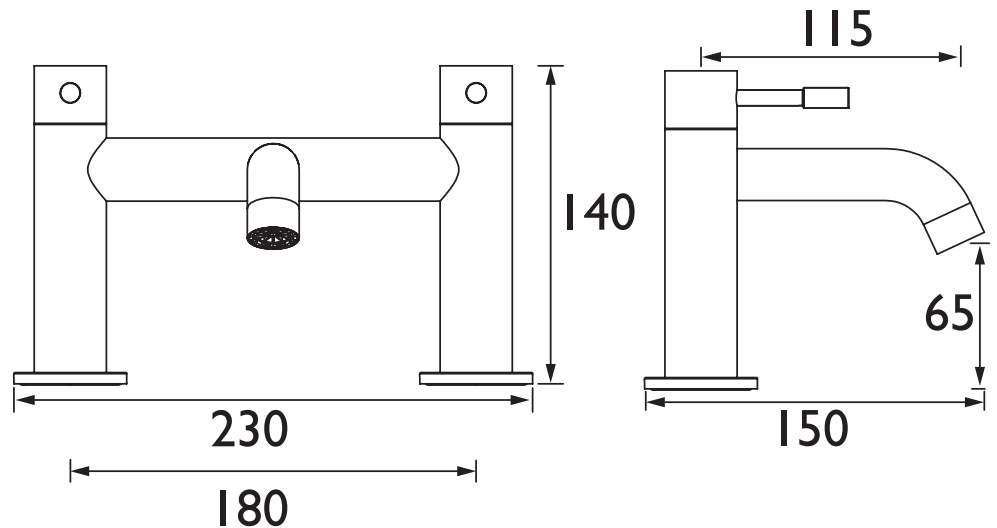
- Install with confidence using a robust metal fixing nut that keeps your tap securely in place
- Experience smooth, reliable operation thanks to the long-life ceramic disc valves
- Create a contemporary, minimalist look with the bold matt black finish
- Built to last, backed by a lifetime parts and 1-year labour guarantee
- Find your perfect match with other finish options available

## Product Certifications:

For more products, visit our website:  
<http://www.bristan.com>



## Dimensions (measurements in mm)



## Flow Rates (l/min)

| System Pressure (bar) | 0.2  | 0.5  | 1    | 2    | 3    | 5     |
|-----------------------|------|------|------|------|------|-------|
| 311719 (mixed)        | 19.9 | 32.8 | 46.9 | 66.8 | 80.3 | 103.7 |

# TECHNICAL DATA SHEET



# BRISTAN

D1