

# ELE BAS C

## ELEVAR Tap Range

Elevator Basin Mixer with Clicker Waste Chrome



### Features:

- Save water without compromising performance thanks to the built-in 5L flow regulator.
- Supplied with everything you need for a hassle-free installation, including flexible tails and clicker waste
- Install with confidence using a robust metal fixing nut that keeps your tap securely in place
- Experience smooth, reliable operation thanks to the long-life ceramic cartridge
- Enjoy lasting brilliance with our flawless, scratch-resistant chrome finish that's salt spray-tested for durability

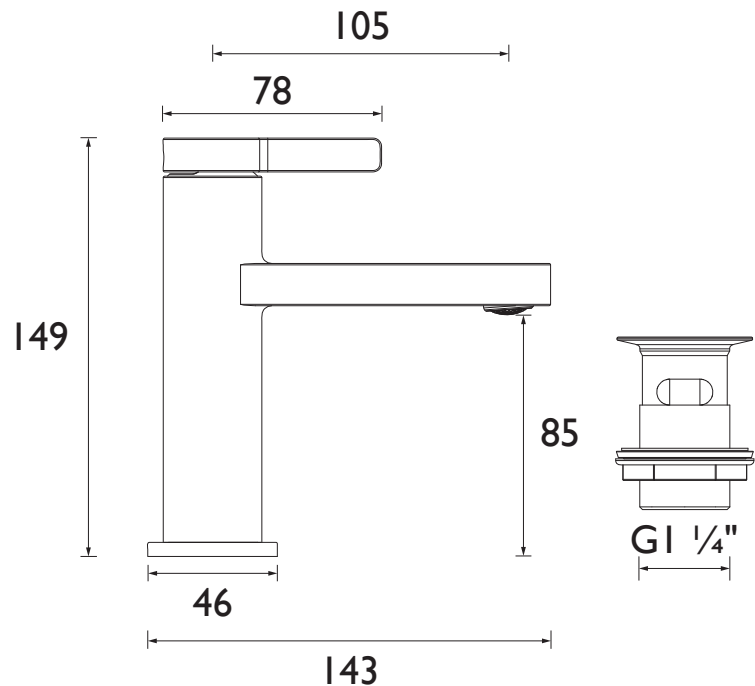
### Product Certifications:



### Specification

|  |                                   |
|--|-----------------------------------|
| <b>Product Type:</b>                     | Bathroom Taps                     |
| <b>Main Construction Material:</b>       | Brass; ABS; Stainless Steel       |
| <b>Mount Type:</b>                       | Deck                              |
| <b>Handle Type:</b>                      | Lever                             |
| <b>Connection Inlet:</b>                 | 1/2" BSP Flexible Tails           |
| <b>Connection Outlet:</b>                | M24 5lpm Flow Limited Aerator     |
| <b>Number of Tap Holes:</b>              | 1                                 |
| <b>Valve/Cartridge Type:</b>             | 25mm Single Lever Cartridge       |
| <b>Plumbing System Requirements:</b>     | Suitable for all plumbing systems |
| <b>Minimum Dynamic Pressure (bar):</b>   | 0.5 bar                           |
| <b>Maximum Dynamic Pressure (bar):</b>   | 5 bar                             |
| <b>Maximum Hot Water Temperature °C:</b> | 60°C                              |
| <b>Maximum Static Pressure (bar):</b>    | 10 bar                            |
| <b>Flow Type:</b>                        | Single                            |
| <b>Isolation Included:</b>               | No                                |

### Dimensions (measurements in mm)



### Flow Rates (l/min)

| System Pressure (bar) | 0.5 | 1 | 2   | 3   | 5   |
|-----------------------|-----|---|-----|-----|-----|
| ELE BAS C (mixed)     | 2.9 | 4 | 4.9 | 4.8 | 5.1 |

TECHNICAL  
DATA  
SHEET



# BRISTAN

D3