

311735

CRAZE Shower Range Craze Adjustable Rigid Riser Diverter Bar Shower Black



Specification

Finish/Colour:	Black
Main Construction Material:	ABS; Zinc Alloy
No of Controls:	2
Shower Type:	Bar Shower
Shower Head Type:	Fixed Head
Shower Kit:	Adjustable Rigid Riser with Single Function Handset
Valve/Cartridge Type:	Thermostatic Cartridge & Two-Way Diverter
Maximum Hot Water Supply Temperature °C:	60
Plumbing System Suitability:	Suitable for high pressure systems
Minimum Dynamic Pressure (bar):	1
Maximum Dynamic Pressure (bar):	5
Maximum Static Pressure (bar):	10
Connection Inlet:	1/2" Compression
Connection Outlet:	G1/2" and Riser Pipe
Isolation Valve Included:	Yes
Check Valve Included:	Yes

Features:

- Enjoy peace of mind with a 38°C safety stop, including override when required
- Fast, hassle-free installation with built-in front facing isolation valves that make it easy to fit, maintain and replace.
- Supplied with everything you need, including hose, height adjustable riser rail, a rub-clean anti-limescale shower rose and single function handset
- Control your perfect shower experience with separate flow and temperature controls for precise adjustment
- Built to last, backed by a lifetime parts and 1-year labour guarantee

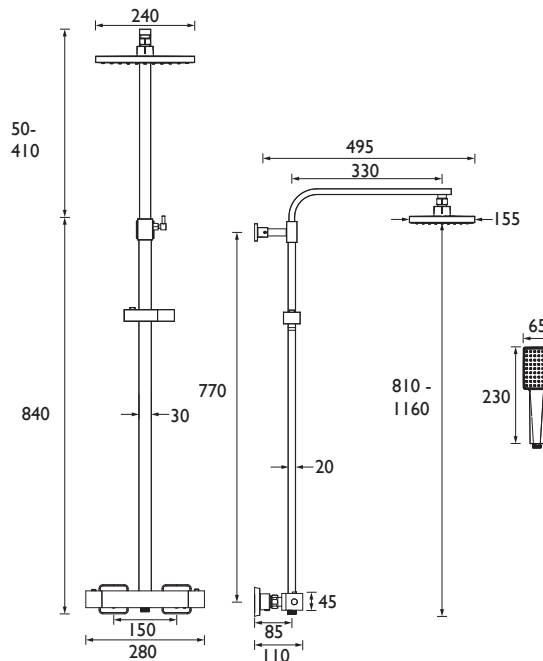
Product Certifications:



WRAS Certificate No: 2209901
WRAS Expiry Date: 30/09/2027



Dimensions (measurements in mm)



Flow Rates (l/min)

System Pressure (bar)	1	2	3	5
Through Handset (mixed)	6.9	10.2	12.7	16.8
Through Fixed Head (mixed)	6.9	10.2	12.8	16.8

For more products,
visit our website:
<http://www.bristan.com>



TECHNICAL DATA SHEET



BRISTAN

D5