

311737

CAPRI Shower Range Capri3 Thermostatic Exposed Shower Valve with Riser Kit Chrome



Features:

- Enjoy peace of mind with a 42°C safety stop, including override when required
- Shower safely with automatic shut-off protection if hot or cold water supply fails
- Includes a single function handset that's easy to keep pristine, with rub-clean nozzles for effortless removal of limescale and debris
- Effortless fitting with adjustable brackets that reuse existing screw holes
- Built to last, backed by a lifetime parts and 1-year labour guarantee

Product Certifications:



WRAS Certificate No: 240403011
WRAS Expiry Date: 30/04/2029



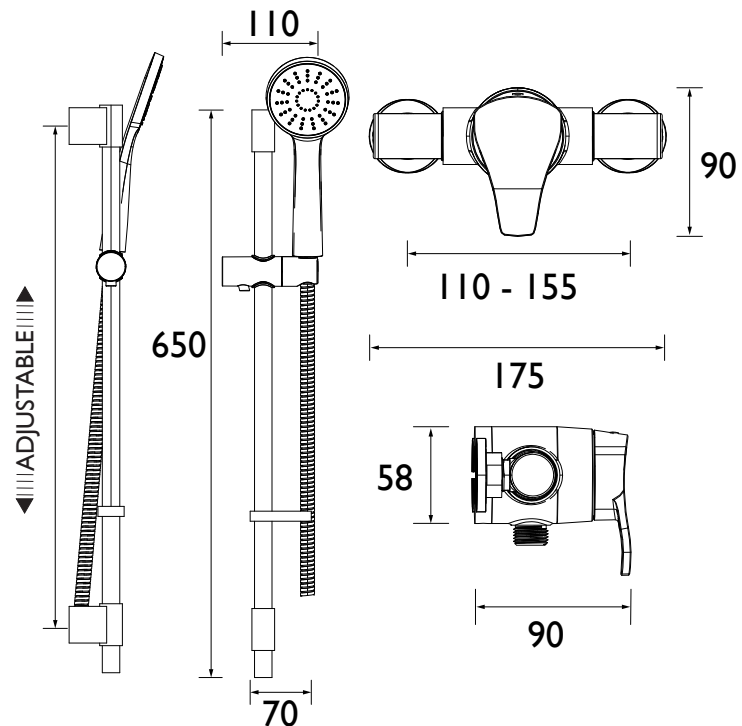
TMV2 Certificate No: 2503305
TMV2 Designation: HP-SE
TMV2 Expiry Date: 16/03/2030



Specification

Finish/Colour:	Chrome Plated
Main Construction Material:	Brass; ABS; Stainless Steel
No of Controls:	1
Shower Type:	Sequential Mini valve
Shower Kit:	Adjustable Riser with Handset
Valve/Cartridge Type:	Sequential Cartridge
Maximum Hot Water Supply Temperature °C:	60
Plumbing System Suitability:	Suitable for all plumbing systems, ideally balanced
Minimum Dynamic Pressure (bar):	0.2
Maximum Dynamic Pressure (bar):	5
Maximum Static Pressure (bar):	10
Connection Inlet:	15mm Compression
Connection Outlet:	G 1/2"
Isolation Valve Included:	No
Check Valve Included:	Yes

Dimensions (measurements in mm)



Flow Rates (l/min)

System Pressure (bar)	0.2	0.5	1	2	3	5
Through Handset (mixed)	1.4	3.1	4.3	6.1	7.5	9.7

TECHNICAL DATA SHEET



BRISTAN

D4