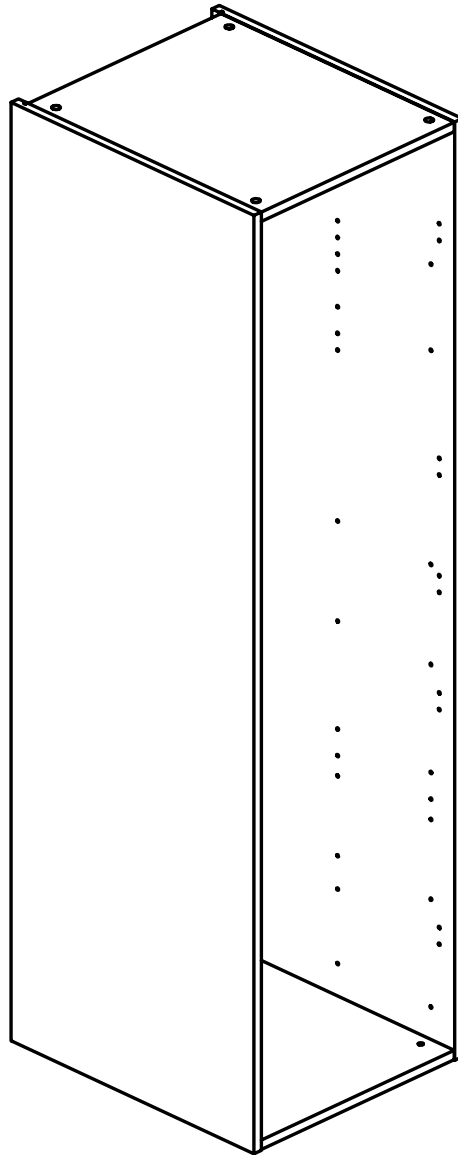


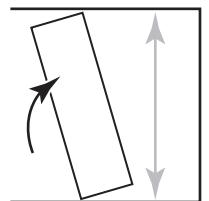
# 1800 Single Carcase

Important: Retain these instructions for future reference

311753



minimum  
ceiling height  
of **1958mm**



Important: Please read these instructions fully before starting to assembly

# Safety and Care Advice

Important - Please read these instructions fully before starting assembly

- Warning: This unit is heavy. Please lift with care.
- Check you have all the components and tools listed.
- Remove all fittings from the plastic bags and separate them into their groups.
- Keep children and animals away from the work area, small parts could choke if swallowed.
- Installation shall be carried out exactly according to the manufacturers instructions otherwise a safety risk can occur if incorrectly installed.

- Parts of the assembly will be easier with 2 people.
- Make sure you have enough space to layout the parts before starting.
- Assemble the item as close to its final position (in the same room) as possible.
- Assemble on a soft level surface to avoid damaging the unit or your floor (use opened out unit carton).
- Dispose of all packaging carefully and responsibly. All packaging can be recycled.



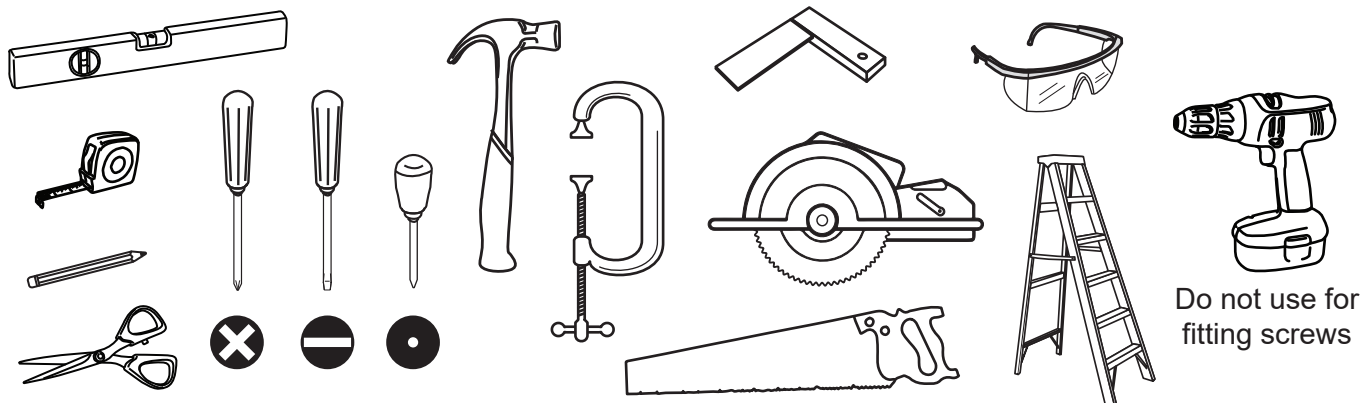
• We do not recommend the use of power drill/drivers for inserting screws, as this could damage the unit. Only use hand screwdrivers.

• **Safety note: This unit must be secured to a wall using the brackets supplied.**

## Care and maintenance

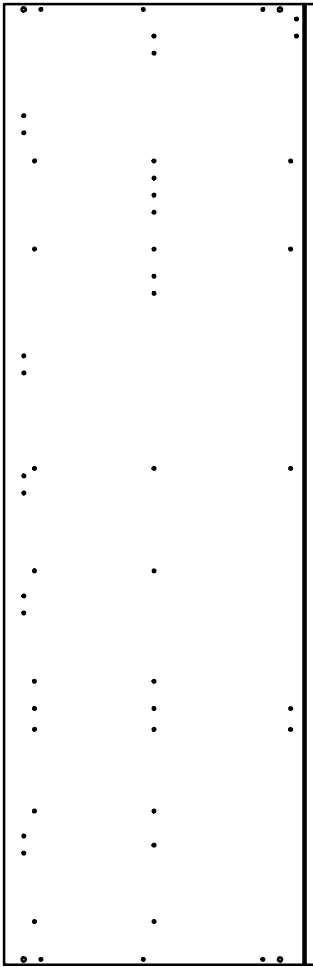
- Only clean using a damp cloth and mild detergent, do not use bleach or abrasive cleaners.
- From time to time check that there are no loose screws on this unit.
- This product should not be discarded with household waste. Take to your local authority waste disposal centre.

## Tools



# Panels

Please check you have all the panels listed below



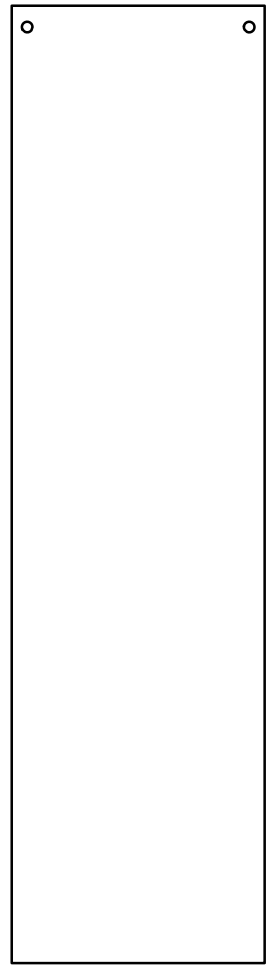
DF-00035667

**1** 180 x 58.3cm



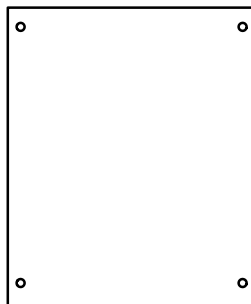
DF-00035673

**2** 180 x 58.3cm



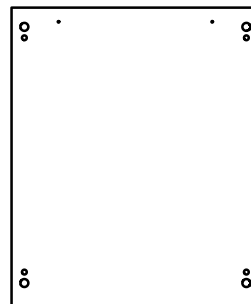
XDF-00035670

**3** 179.4 x 47.4cm



DF-00035672

**4** 46.4 x 56cm

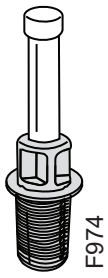


DF-00035674

**5** 46.4 x 56cm

# Fittings

Please check you have all the fittings listed below



F974

**A** x 8



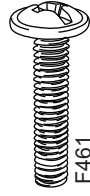
F653

**B** x 8



F592

**C** x 12



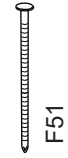
F461

**D** x 2



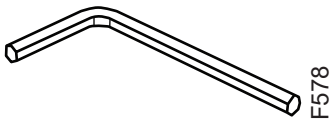
F432

**E** x 2



F51

**F** x 6



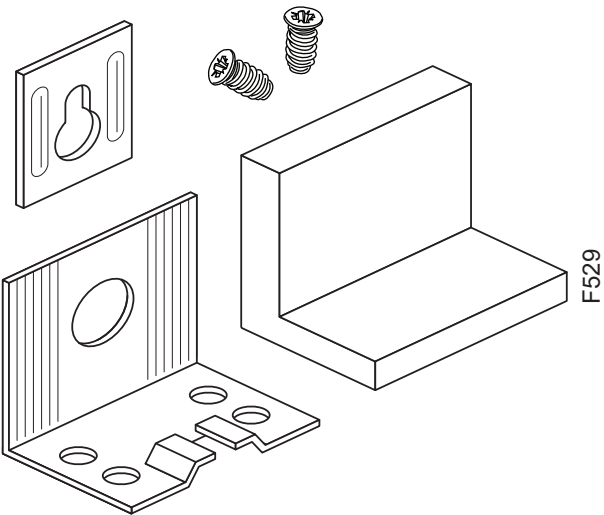
F578

**G** x 1



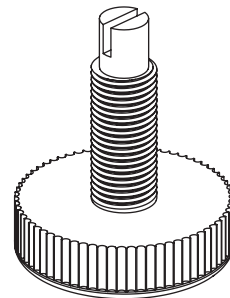
F639

**H** x 12



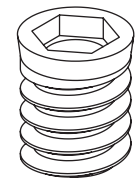
F529

**I** x 2



F597

**J** x 4

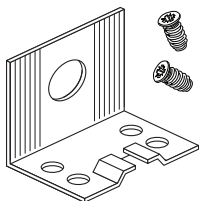


F598

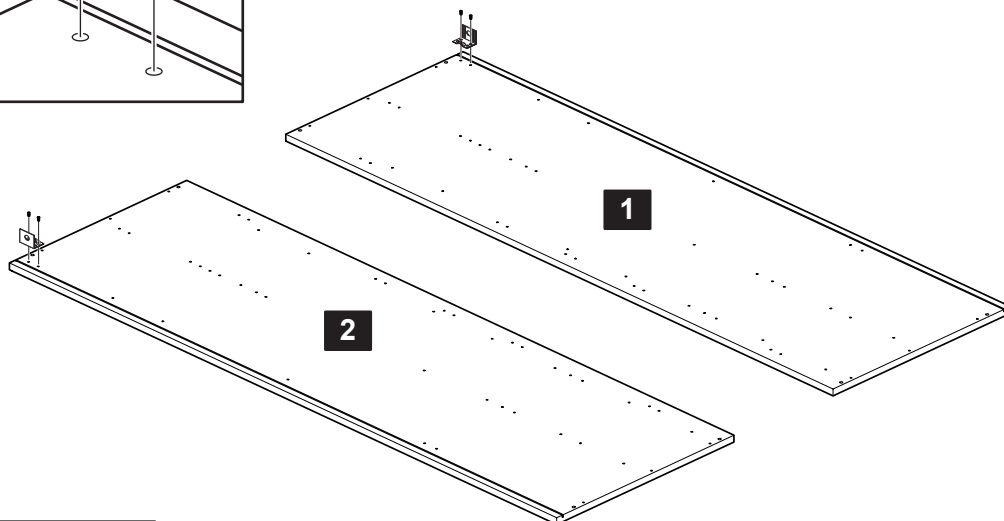
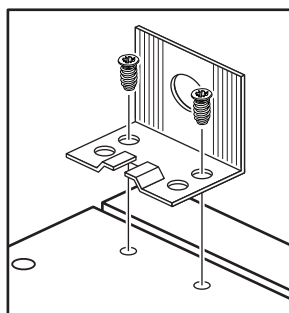
**K** x 4

# Carcase Assembly

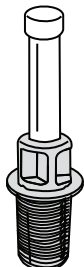
## 01



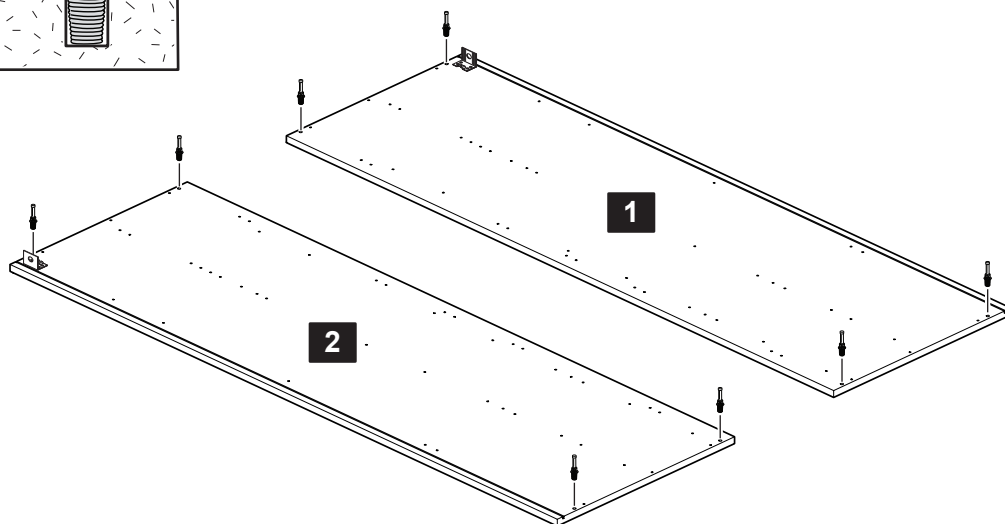
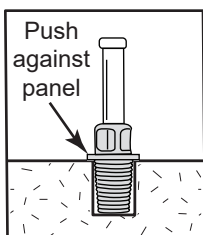
**1** x 2



## 02



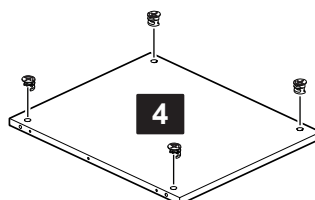
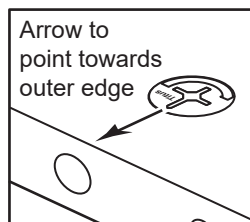
**A** x 8



## 03

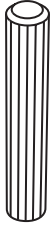


**B** x 4

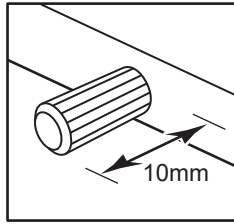


# Carcase Assembly

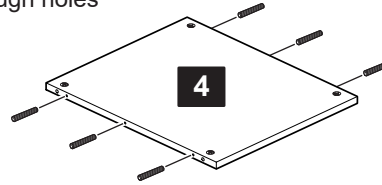
## 04



**C** x 6



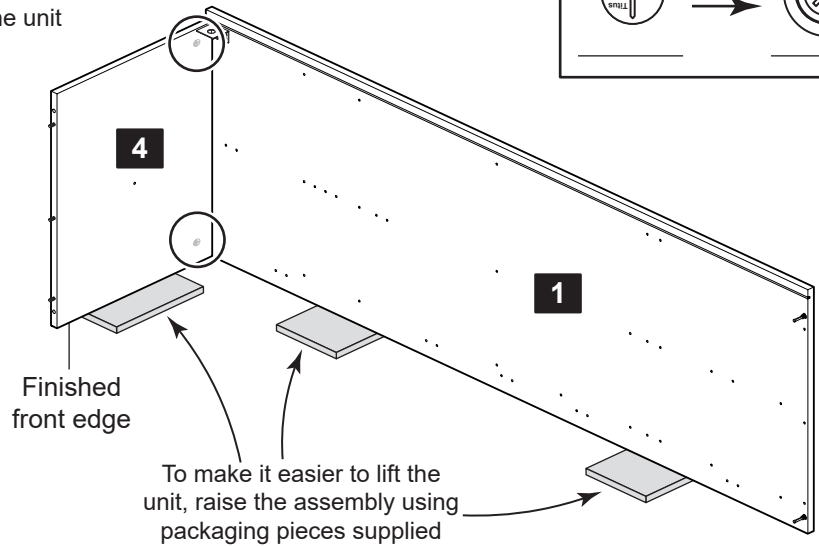
**NOTE:** Panel 4 has no through holes



## 05

**NOTE:** Cams should be on the outside of the unit

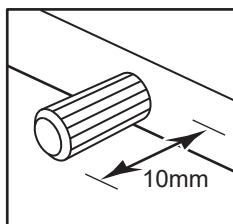
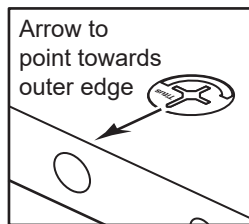
Turn the cam clockwise until the arrow matches the position shown



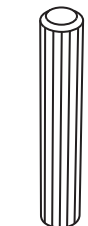
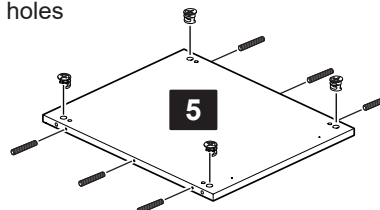
## 06



**B** x 4



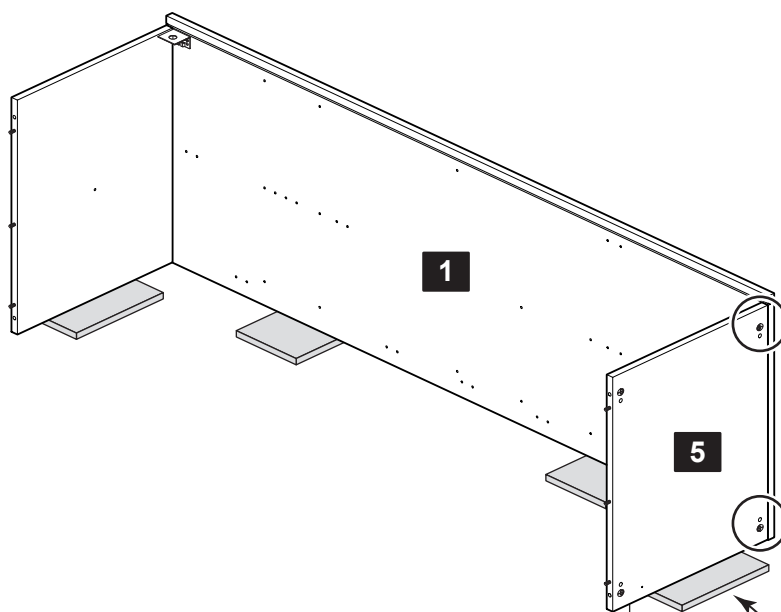
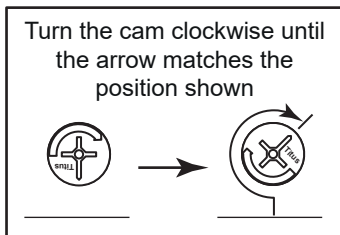
**NOTE:** Panel 5 has through holes



**C** x 6

# Carcase Assembly

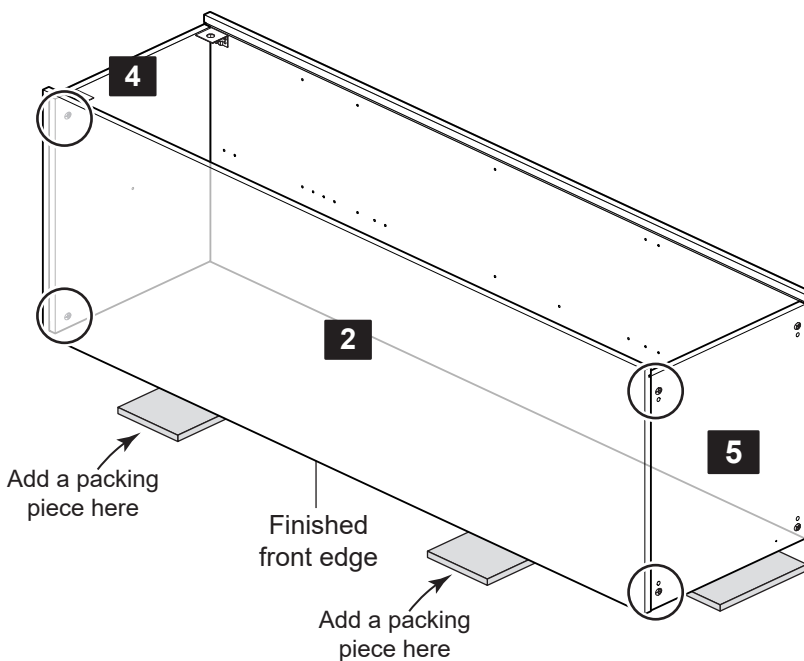
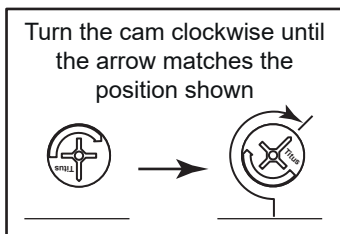
## 07



Finished front edge

Add a packing piece here

## 08



Add a packing piece here

Finished front edge

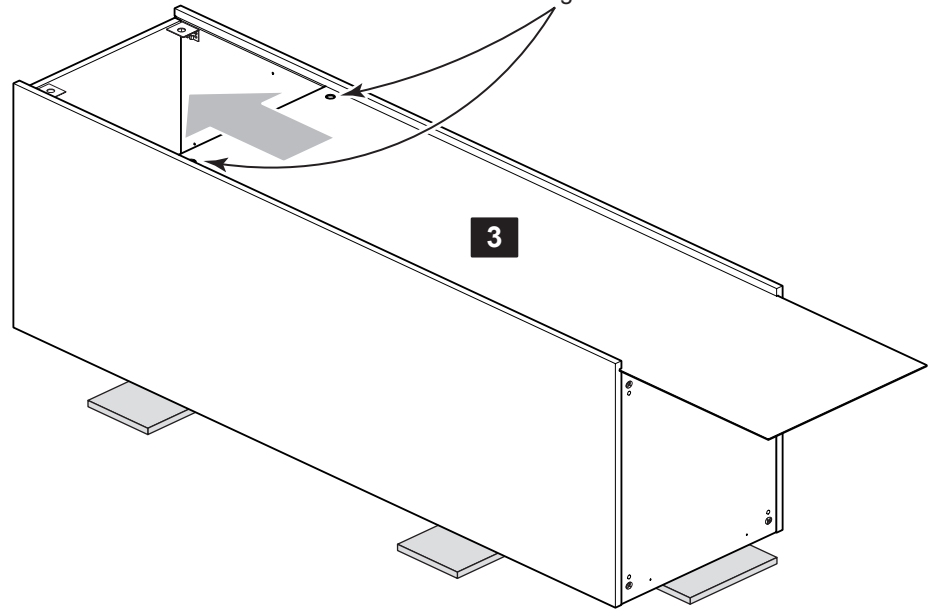
Add a packing piece here

# Carcase Assembly

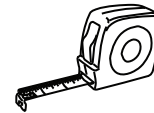
## 09

**NOTE:** Ensure the Back panel is positioned so the holes line up with the Brackets

Use the holes to help guide the Back Panel into the grooves

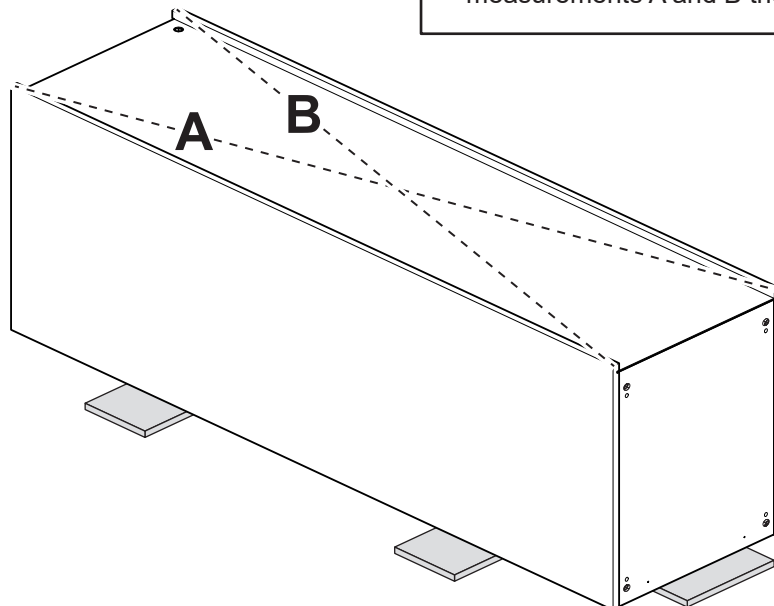


## 10



**A = B**

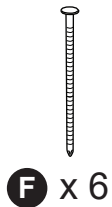
Before securing the Back panel, ensure the unit is square by making measurements A and B the same



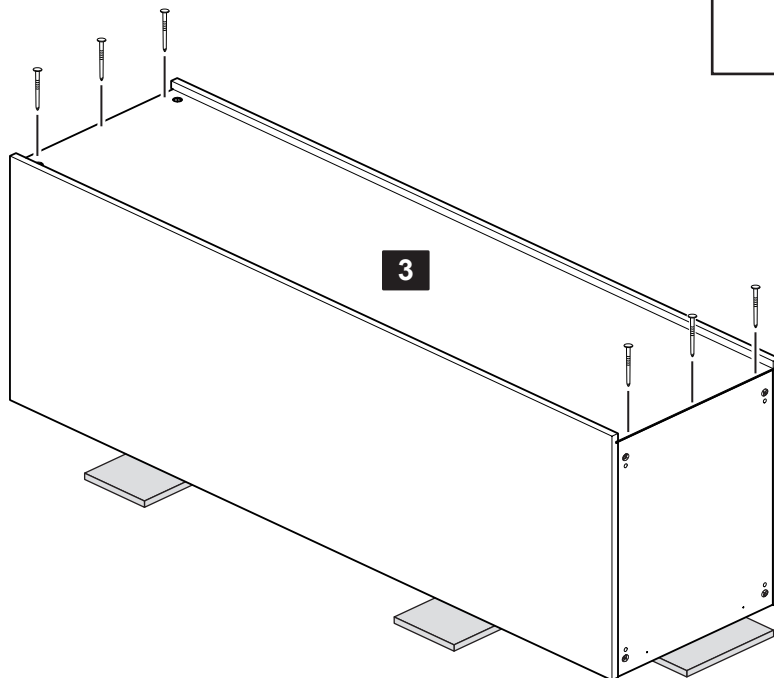
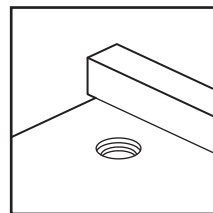


# Carcase Assembly

# 11



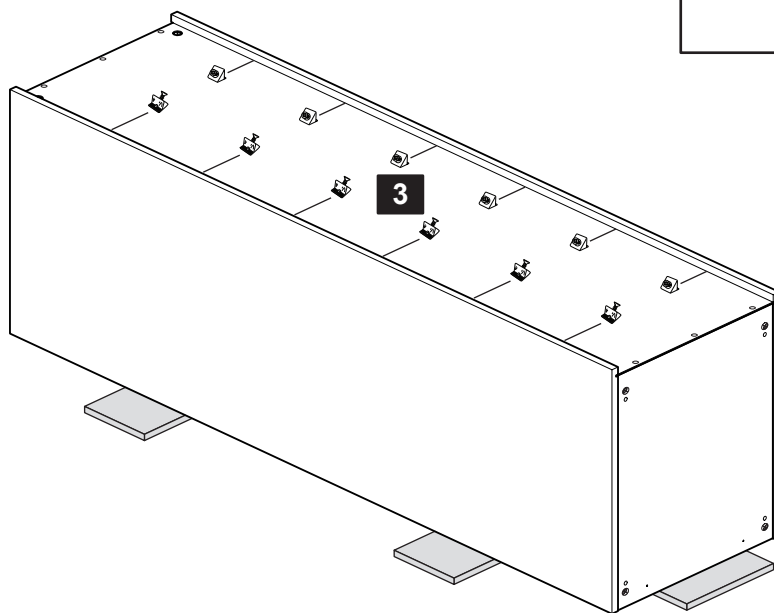
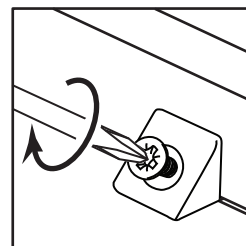
**IMPORTANT:**  
Ensure Brackets are accessible  
through holes



# 12



**H** x 12



# Carcase Assembly

## 13

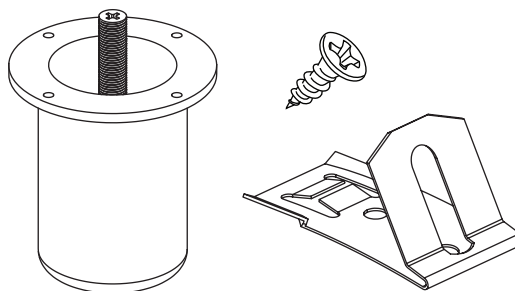
Consider your configuration and the add-ons purchased, choose the appropriate option and follow the indicated steps.

- A** If the unit will be fitted on top of another unit.  
Follow step 20 - 21



- B** If you have purchased decor ends or the taller foot, and option A does not apply.  
Follow steps 14 - 16

Purchased separately 311785

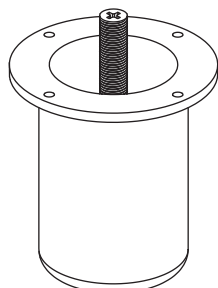


- C** If neither of the above applies.  
Follow steps 17 - 19

# Carcase Assembly

# 14

Refer to Step 13, only follow if option B applies.



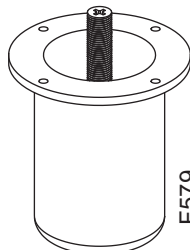
**L** x 4



**M** x 16

Purchased separately

311785



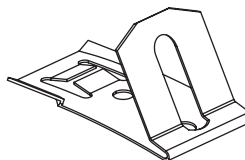
F579

**L** x 4



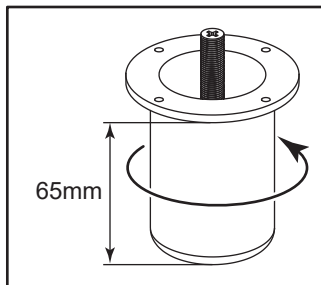
F63

**M** x 18

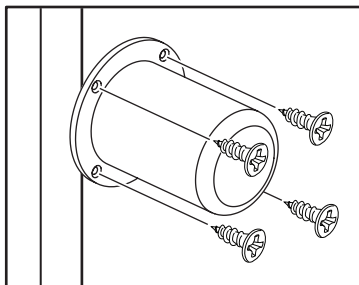


F596

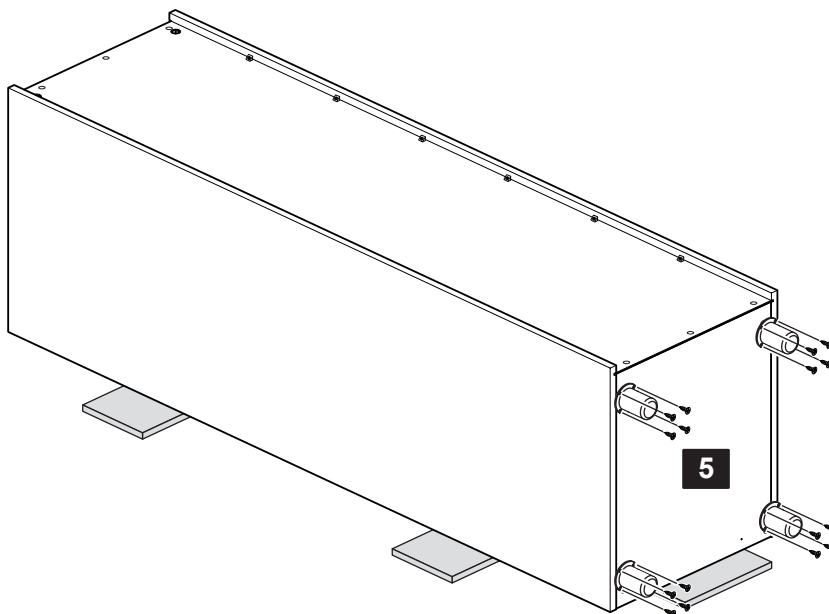
**N** x 2



65mm



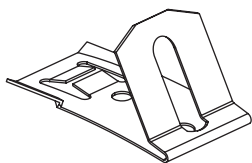
**NOTE:** Use a bradawl to mark the hole positions and help start the screws



# Carcase Assembly

## 15

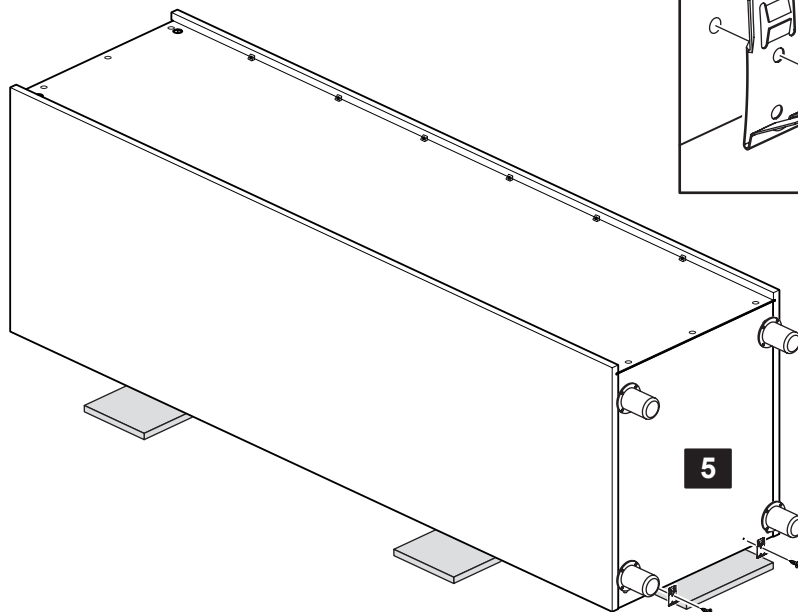
If you are fitting a plinth follow this step, otherwise move to the next step.



**N** x 2



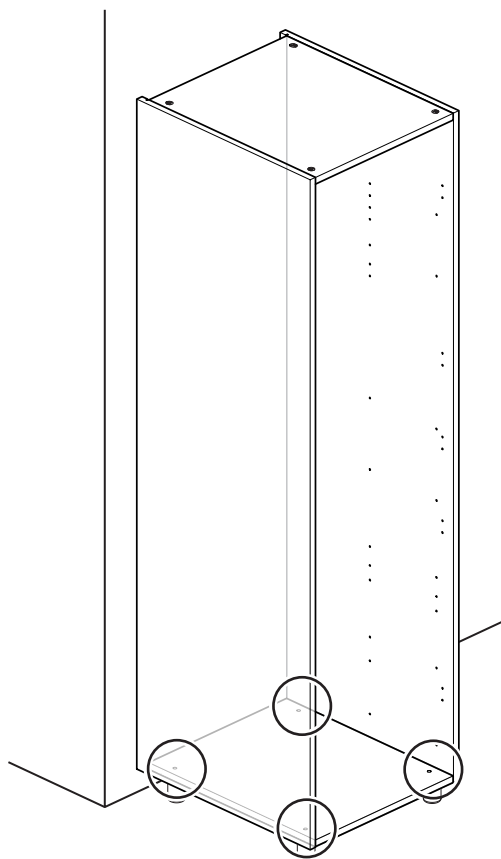
**M** x 2



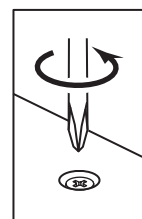
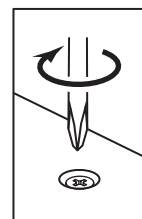
## 16



Carefully stand the unit up and place it in its final position.



If the unit is not level, adjust the feet from inside the unit.

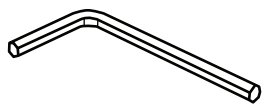


Go to step 22

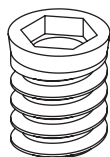
# Carcase Assembly

## 17

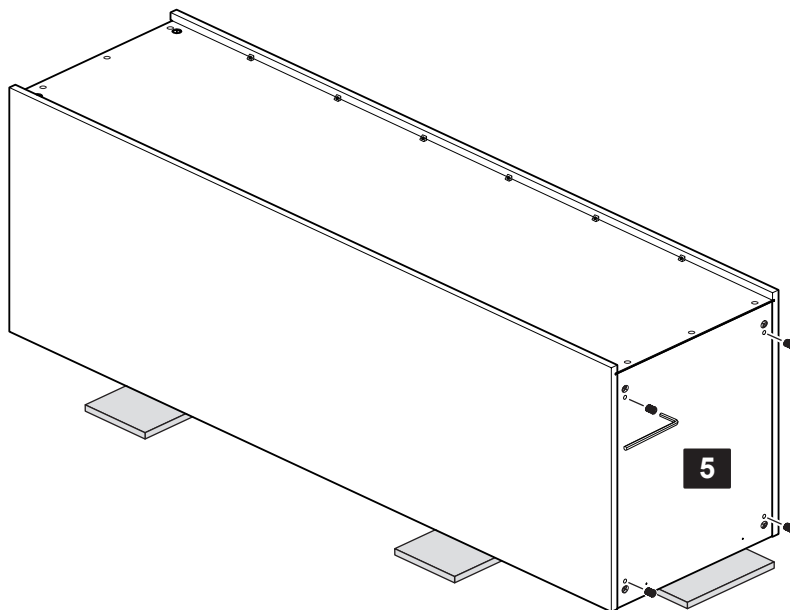
Refer to Step 13, only follow if option C applies.



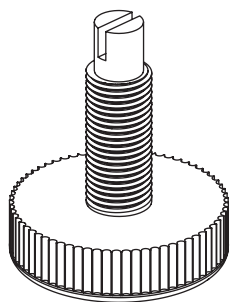
**G** x 1



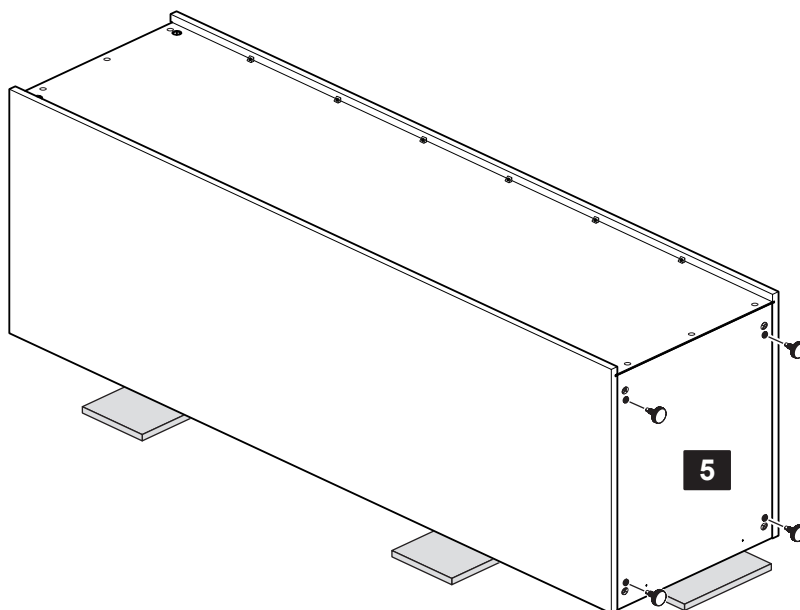
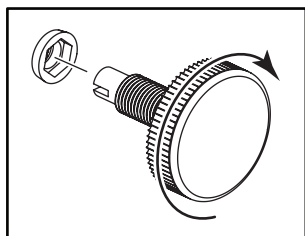
**K** x 4



## 18



**J** x 4

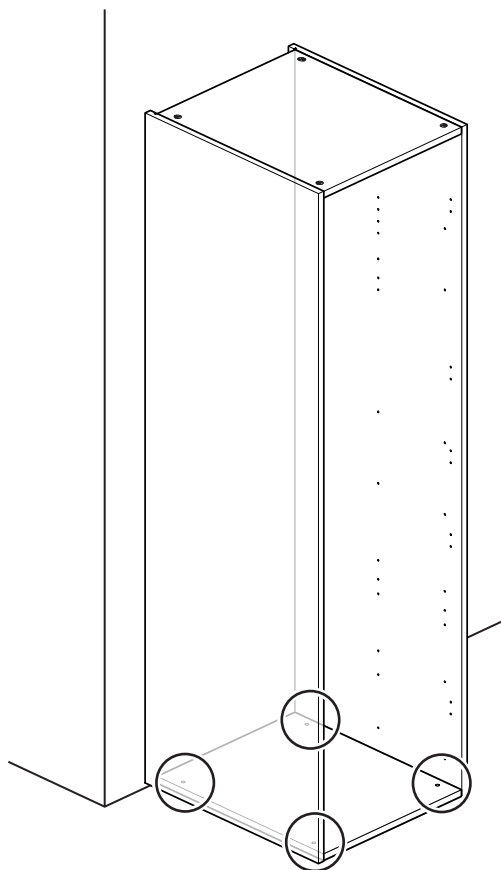


# Carcase Assembly

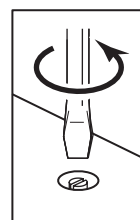
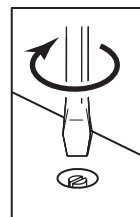
# 19



Carefully stand the unit up and place it in its final position.



If the unit is not level, adjust the feet from inside the unit.



Go to step 22

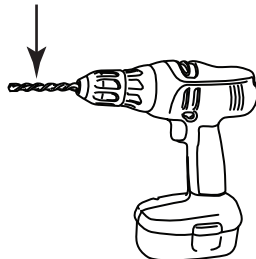
# Carcase Installation

## 20

Refer to Step 13, only follow if option A applies.



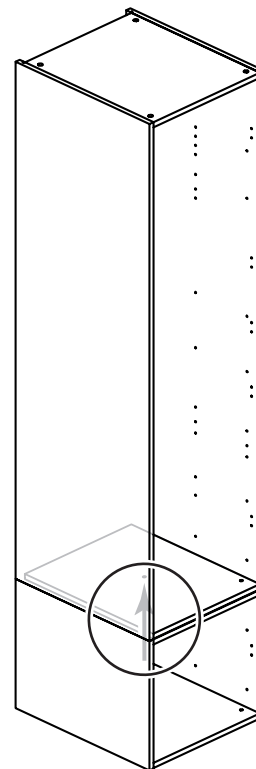
5mm drill-bit



Carefully place this unit on top of the other unit, making sure that the back edges are flush with each other.

Using a 5mm drill-bit, drill through the 2 holes in the Top panel of the Base unit and through the Base panel of the Top unit.

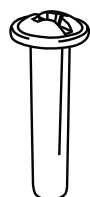
**NOTE:** To reduce the possibility of any breakout, we recommend the use of a small piece of waste wood placed behind the hole while drilling.



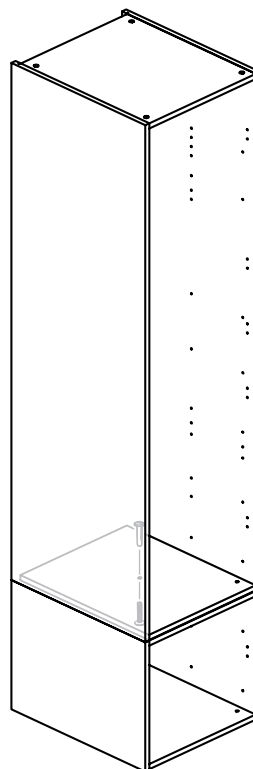
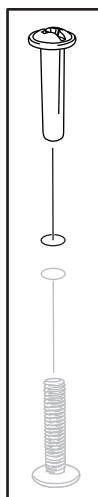
## 21



**D** x 1



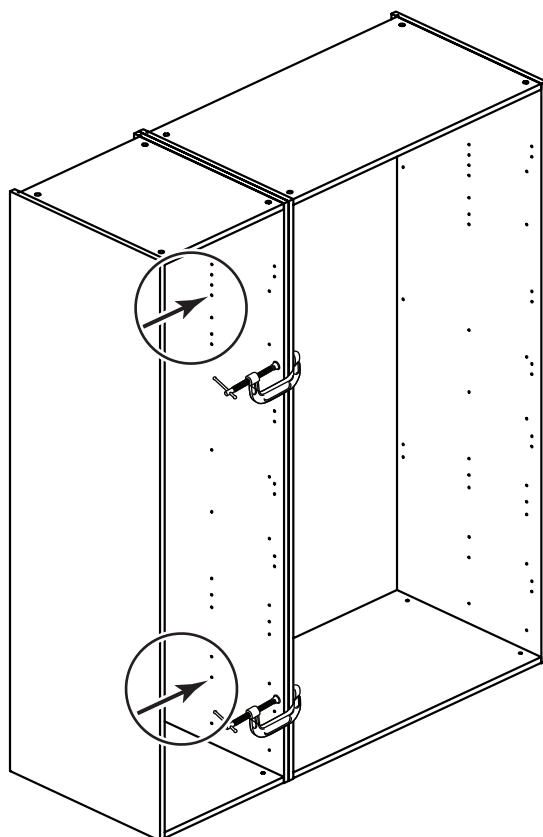
**E** x 1



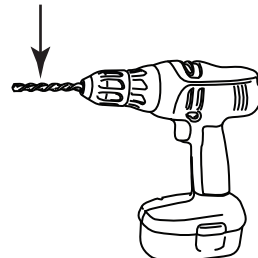
# Carcase Installation

## 22

Only follow steps 22 and 23 if you are fitting two carcasses next to each other.



5mm drill-bit

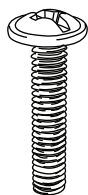
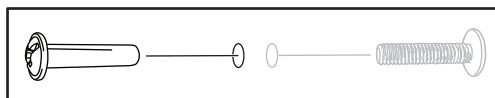


Ensure units are flush with each other and that both units are level, then clamp them together.

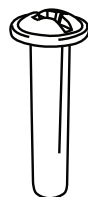
Drill through the 2 holes highlighted with a 5mm drill bit into the adjoining side panel of the other unit.

**NOTE:** To reduce the possibility of any breakout, we recommend the use of a small piece of waste wood placed behind the hole while drilling.

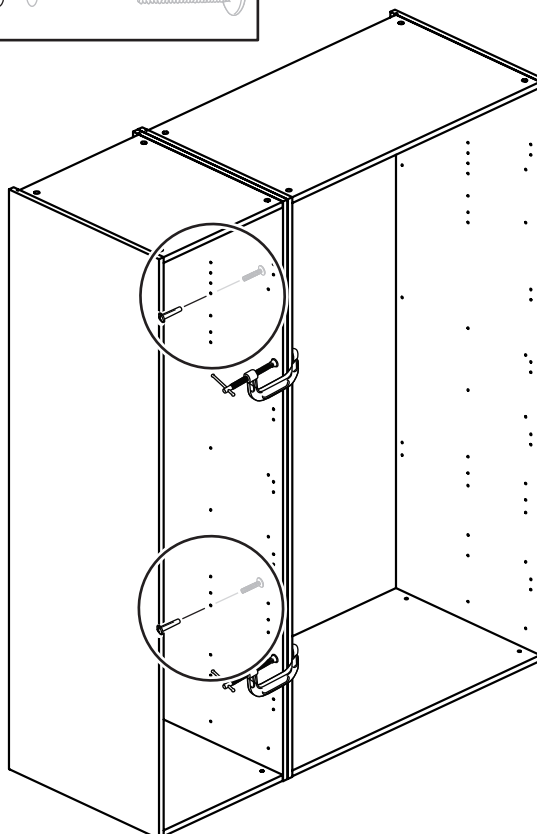
## 23



**D** x 2



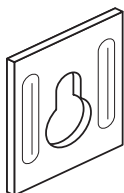
**E** x 2



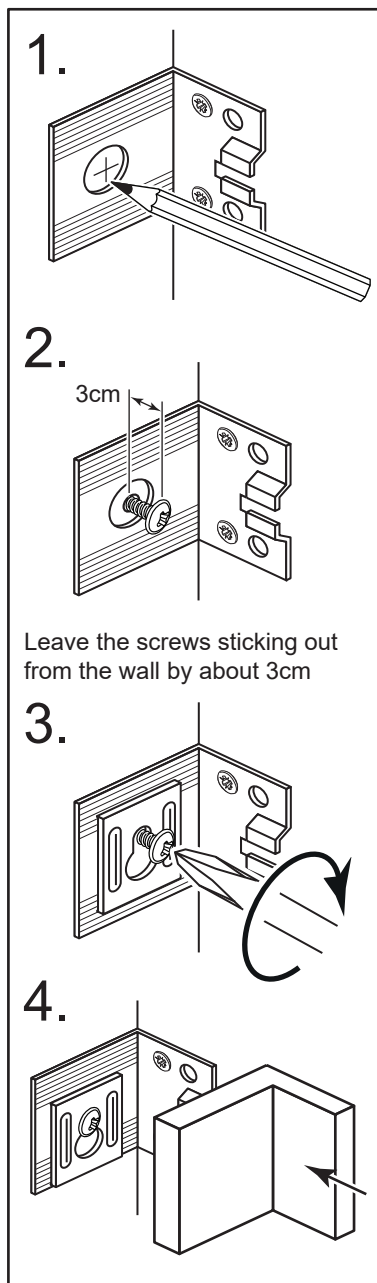


# Carcase Installation

# 24



1 x 2

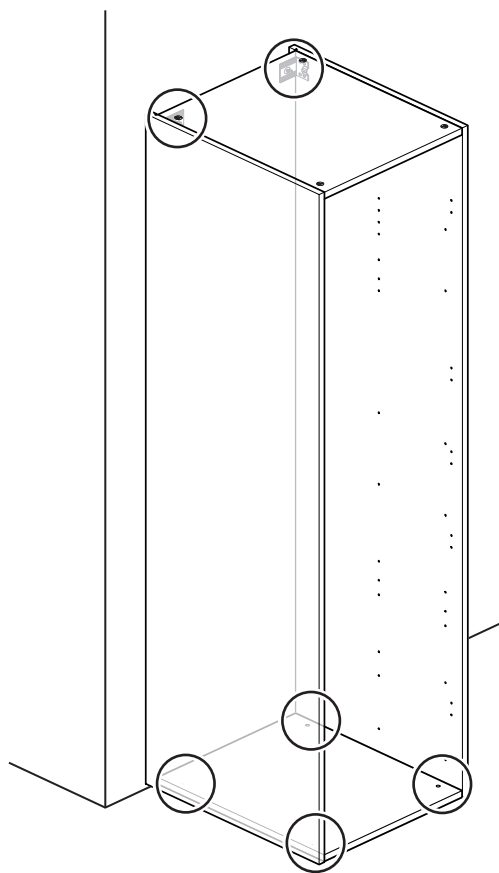


## WARNING!

In order to prevent overturning this product must be used with the wall attachment devices provided!

1. Mark the centre of the Brackets for drilling into the wall.
2. Drill into the mark-holes in the wall using an appropriate drill-bit. The screws and plugs are not supplied as they need to be the correct type to suit your wall.
3. Drop the key-hole part over the Screw, ensure the protruding parts are against the grooves in the bracket, and tighten the screw.
4. Slide the plastic cover over the bracket.

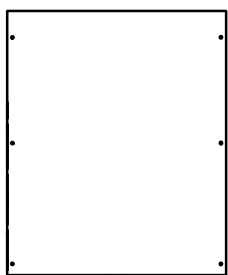
**NOTE:** Take care when drilling the wall that you do not drill into any pipes, wires etc. If in doubt, consult an expert.



# Shelf Installation

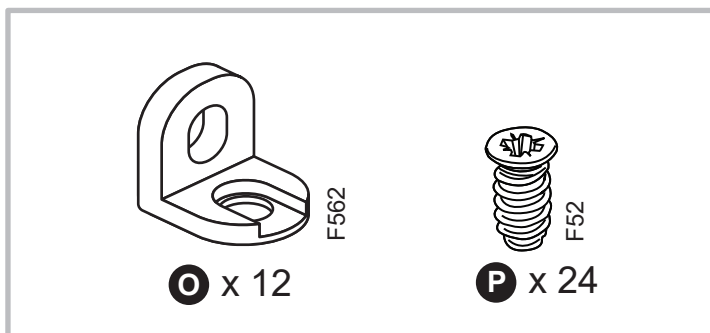
If you have purchased a shelf pack, follow the instructions below

311788

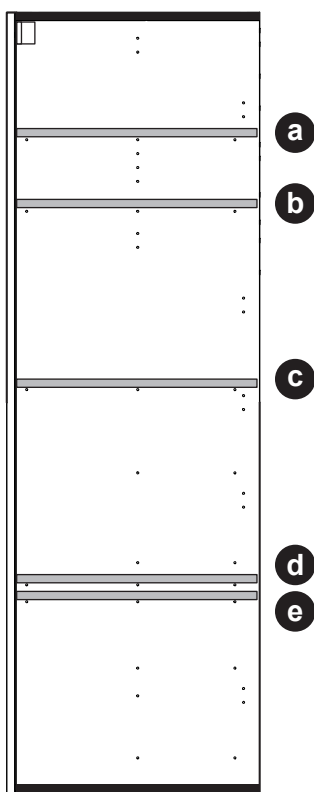


DF-00035675

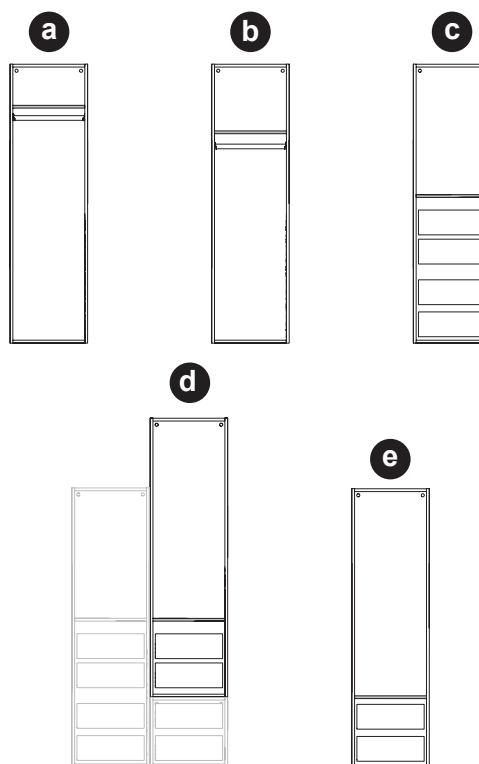
**6** 46.4 x 56cm X 2



## Shelf Positions

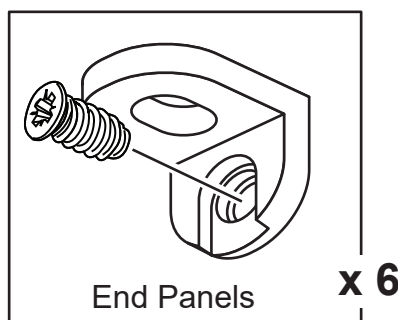
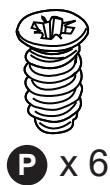
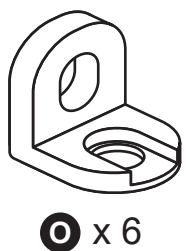


Positions c, d, or e can be with or without drawers.

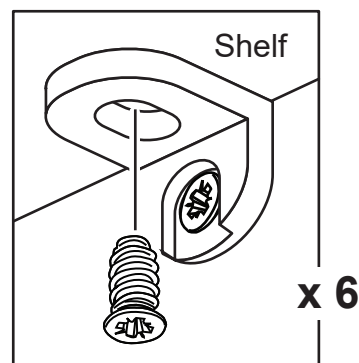
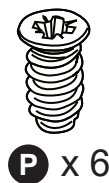


Instructions shown for fitting 1 shelf, repeat as required.

# 25



# 26



# Hanging Rail Installation

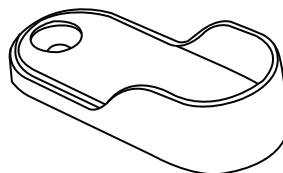
If you have purchased a hanging rail pack, follow the instructions below

311786



FHR30X458

**7** 45.8 x 3cm



F891

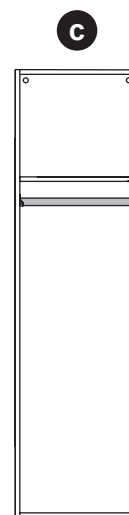
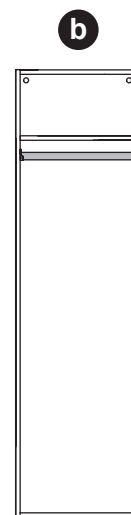
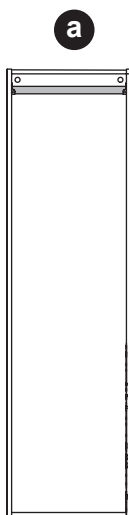
**Q** x 2



F52

**R** x 4

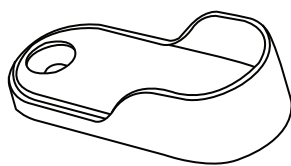
## Hanging Rail Positions



Ensure shelves are fitted prior to fitting hanging rail.

## Instructions

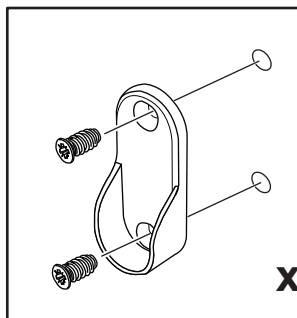
# 27



**Q** x 2

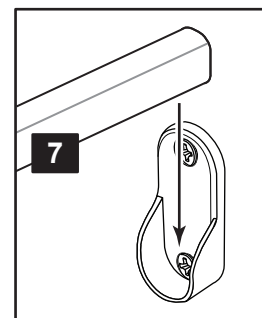


**R** x 4



x 2

# 28



**7**

# Decor End Installation

If you have purchased a decor end, follow the instructions below

311779

311780

311781

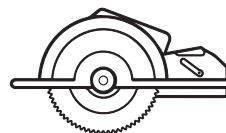
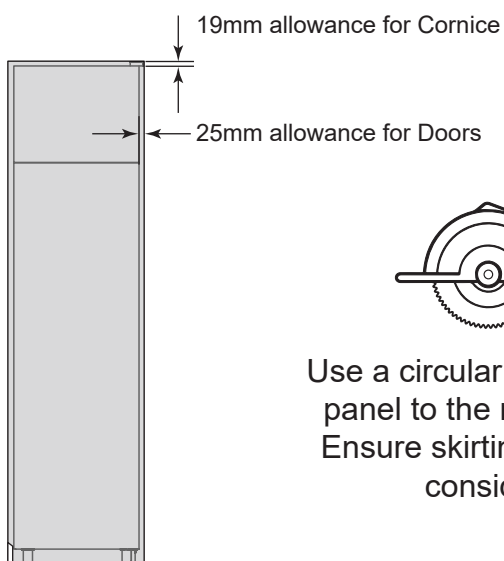


DF-00035198

**8** 240 x 62.5cm

## Instructions

# 29

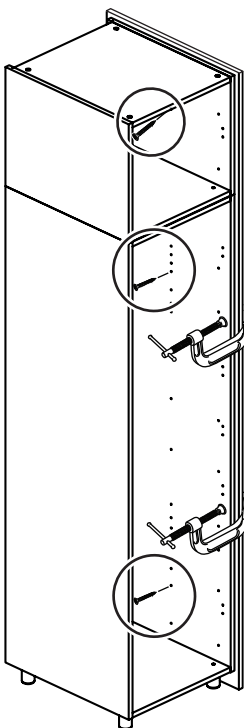


Use a circular saw to cut the panel to the required size. Ensure skirting boards are considered.

# 30



screws not supplied



# Cornice Installation

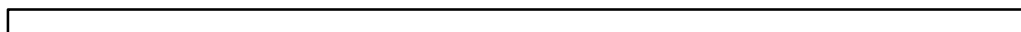
If you have purchased a cornice, follow the instructions below

311782

311783

311784

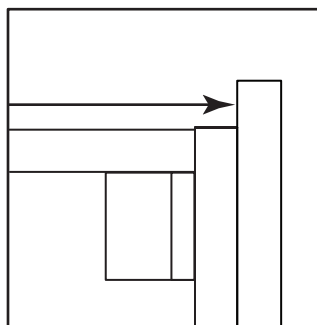
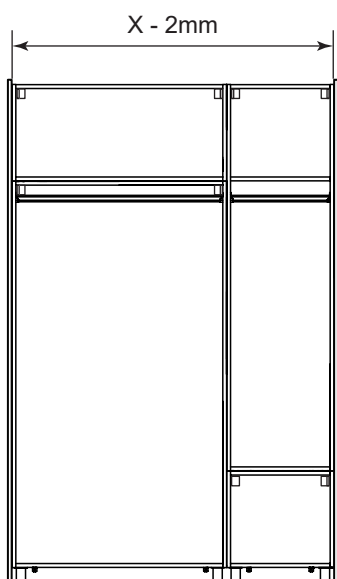
DF-00035786



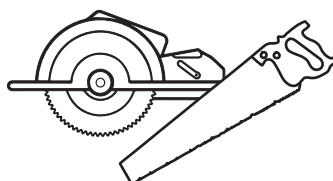
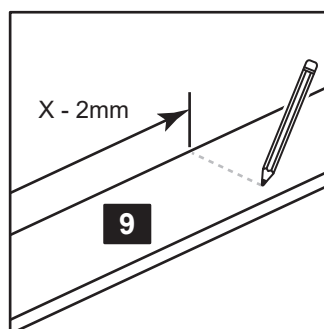
**9** 244 x 6cm

## Instructions

# 31



# 32

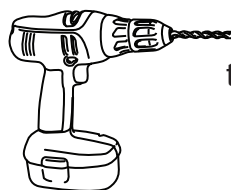
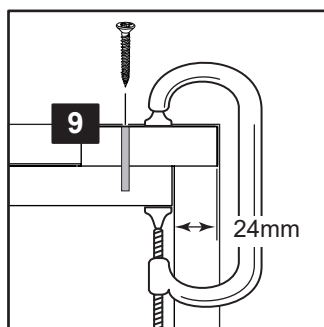


Cut the Cornice along the pencil line

# 33



screws not supplied



Where space allows fix the cornice by drilling down through the cornice into the unit.

Otherwise drill up from the inside of the unit into the cornice.

# Plinth Installation

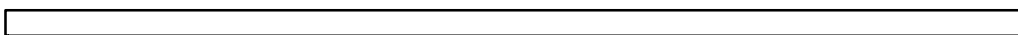
If you have purchased a plinth, follow the instructions below

311782

311783

311784

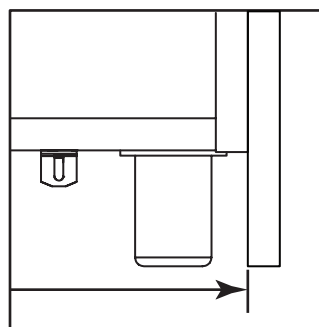
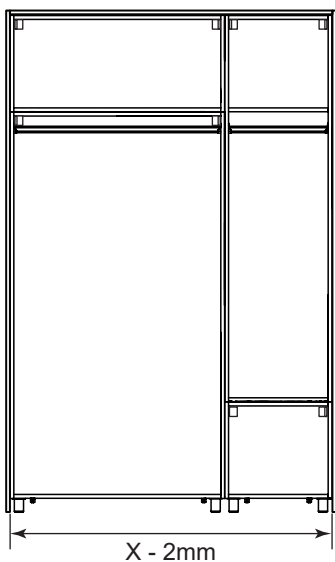
DF-00035786



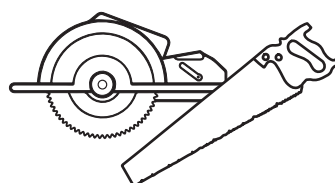
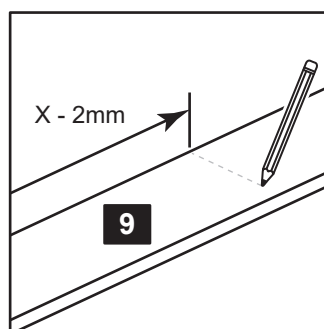
**9** 244 x 6cm

## Instructions

# 34

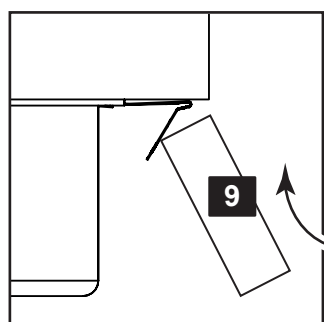


# 35



Cut the Plinth along the pencil line

# 36



Push the Plinth up against the clip and flush to the Leg

