

2000 Door Pack

Important: Retain these instructions for future reference

311762

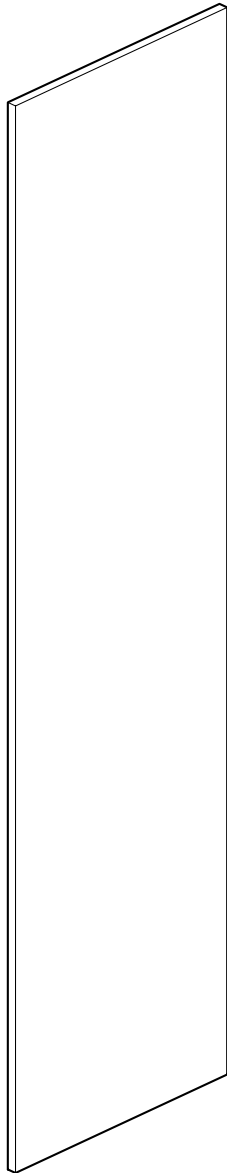
311765

311768

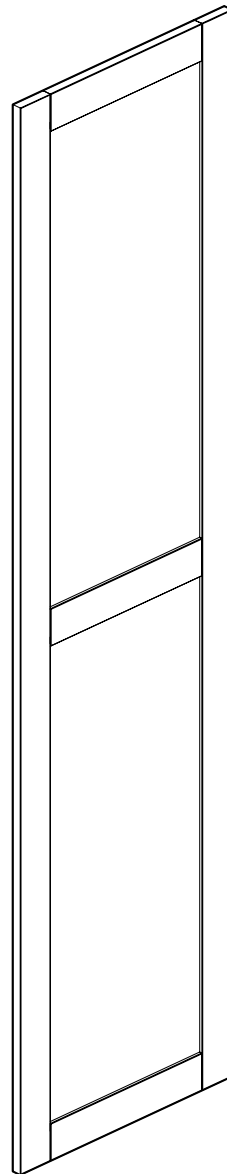
311771

311774

311777



or



Important: Please read these instructions fully before starting to assembly

Safety and Care Advice

Important - Please read these instructions fully before starting assembly

- Warning: This unit is heavy. Please lift with care.
- Check you have all the components and tools listed.
- Remove all fittings from the plastic bags and separate them into their groups.
- Keep children and animals away from the work area, small parts could choke if swallowed.
- Installation shall be carried out exactly according to the manufacturers instructions otherwise a safety risk can occur if incorrectly installed.
- Parts of the assembly will be easier with 2 people.
- Make sure you have enough space to layout the parts before starting.
- Assemble the item as close to its final position (in the same room) as possible.
- Assemble on a soft level surface to avoid damaging the unit or your floor (use opened out unit carton).
- Dispose of all packaging carefully and responsibly. All packaging can be recycled.



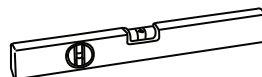
• We do not recommend the use of power drill/drivers for inserting screws, as this could damage the unit. Only use hand screwdrivers.

• **Safety note: This unit must be secured to a wall using the brackets supplied.**

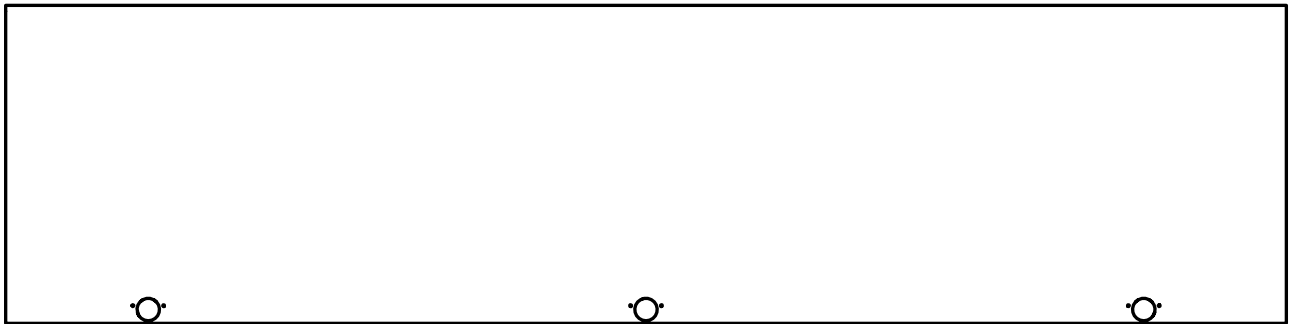
Care and maintenance

- Only clean using a damp cloth and mild detergent, do not use bleach or abrasive cleaners.
- From time to time check that there are no loose screws on this unit.
- This product should not be discarded with household waste. Take to your local authority waste disposal centre.

Tools



Panels



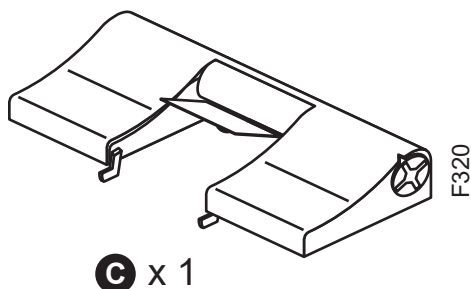
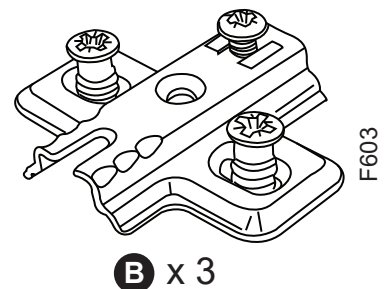
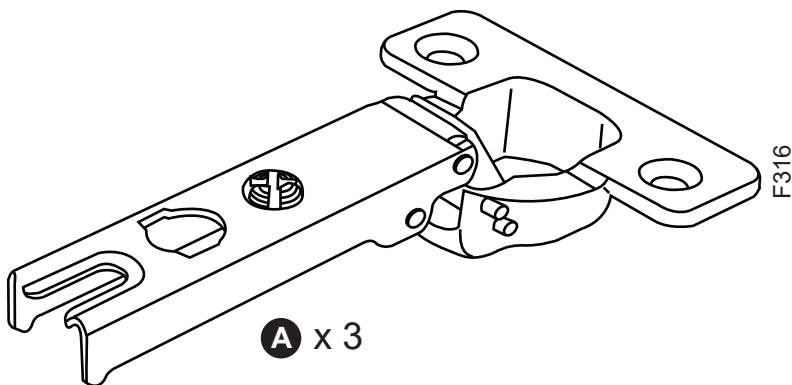
DF-00035691 SLAB
DF-00036249 SHAKER

1 199.4 x 49.5cm

Fittings

Please check you have all the fittings listed below

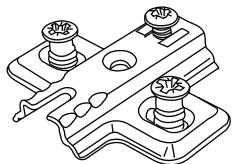
311759



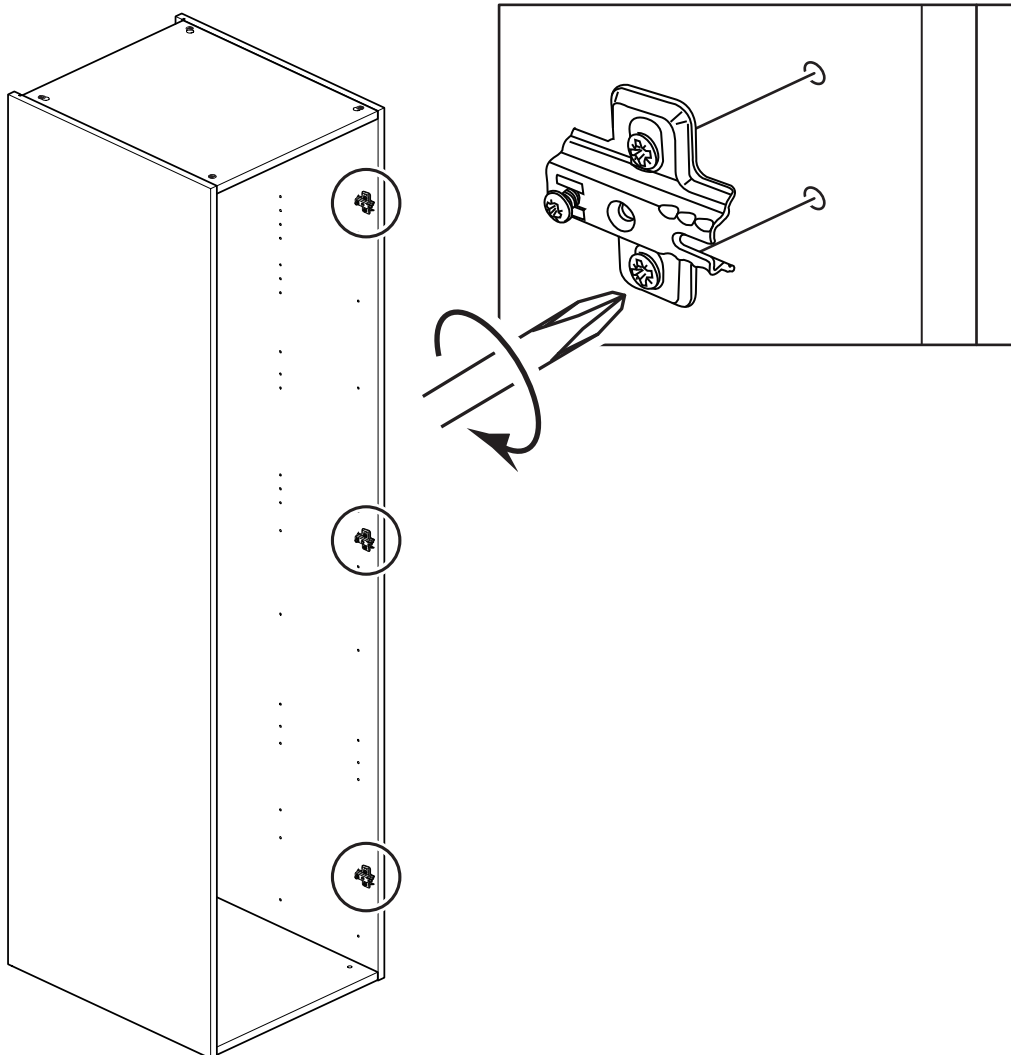
Door Assembly

01

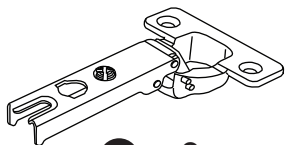
Note: The following steps shows the Door being fitted onto the Right side of a Single Carcase. To fit the Door to the Left side fit the hinge plates to the Left end panel.



B x 3



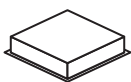
02



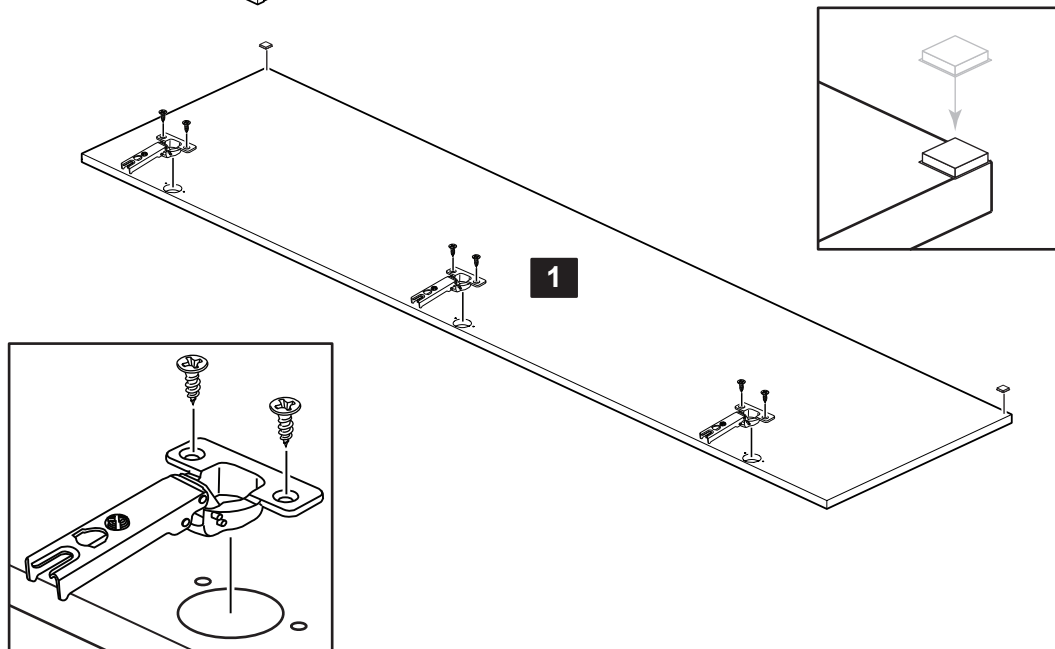
A x 3



D x 6

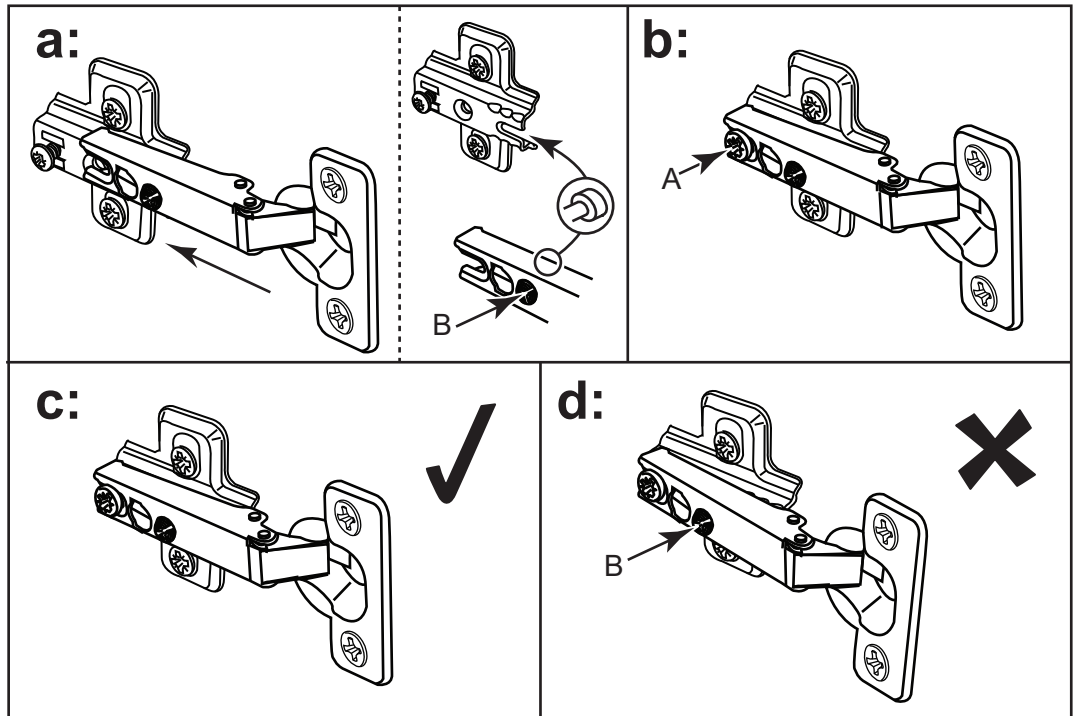


E x 2



Door Installation

03



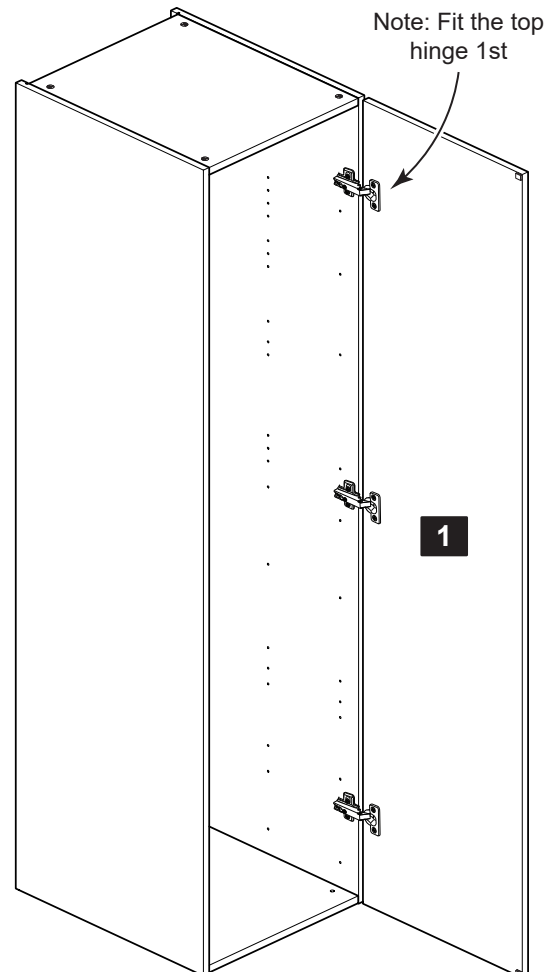
a: Push the Hinge onto the front part of the Hinge Plate. The recess at the bottom of screw B goes into the slot in the Hinge Plate.

b: Keep the Hinge FLAT against the Hinge Plate as you slide it across as far as it will go. Tighten screw A.

c: The Hinge must be flat against the Hinge Plate prior to any adjustment.

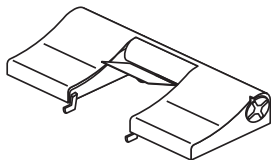
d: The Hinge must NOT be AT AN ANGLE to the Hinge Plate when assembled.

This would indicate that the recess at the bottom of screw B had not located in the slot in the Hinge Plate and the Hinge would not be secure. Remove the Hinge from the Hinge Plate and then re-assemble being careful to follow instructions a-c.

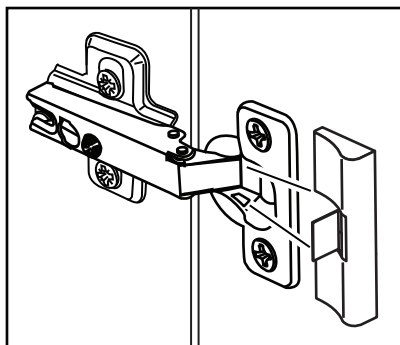


Door Installation

04

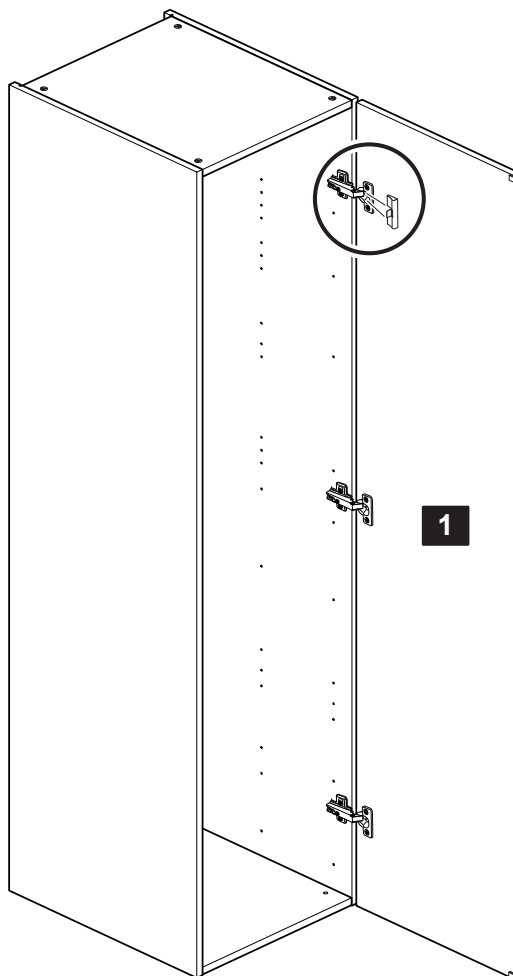


C x 1



Fix the soft-close fitting to the **top hinge** on the Door.

Push the hooks on the soft-close fitting into the holes on the hinge and then firmly press down to click into place.



Door Installation

05

Adjust the door if needed.

a: Height adjustment.

Loosen screws A on hinge plates and move door up or down as required.

Re-tighten screw A.

b: Forward and Back adjustment.

Loosen screw B on hinge plate and move door in or out as required.

Re-tighten screw B.

c: Sideways adjustment.

To move door 'out' loosen screw C.

To move door 'in' tighten screw C.

d: Soft close adjustment.

To adjust the damping force on the soft-close fittings, turn towards the '+' to increase and towards the '-' to decrease.

