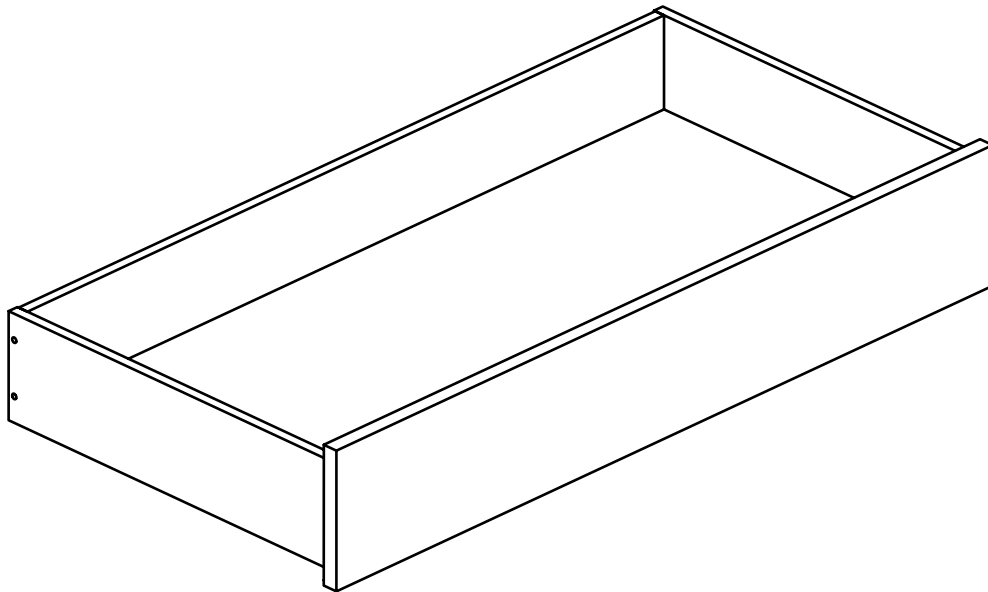
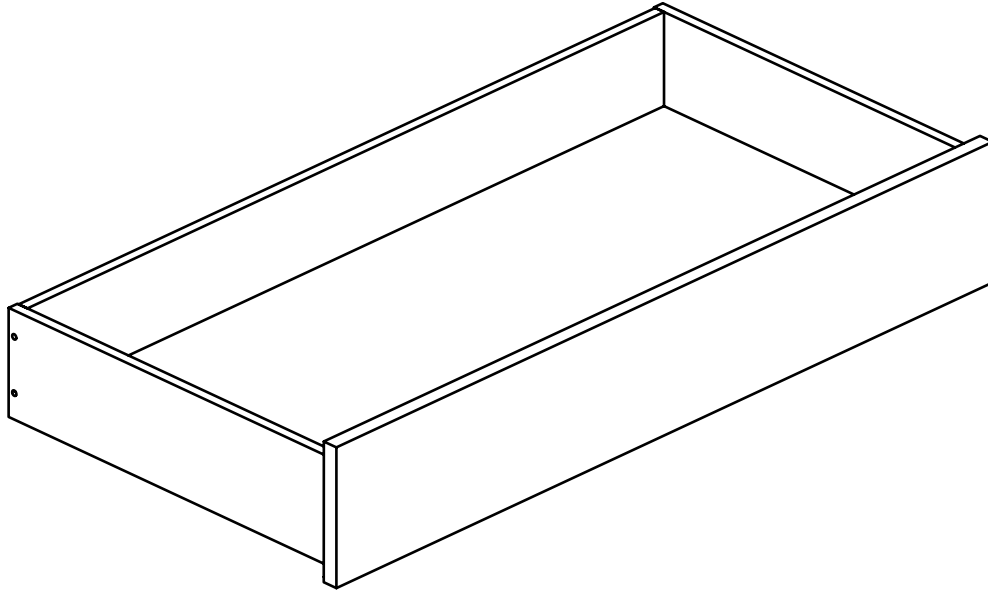


Double Robe Drawer Pack

Important: Retain these instructions for future reference

311791



Important: Please read these instructions fully before starting to assembly

Safety and Care Advice

Important - Please read these instructions fully before starting assembly

- Warning: This unit is heavy. Please lift with care.
- Check you have all the components and tools listed.
- Remove all fittings from the plastic bags and separate them into their groups.
- Keep children and animals away from the work area, small parts could choke if swallowed.
- Installation shall be carried out exactly according to the manufacturers instructions otherwise a safety risk can occur if incorrectly installed.
- Parts of the assembly will be easier with 2 people.
- Make sure you have enough space to layout the parts before starting.
- Assemble the item as close to its final position (in the same room) as possible.
- Assemble on a soft level surface to avoid damaging the unit or your floor (use opened out unit carton).
- Dispose of all packaging carefully and responsibly. All packaging can be recycled.



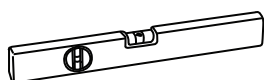
• We do not recommend the use of power drill/drivers for inserting screws, as this could damage the unit. Only use hand screwdrivers.

• **Safety note: This unit must be secured to a wall using the brackets supplied.**

Care and maintenance

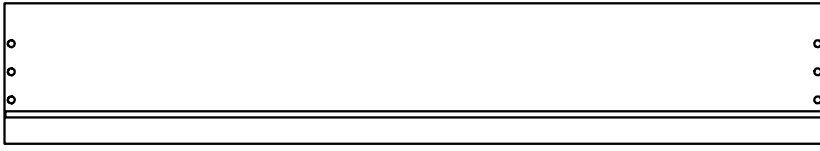
- Only clean using a damp cloth and mild detergent, do not use bleach or abrasive cleaners.
- From time to time check that there are no loose screws on this unit.
- This product should not be discarded with household waste. Take to your local authority waste disposal centre.

Tools



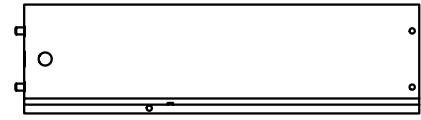
Panels

Please check you have all the panels listed below



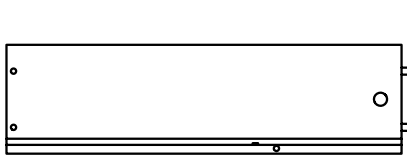
DF-00035762

1 93.4 x 16cm X 2



WRP-00000844

2 45 x 12.4cm X 2



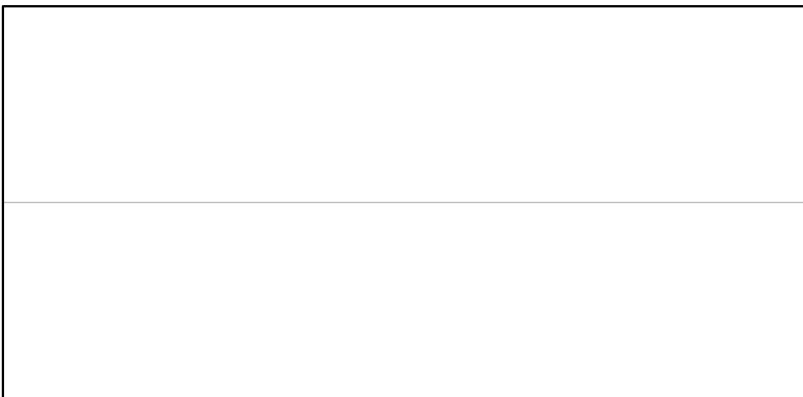
WRP-00000845

3 45 x 12.4cm X 2



WRP-00000847

4 90.6 x 12.4cm X 2

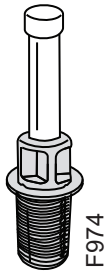


TDF-00035766

5 91.7 x 44.7cm X 2

Fittings

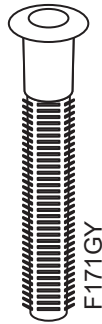
Please check you have all the fittings listed below



A x 4



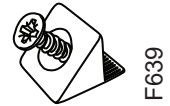
B x 4



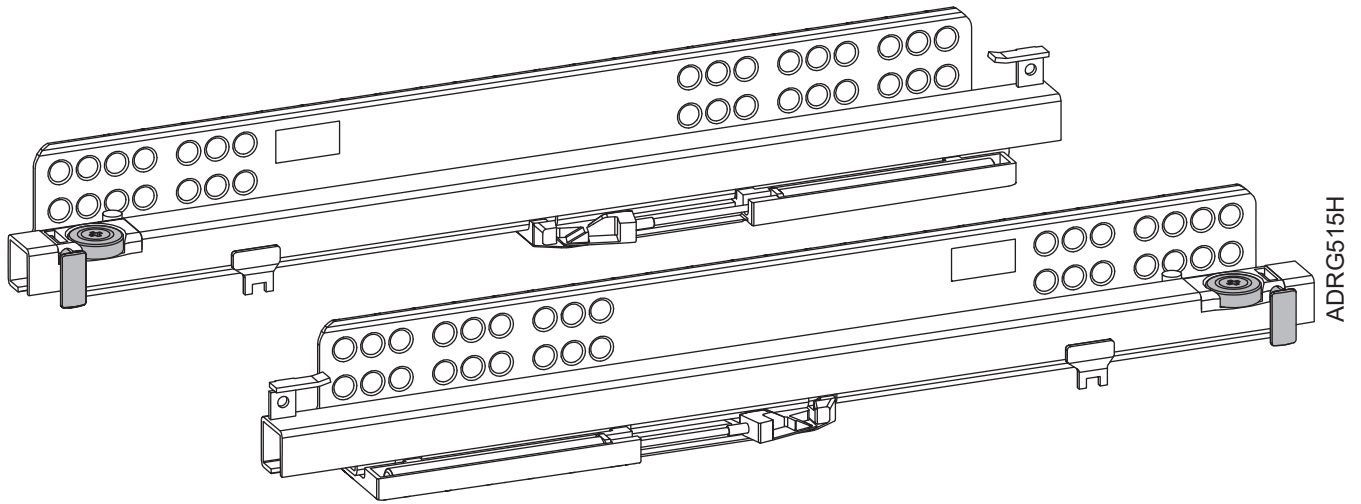
C x 8



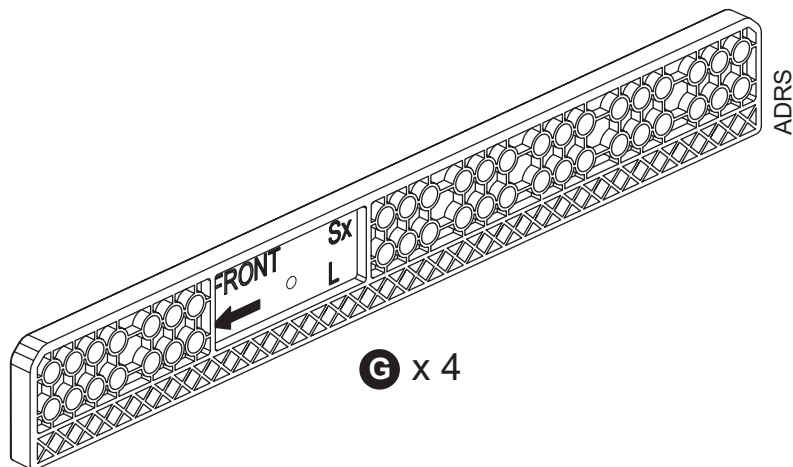
D x 8



E x 8



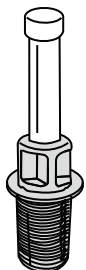
F x 2



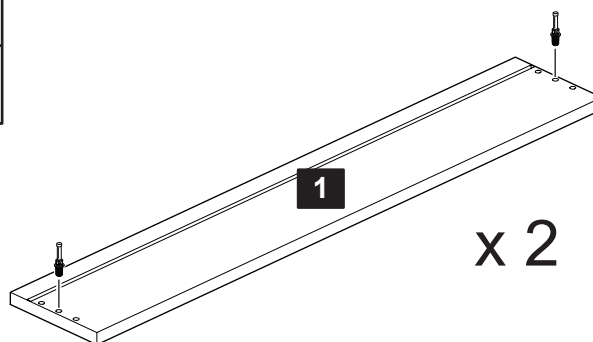
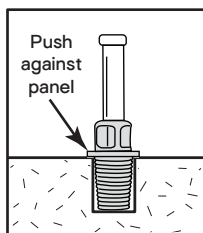
G x 4

Drawer Assembly

01



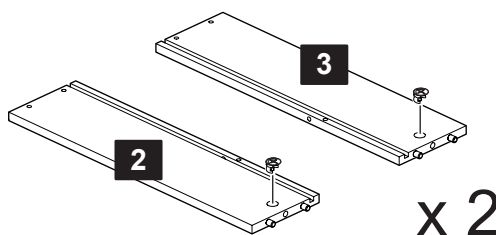
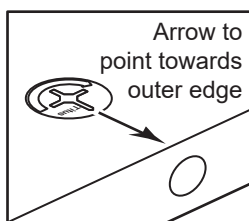
A x 4



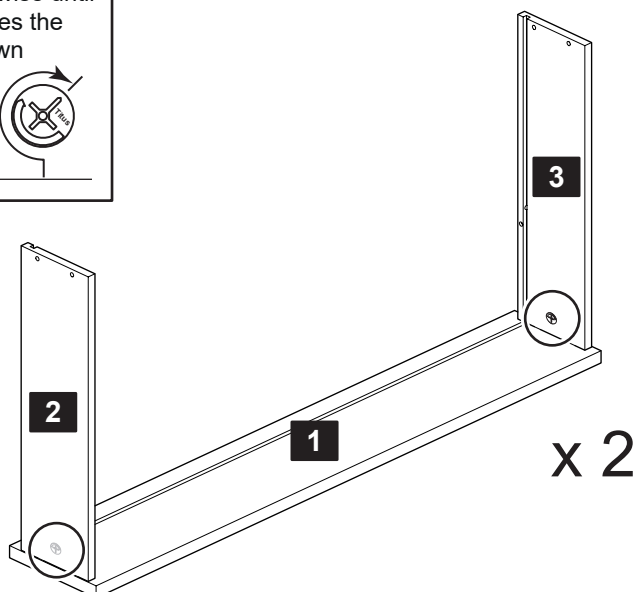
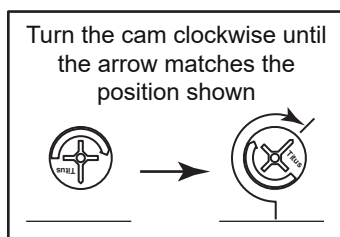
02



B x 4

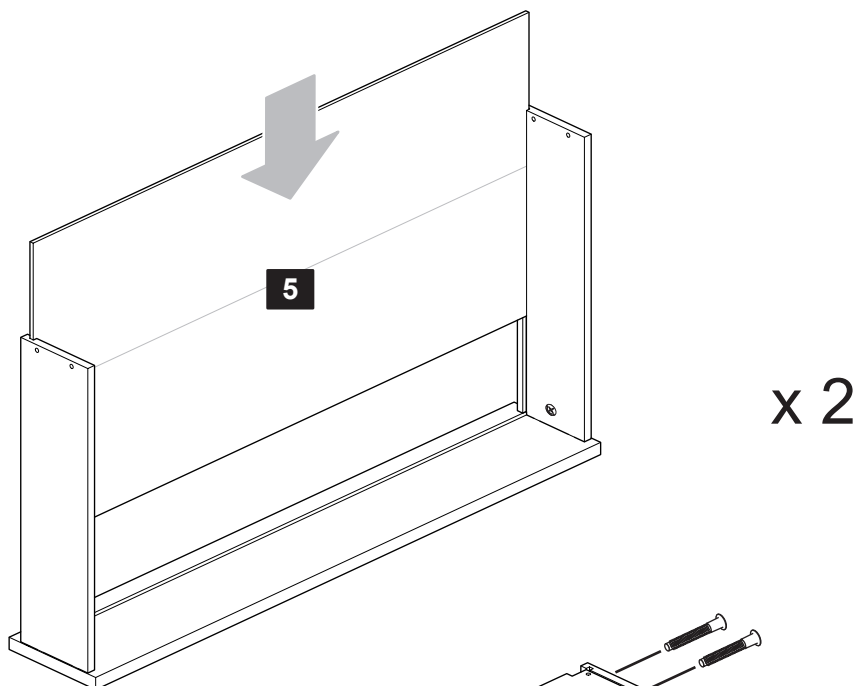


03



Drawer Assembly

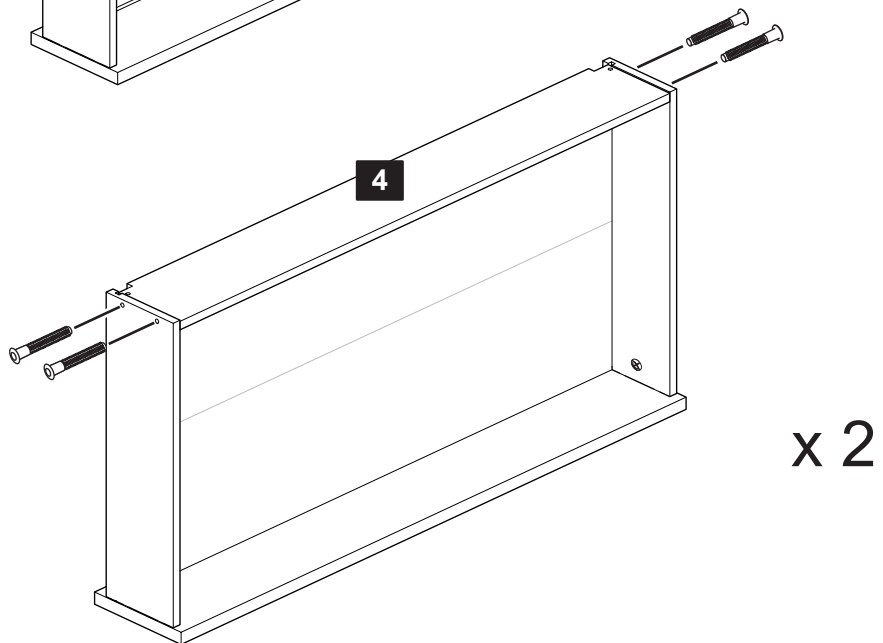
04



05



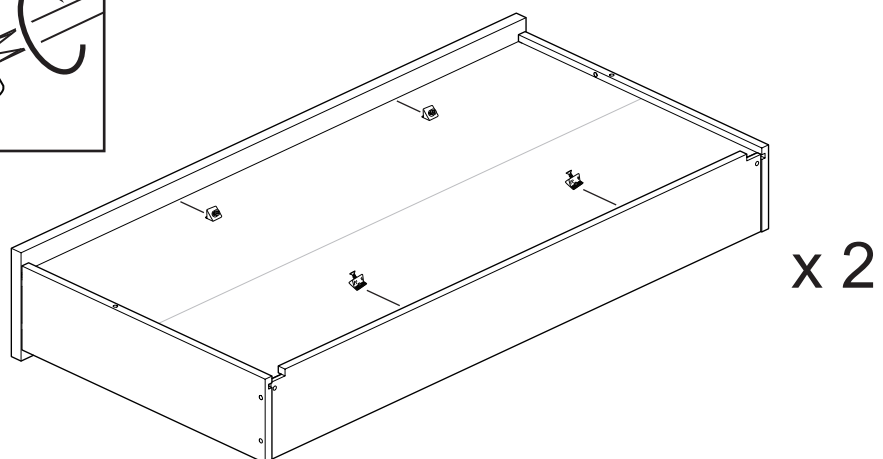
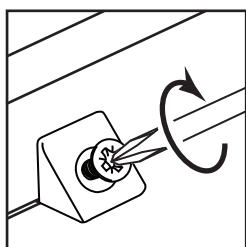
C x 8



06



E x 8



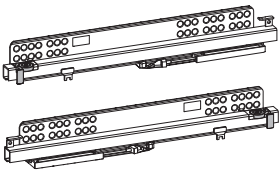
Drawer Installation

07

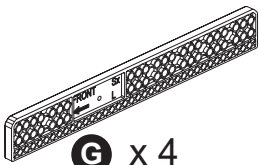
Choose where you would like to fit each drawer, then fit the runners at the appropriate position.



D x 8



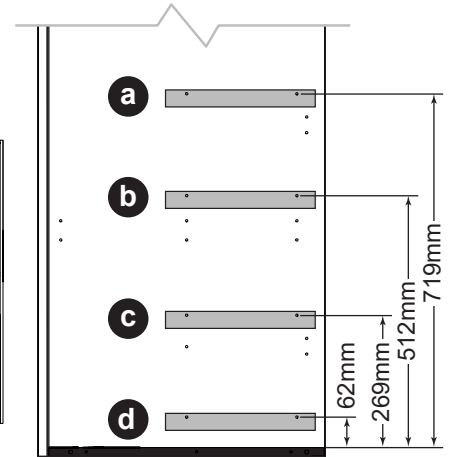
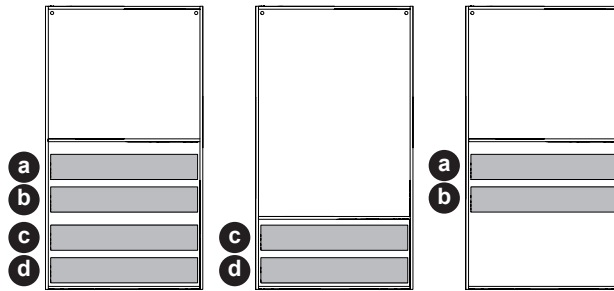
F x 2



G x 4



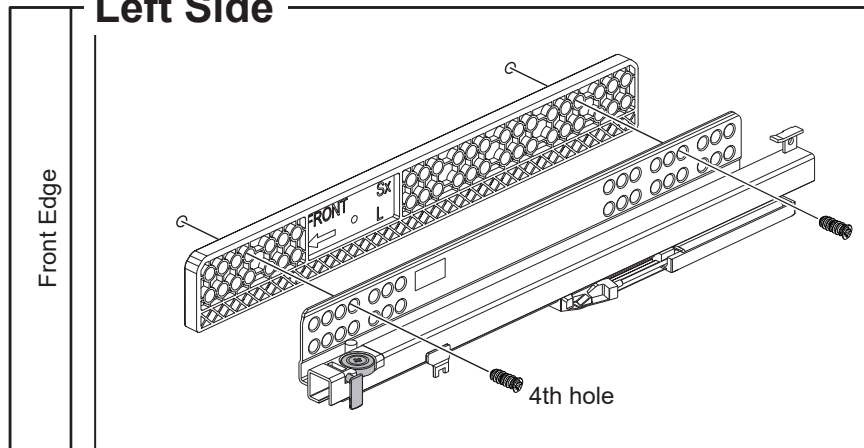
Warning: For safety, a maximum run of 4 drawers can be fitted.



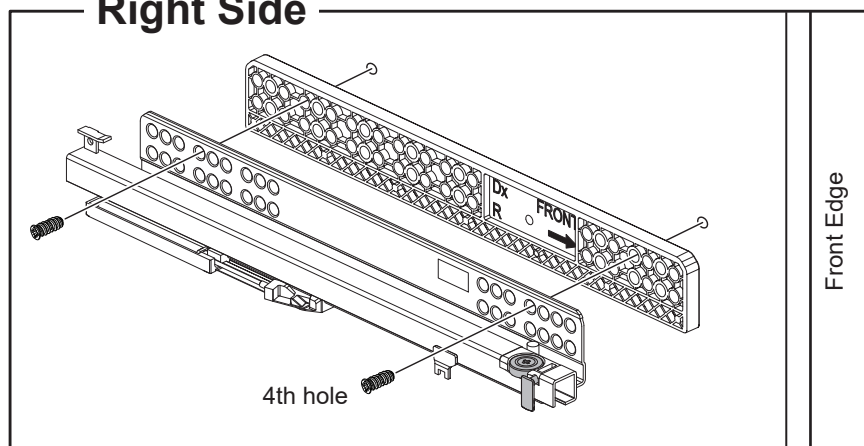
Dimensioned from inner face of Base panel

Important: Runners are handed, ensure you fit the correct runner to the correct side. The green wheel should be at the front of the unit.

Left Side

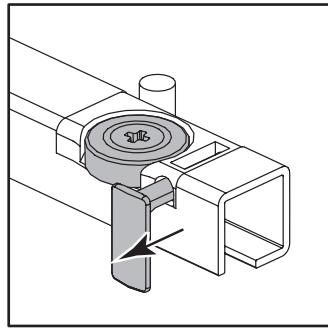


Right Side



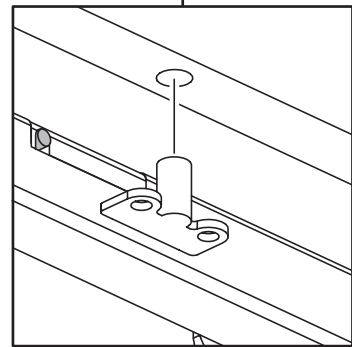
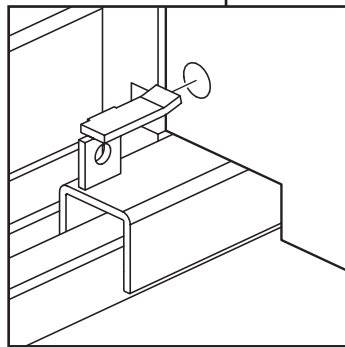
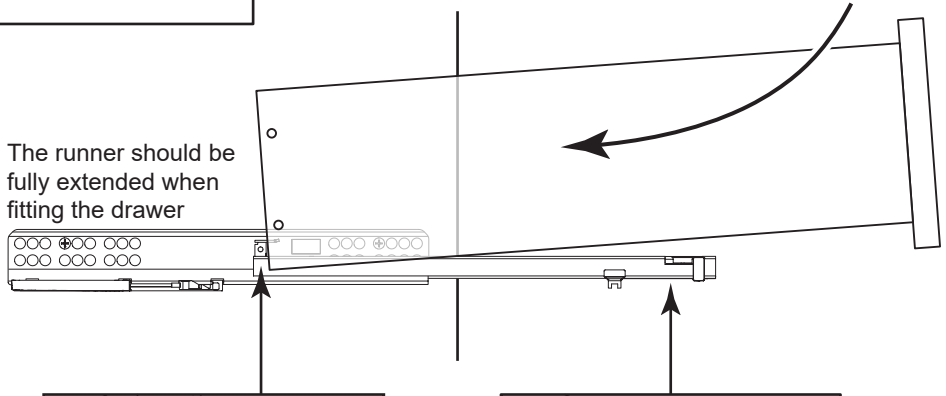
Drawer Installation

08

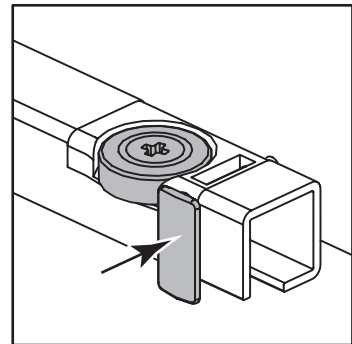
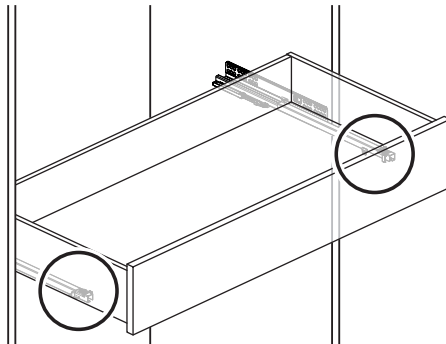


Ensure the clip is pulled out prior to fitting the drawer

The runner should be fully extended when fitting the drawer



09



10

If the drawer is not level, adjust the runners as required

