

2250 Door Pack

Important: Retain these instructions for future reference

311761

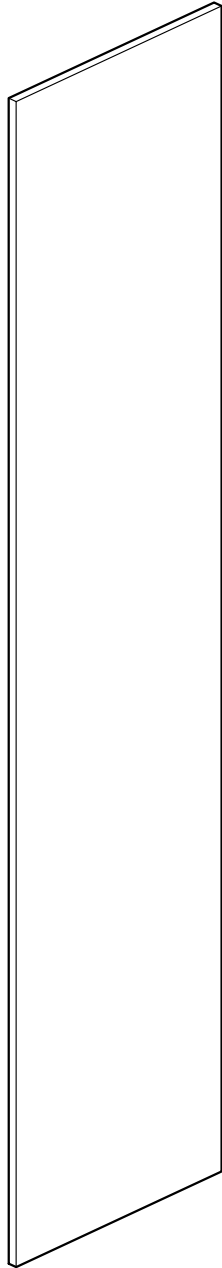
311764

311767

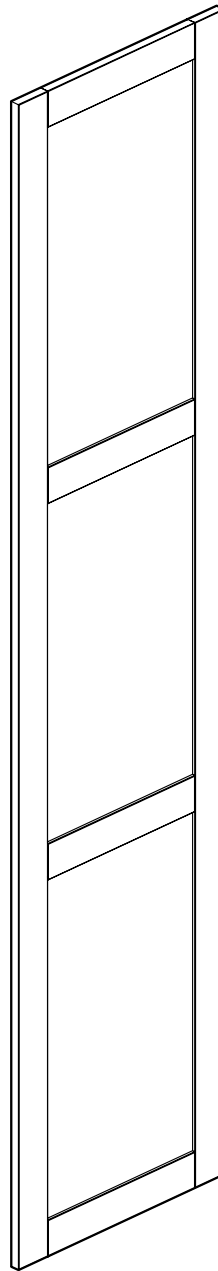
311770

311773

311776



or



Important: Please read these instructions fully before starting to assembly

Safety and Care Advice

Important - Please read these instructions fully before starting assembly

- Warning: This unit is heavy. Please lift with care.
- Check you have all the components and tools listed.
- Remove all fittings from the plastic bags and separate them into their groups.
- Keep children and animals away from the work area, small parts could choke if swallowed.
- Installation shall be carried out exactly according to the manufacturers instructions otherwise a safety risk can occur if incorrectly installed.
- Parts of the assembly will be easier with 2 people.
- Make sure you have enough space to layout the parts before starting.
- Assemble the item as close to its final position (in the same room) as possible.
- Assemble on a soft level surface to avoid damaging the unit or your floor (use opened out unit carton).
- Dispose of all packaging carefully and responsibly. All packaging can be recycled.



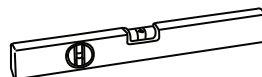
• We do not recommend the use of power drill/drivers for inserting screws, as this could damage the unit. Only use hand screwdrivers.

• **Safety note: This unit must be secured to a wall using the brackets supplied.**

Care and maintenance

- Only clean using a damp cloth and mild detergent, do not use bleach or abrasive cleaners.
- From time to time check that there are no loose screws on this unit.
- This product should not be discarded with household waste. Take to your local authority waste disposal centre.

Tools



Panels



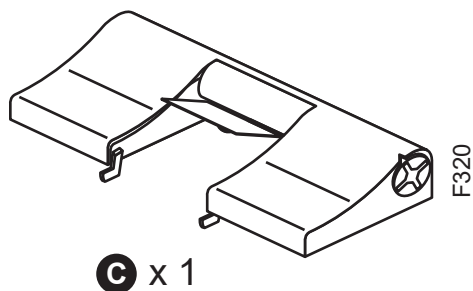
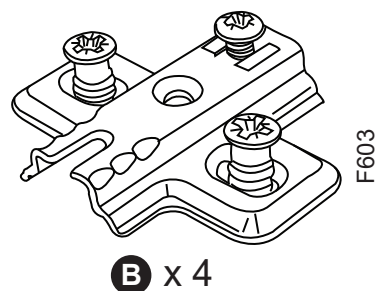
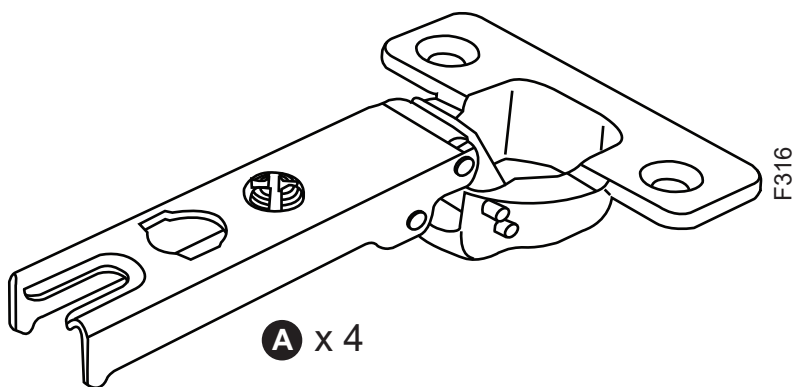
DF-00035692 SLAB
DF-00036250 SHAKER

1 224.4 x 49.5cm

Fittings

Please check you have all the fittings listed below

311760

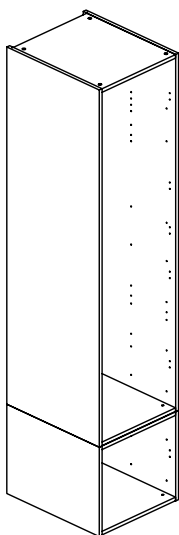


Door Assembly

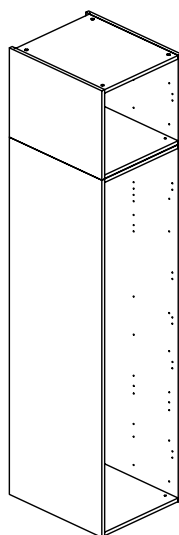
01

Note: The following steps show the Door being fitted onto the Right side of Single Carcases. To fit the Door to the Left side fit the hinge plates to the Left end panel.

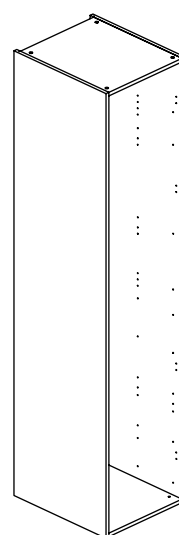
Consider the unit/s the Door is being fitted to, and follow the indicated step.



450 at bottom
1800 at top
Follow step 02

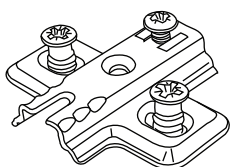


1800 at bottom
450 at top
Follow step 03

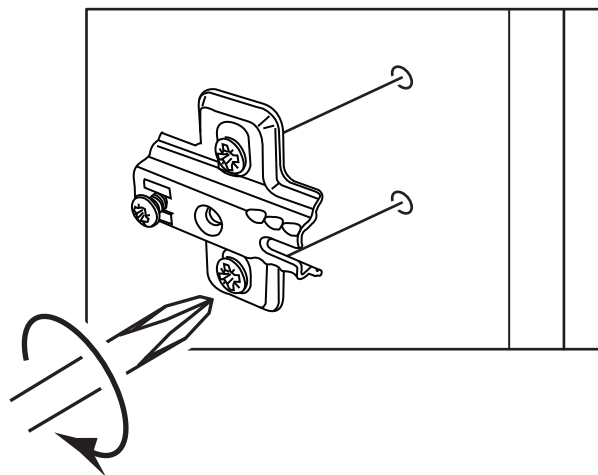
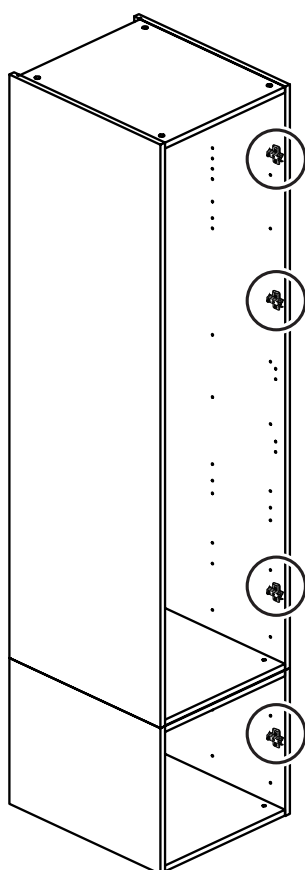


2250 carcass
Follow step 04

02

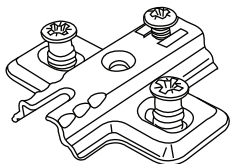


B x 4

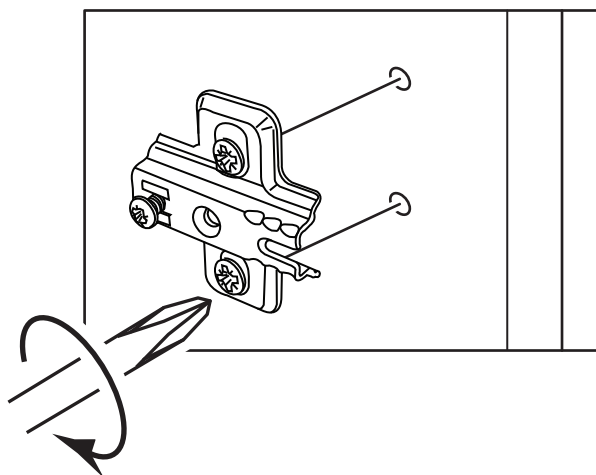
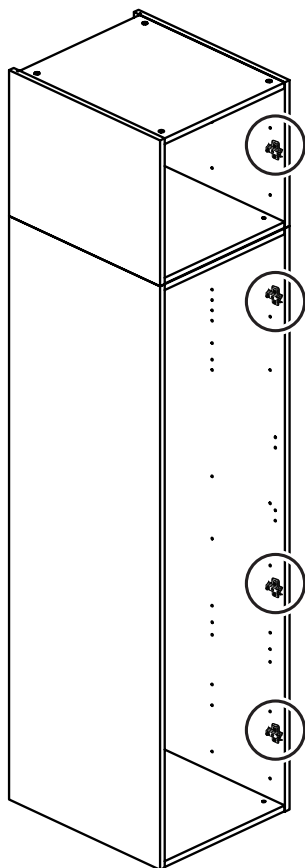


Door Assembly

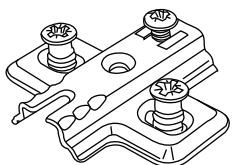
03



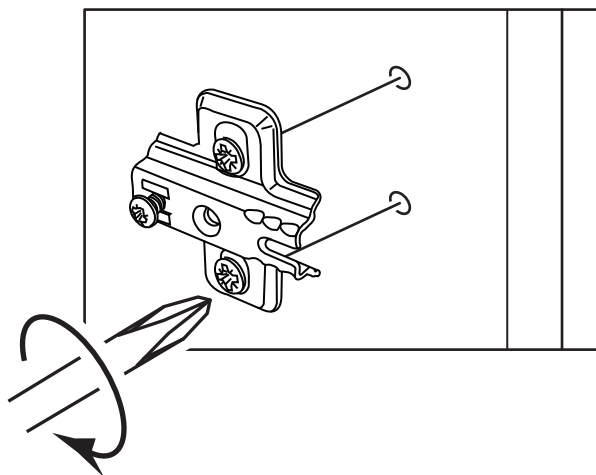
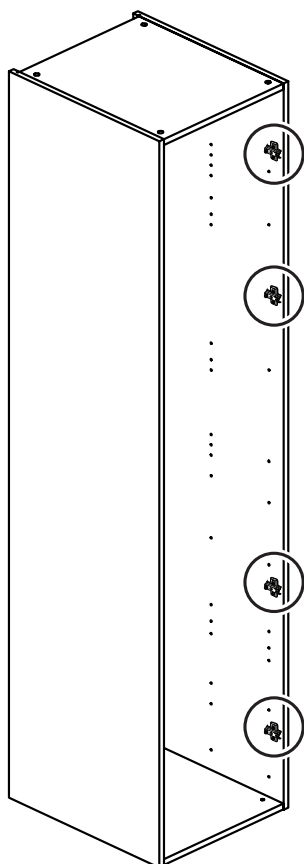
B x 4



04

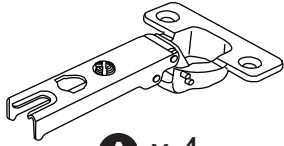


B x 4



Door Assembly

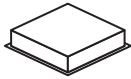
05



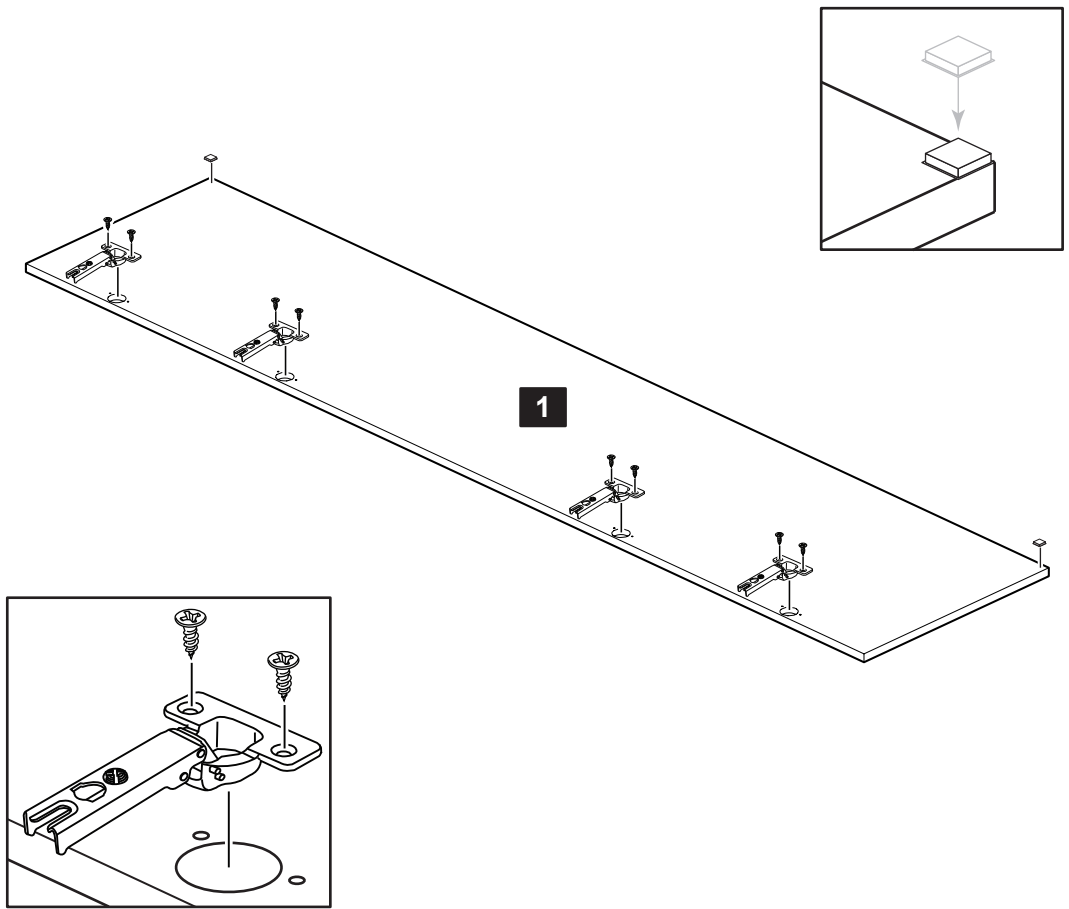
A x 4



D x 8



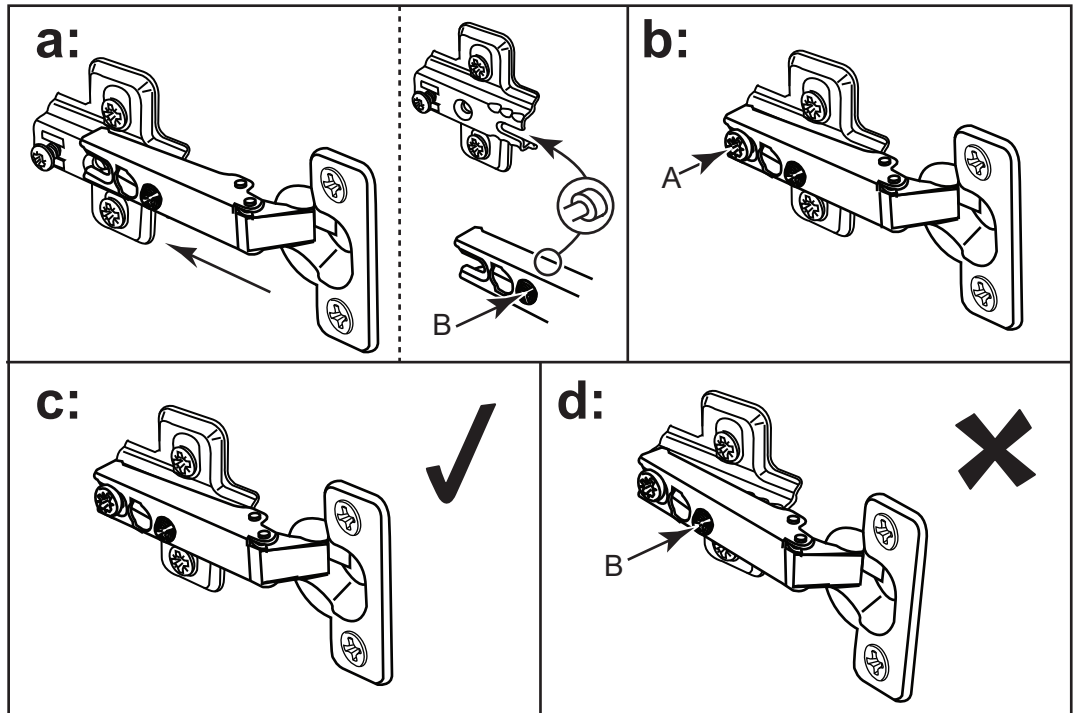
E x 2



Door Installation

06

Note: The following steps show the Door being fitted onto the 2250 carcass. The same method applies to all configurations.

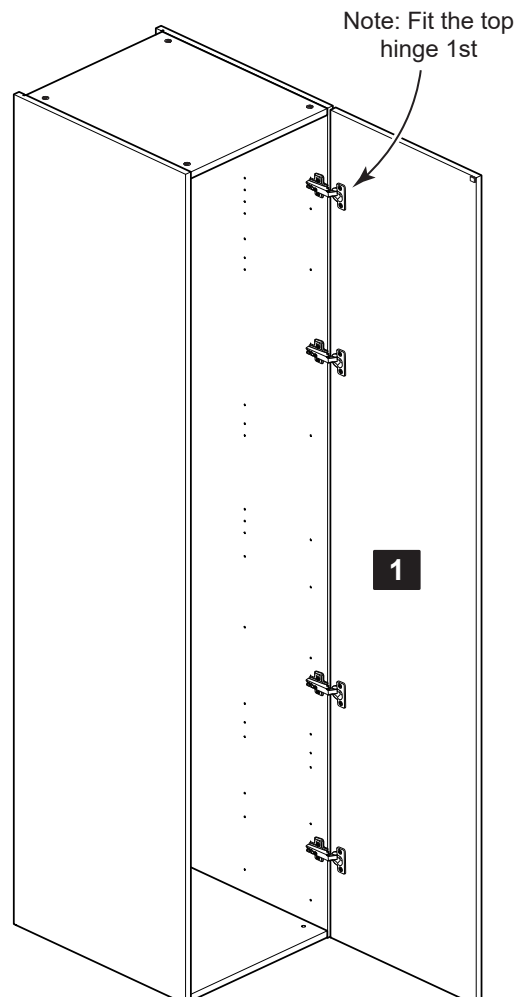


a: Push the Hinge onto the front part of the Hinge Plate. The recess at the bottom of screw B goes into the slot in the Hinge Plate.

b: Keep the Hinge FLAT against the Hinge Plate as you slide it across as far as it will go. Tighten screw A.

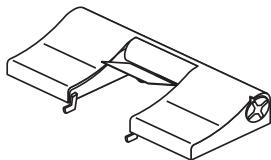
c: The Hinge must be flat against the Hinge Plate prior to any adjustment.

d: The Hinge must NOT be AT AN ANGLE to the Hinge Plate when assembled. This would indicate that the recess at the bottom of screw B had not located in the slot in the Hinge Plate and the Hinge would not be secure. Remove the Hinge from the Hinge Plate and then re-assemble being careful to follow instructions a-c.

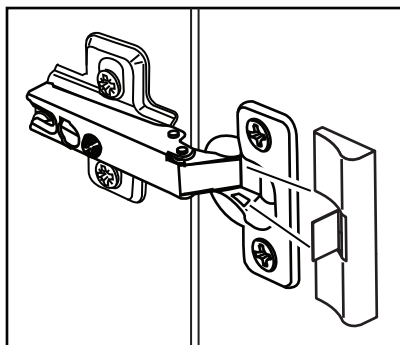


Door Installation

07

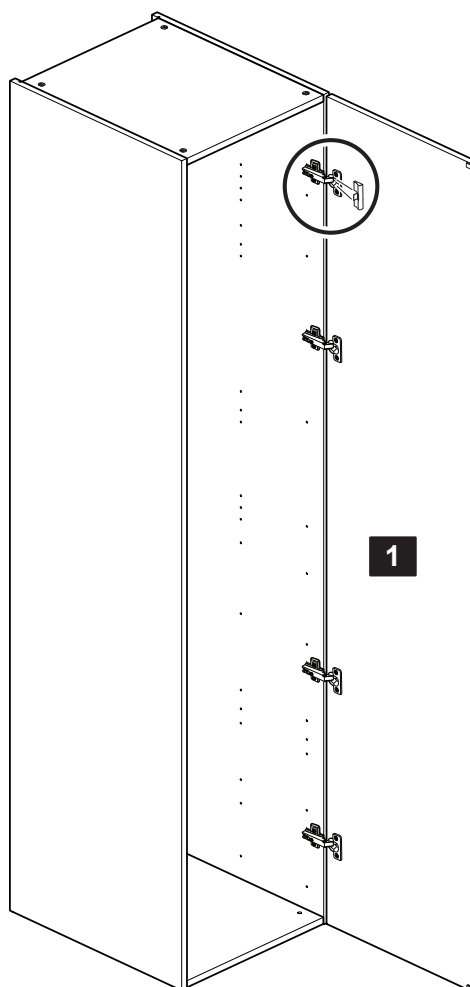


C x 1



Fix the soft-close fitting to the **top hinge** on the Door.

Push the hooks on the soft-close fitting into the holes on the hinge and then firmly press down to click into place.



Door Installation

08

Adjust the door if needed.

a: Height adjustment.

Loosen screws A on hinge plates and move door up or down as required.

Re-tighten screw A.

b: Forward and Back adjustment.

Loosen screw B on hinge plate and move door in or out as required.

Re-tighten screw B.

c: Sideways adjustment.

To move door 'out' loosen screw C.

To move door 'in' tighten screw C.

d: Soft close adjustment.

To adjust the damping force on the soft-close fittings, turn towards the '+' to increase and towards the '-' to decrease.

