

## 500mm x 800mm Straight Chrome

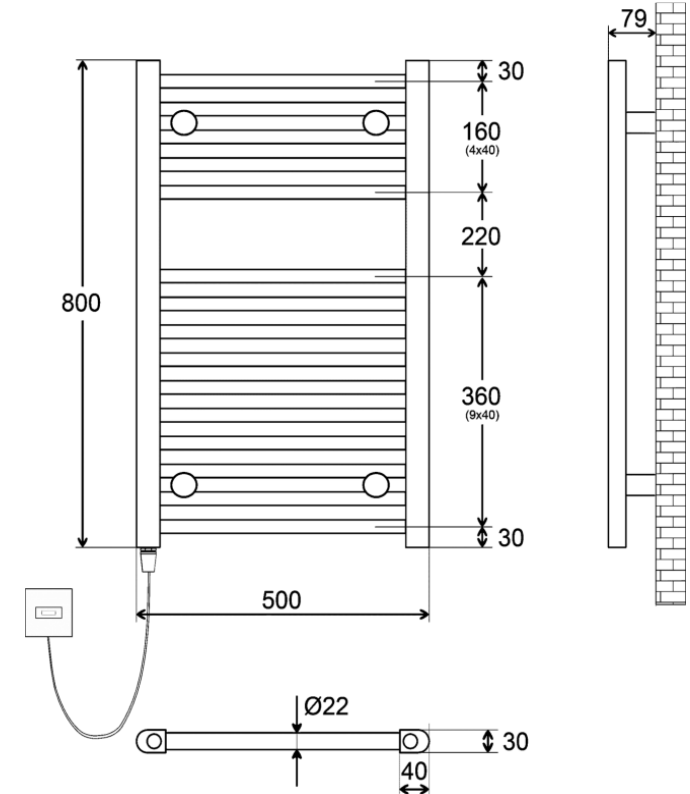
	<b>EAN</b>	<b>5060235349225</b>
	<b>Finish</b>	<b>Straight Chrome</b>
	<b>Width</b>	500mm
	<b>Height</b>	800mm (840mm)
	<b>Fitted Depth</b>	79mm
	<b>Horizontal Profile Size</b>	22mm
	<b>Vertical Profile Size</b>	40mm x 30mm D Shaped
	<b>Weight</b>	8.6 kg

### Installation & Usage Options

Electric Only

	<b>Electrical Power</b>	200 Watts
	<b>Type</b>	Liquid Filled with Cartridge Heater
	<b>IP Rating</b>	IP55
	<b>Cable Length</b>	1000mm

### Fitted Dimensions



### Product Information

Conform to EN60335 Standard

CE & UKCA Mark applied

Brackets and Fixings included