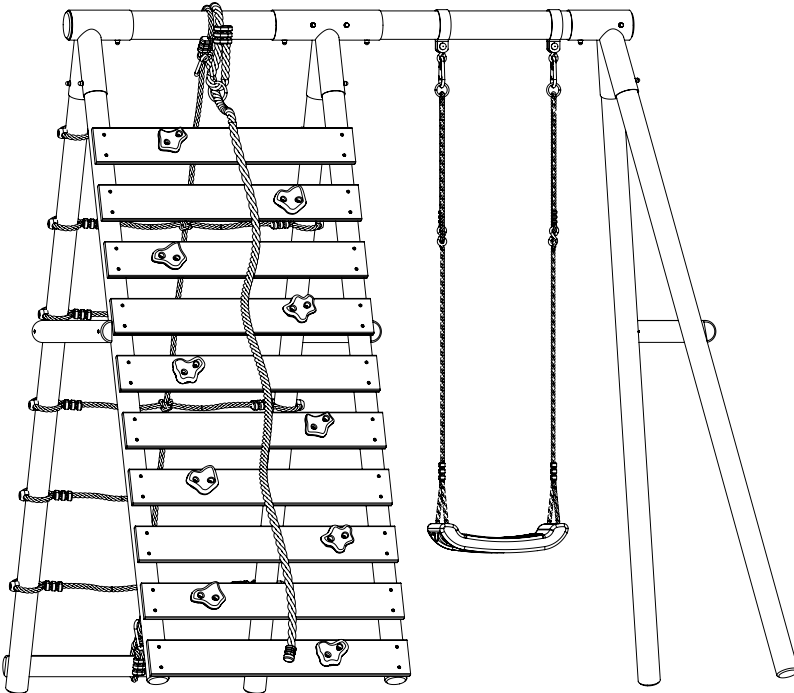




WARNING!

- » WARNING! NOT SUITABLE FOR CHILDREN UNDER 36 MONTHS. SMALL PARTS. CHOKING HAZARD.
(THIS DOES NOT APPLY TO THE BABY SWING)
- » WARNING! MAX. 50KG.
- » WARNING! ONLY FOR DOMESTIC USE.
- » WARNING! FOR OUTDOOR USE ONLY.
- » WARNING! THIS ARTICLE IS SUITABLE FOR CHILDREN AGED 3 AND OVER.
- » PRODUCT MUST BE ASSEMBLED BY AN ADULT BEFORE USE.
- » ADULT SUPERVISION IS REQUIRED.
- » CHILDREN MUST NOT USE THE EQUIPMENT UNTIL PROPERLY INSTALLED.
- » REMOVE ALL PACKAGING BEFORE USE.
- » RETAIN MANUAL FOR FUTURE REFERENCE.
- » EQUIPMENT CAN BECOME SLIPPY WHEN WET/ICY/DIRTY, EXTRA CARE MUST BE TAKEN IF USED IN THESE CONDITIONS.



UK
CA

CE



2 Person Build

SKU: PI-21-0009

Description: Single/Double Swing With CW

TIMBER AND TREATMENT INFORMATION

All products are manufactured utilising premium quality timber. Strict timber selection processes ensure that all timber is selected, cut and planed to correct specifications. Timber however is a natural product material, and will therefore experience changes in both appearance and composition during its life cycle. This means that it may:

- » Develop openings in the structure of wood following the grain, openings include (gaps, slits, apertures, cracks and also splits). These gaps are caused by the difference in moisture content on the internal and external surfaces of the timber. This is expected during drier and wetter seasons, this is not a cause for concern and will not affect structural integrity, therefore is not covered by our warranty.
- » Warp and distort in overall shape. Any distortion or warping of the timber will only be slight, and will not affect the overall enjoyment or structural integrity of the equipment, therefore is not covered by our warranty.
- » Fade in colour as the timber reacts to exposure to UV light. The timber will react with the sunlight, and fade over time, treatment of the wood with a proprietary product is recommended on an annual basis.

Climbing frame timber is supplied untreated, for you to decorate and finish to your own taste and style. We strongly advise that you treat your timber product as soon as you construct it! and continue to treat it regularly to strengthen it against varying weather conditions. If left untreated, your product will begin to show signs of deterioration.

If constructing and treating the timber during wetter seasons, check the weather forecast and construct during a dry spell. Make sure that the product is dry before you begin treatment. Same applies for the maintenance; so that it is undertaken in dry weather.

Once you've applied your wood treatment, you need to make sure it's properly maintained. Follow the manufactures guidelines; most treatments need to be reapplied every three to five years.

Our round pole swing are constructed using high-quality, pressure-treated timber to ensure durability and longevity. The timber undergoes a specialized treatment process where preservatives are infused under high pressure, protecting it from rot, fungal decay, and insect damage in accordance with Biocidal Products Regulations (BPR, Regulation (EU) 528/2012).

While the timber may have a greenish tint initially due to the treatment, this will fade over time to a natural color without affecting its structural integrity. The poles are precision-machined to ensure a smooth finish, reducing splinters and enhancing safety. As a natural material, minor cracks and splits may appear due to environmental changes, but these do not compromise the strength or performance of the swing and have been checked to ensure they conform with DIN 68364. This standard states that cracks and splits are permissible as long as they do not exceed one-fourth of the diameter of the pole and do not significantly weaken its structural integrity.

MAINTENANCE CHECKLIST

Check the following at the beginning of each playing season;

- Tighten all hardware. DO NOT OVERTIGHTEN as to cause cracking or splintering of the wood.
- Lubricate all metallic moving parts per manufacturer's instructions.
- Check all protective coverings on bolts, pipes, edges, and corners. Replace if they are loose, cracked, or missing.
- Check all moving parts including swing seats, ropes, cables, and chains for wear, rust, or other deterioration. Replace as needed.
- Check metal parts for rust. If found, sand and repaint using a nonleaded-based paint meeting the requirements of EN 71-3.
- Check all wood members for deterioration and splinters. Sand down splinters and replace deteriorating wood members.
- Reinstall any plastic parts, such as swing seats or any other items that were removed for the cold season.
- Rake and check depth of loose fill protective surfacing materials to prevent compaction and to maintain appropriate depth. Replace as necessary.

Check the following twice a month during playing season;

- Tighten all hardware. DO NOT OVERTIGHTEN as to cause cracking or splintering of the wood.
- Check all protective coverings on bolts, pipes, edges, and corners. Replace if they are loose, cracked, or missing.
- Rake and check depth of loose fill protective surfacing materials to prevent compaction and to maintain appropriate depth. Replace as necessary.

Check the following once a month during playing season;

- Lubricate all metallic moving parts per manufacturer's instructions.
- Check all moving parts including swing seats, ropes, cables, and chains for wear, rust, or other deterioration. Replace as needed.
- Remove plastic swing seats, tents, sandbox cover, tire swing, slide and other items as specified by the manufacturer and take indoors or do not use.



WARNING!

CONTINUOUS ADULT SUPERVISION REQUIRED. Most serious injuries and deaths on playground equipment have occurred while children were unsupervised! Our products are designed to meet mandatory and voluntary safety standards. Complying with all warnings and recommendations in these instructions will reduce the risk of serious or fatal injury to children using this play system. Go over the warnings and safe play instructions regularly with your children and make certain that they understand and follow them. Remember on-site adult supervision is required for children of all ages.

Product must be installed on suitable surfaces (i.e. do not install on concrete, slabs, asphalt, tarmac, or any hard/broken surface)

Adult assembly required. This product contains small parts and parts with sharp edges and points. Keep parts away from children until fully assembled.

Never add extra length to chain or rope. The chains or ropes provided are the maximum length designed for the swinging element(s).

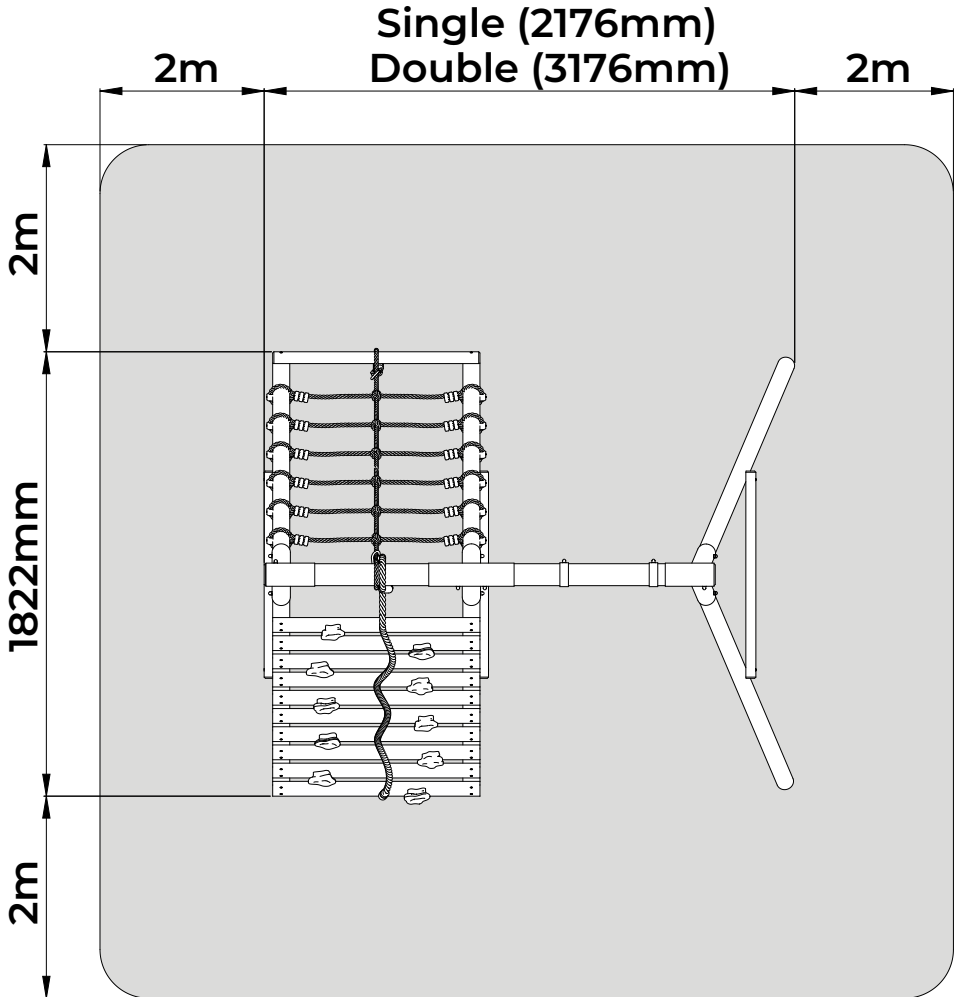
- This playset is intended for use by children aged from 3 to 10 years of age.
- On-site adult supervision for children of all ages is recommended.
- Instruct children not to walk close to, in front of, behind, or between moving items.
- Domestic outdoor use only, and must be installed by an adult! As a domestic product, this should not be installed in a school, public house garden or communal play area etc.
- Instruct children not to twist swing chains/ropes or loop them over the top support bar, as this may reduce the strength of the chain/ropes.
- Instruct the children not to use the playset in a manner other than that intended. Standing on or jumping from the roof, elevated platforms, swings, climbers, ladders or slide can be dangerous.
- Install on a flat surface (less than a 2% slope), this will reduce risk of instability and injury.
- Do not allow children to wear inappropriate items, such as but not limited to, loose fitting clothing, hood and neck drawstrings, scarves, cord connected items, capes and ponchos.
- Any changes to this toy e.g. changing or adding an accessory, must be done in accordance with our instructions. Failure to do this will render your guarantee null and void and may make your product unsafe.
- Instruct children not to climb when the equipment is wet or icy. Slippery surfaces may cause a hazard.
- This product contains small parts, and is therefore not suitable for children under 36 months (3 years)
- Instruct children not to walk or run up the slides, or go down the slide head first.
- Instruct children to not pick up slides or ramps as this may cause damage or breakage.
- Product must be installed in a clear safe area, 2m away from obstruction or structures. i.e. fences, garages, houses, trees/overhanging branches, laundry lines or electrical wires etc.
- Do not use the equipment until fully erected per this playset instruction manual, bolts tightened and the playset is anchored to the ground.
- If possible orientate/position the product so plastic components (Slides, swings, etc.) have reduced sun exposure

DIMENSIONS AND SAFE PLAY ZONE

Place the equipment on level ground, not less than 2m from any structure or obstruction such as a fence, garage, house, overhanging branches, laundry lines, or electrical wires.

While assembling unit, take time before and after each phase to make sure playset is level. If playset is not level, assembly will be difficult and improper assembly may result. Extra care must be taken to insure the playset fort is square.

The safe play area refers to a zone extending 2m beyond the play product on all sides, including the space above the play product



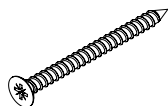
GROUND DIMENSION: 2.2-3.2m x 1.8m x 2.1m

SAFE PLAY DIMENSION: 6.2-7.2m x 5.8m x 4.1m

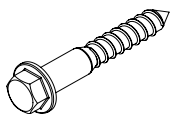
SAFE HEIGHT DIMENSION: 4.1m

MAXIMUM FALL HEIGHT: Not Applicable

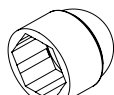
HARDWARE & PART COMPONENTS



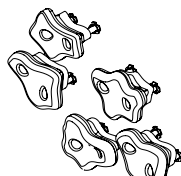
5 x 55mm
Wood Screw (48)



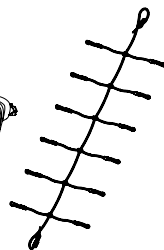
5 x 50mm
Flanged Coach Screw (14)



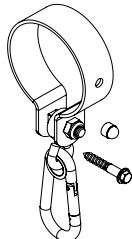
M6 Black Bolt Cap
(14)



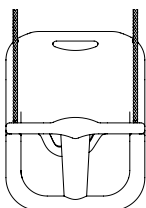
PI-21-0036 (2)



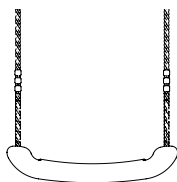
PI-21-0035 (1)



PI-21-0032 (2 or 4)



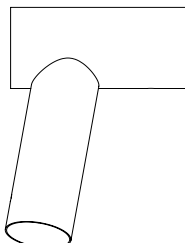
PI-21-0034 (1)



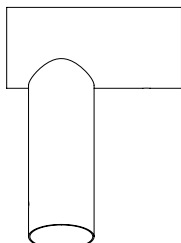
PI-21-0033 (1 or 2)



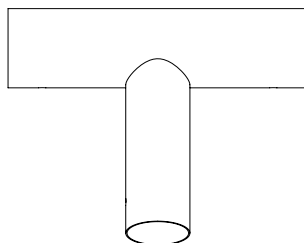
PI-21-0038 (1)



PI-21-0001








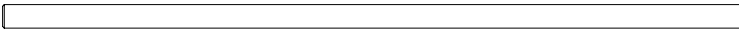



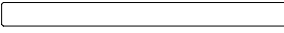


PI-21-0002



PI-21-0003

WOOD COMPONENTS (NOT TO SCALE)

P1	 (90mm)	 [PN: PI-21-0029]	x 1
P2	 (90mm)	 [PN: PI-21-0030] SINGLE SWING!	x 1
P3	 (90mm)	 [PN: PI-21-0031] DOUBLE SWING!	x 1
P4	 (70mm)	 [PN: PI-21-0028]	x 6
P5	 (120mm x 18mm)	 [PN: SR18120-850mm]	x 10
P6	 (70 x 35mm)	 [PN: PI-21-0027]	x 4

COMPONENT & HARDWARE SORTING

To ensure smooth and quick construction of the playset, it is critical that you take the time to sort through all of your timber and hardware, and separate them for ease of location.

A guide to do this would be:

- » Measure the timber pieces and separate them clearly
- » Any timber pieces that are the same size, stack them together
- » While separating them, count them and tick them off the contents page to ensure you have all pieces
- » Allow yourself plenty of room, as all of the timber layed out will take up a lot of space
- » Similar sized screws place together in small piles

TOOLS REQUIRED

As this product is a “Do-It-Yourself” construction method, and the timber has been supplied without pre-drilled holes, as the absence of pre-drilled holes helps in maintaining the wood’s integrity during transportation and handling, preventing potential splits or damages, you will need all of the following tools illustrated, and also either a high DIY skill set, or the assistance of a qualified and skilled contractor to help build your playset.



PZ2 Drill Bit



5mm Wood Drill Bit



10mm Wood Drill Bit



Allen Keys



Hammer



Impact Drill



Powered Drill



Tape Measure



Utility Blade



Spirit Level



8,10,13,14,17mm Spanners or Sockets



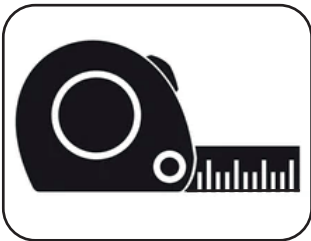
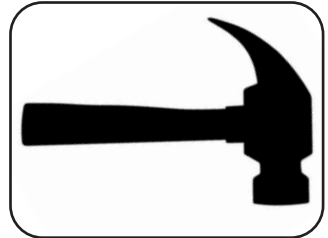
Step Ladders

GUIDANCE SYMBOLS



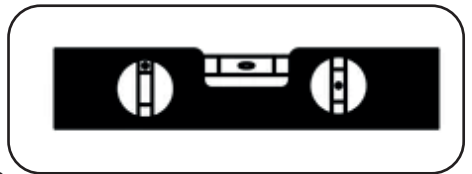
Pre-drill a hole before inserting screws to prevent the wood from splitting, ensuring a more secure fit, and making installation easier. Using the correct drill bit size for the screw will improve stability and durability. Always ensure that the drill is perpendicular to the timber unless otherwise specified.

Always wear safety glasses to protect your eyes from flying debris while using a hammer. Ensure you have a firm grip on the handle and strike the surface squarely to prevent glancing blows. Use the appropriate hammer for the task, and check that the head is securely attached to the handle before each use. Avoid using a damaged or worn hammer, and always keep fingers away from the striking area to prevent injury



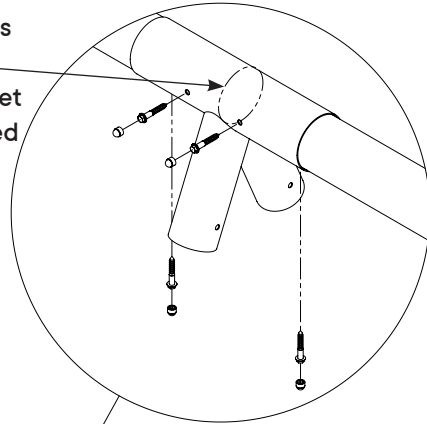
Always use a tape measure to ensure precise measurements before drilling, or assembling any components. Accurate measurements help prevent mistakes, material waste, and improper fits. Follow the instructions carefully, as they provide step-by-step guidance for correct assembly and installation. Double-check all measurements and alignments before proceeding to avoid errors that could compromise the final result.

Use a spirit level to ensure the playset is perfectly level while assembling. A level playset is crucial for safety, preventing tipping, uneven weight distribution, and structural stress. Place it on multiple surfaces, to check for accuracy. Adjust the ground or support structures as needed to achieve a stable, even foundation. Leveling helps ensure a safer play experience for children.

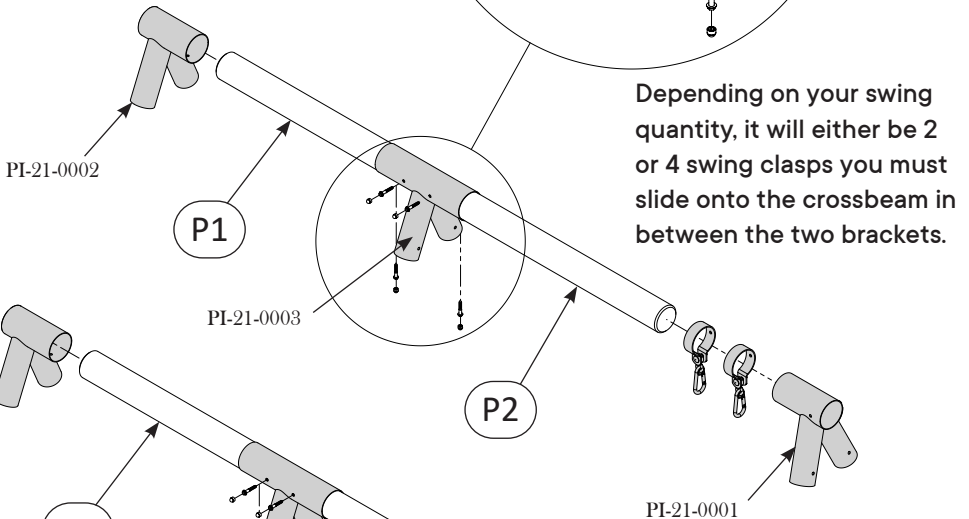




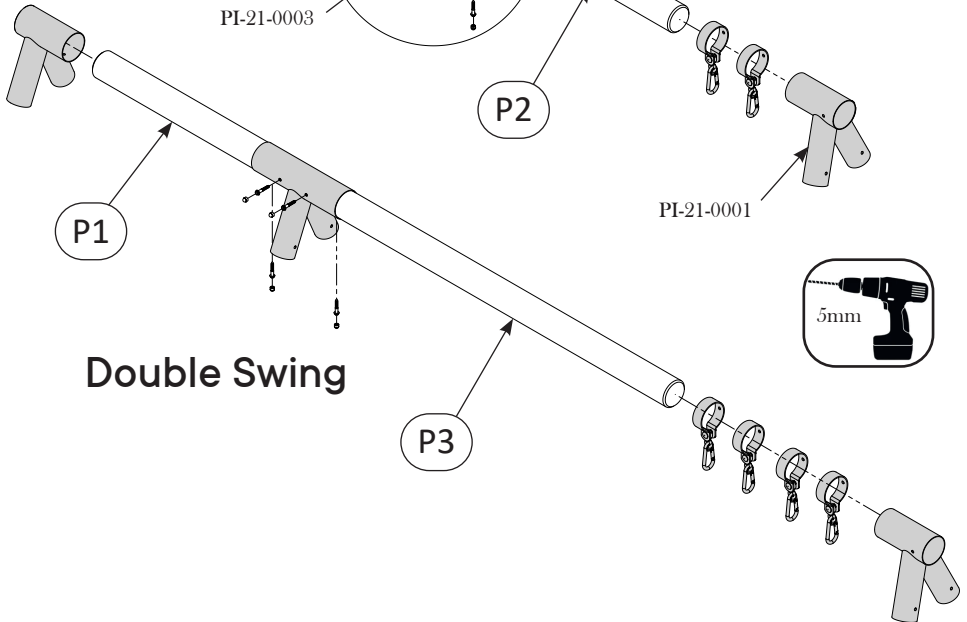
The two crossbeams must meet in the middle of the bracket and then be screwed together.




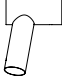
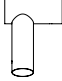
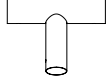

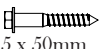
Single Swing

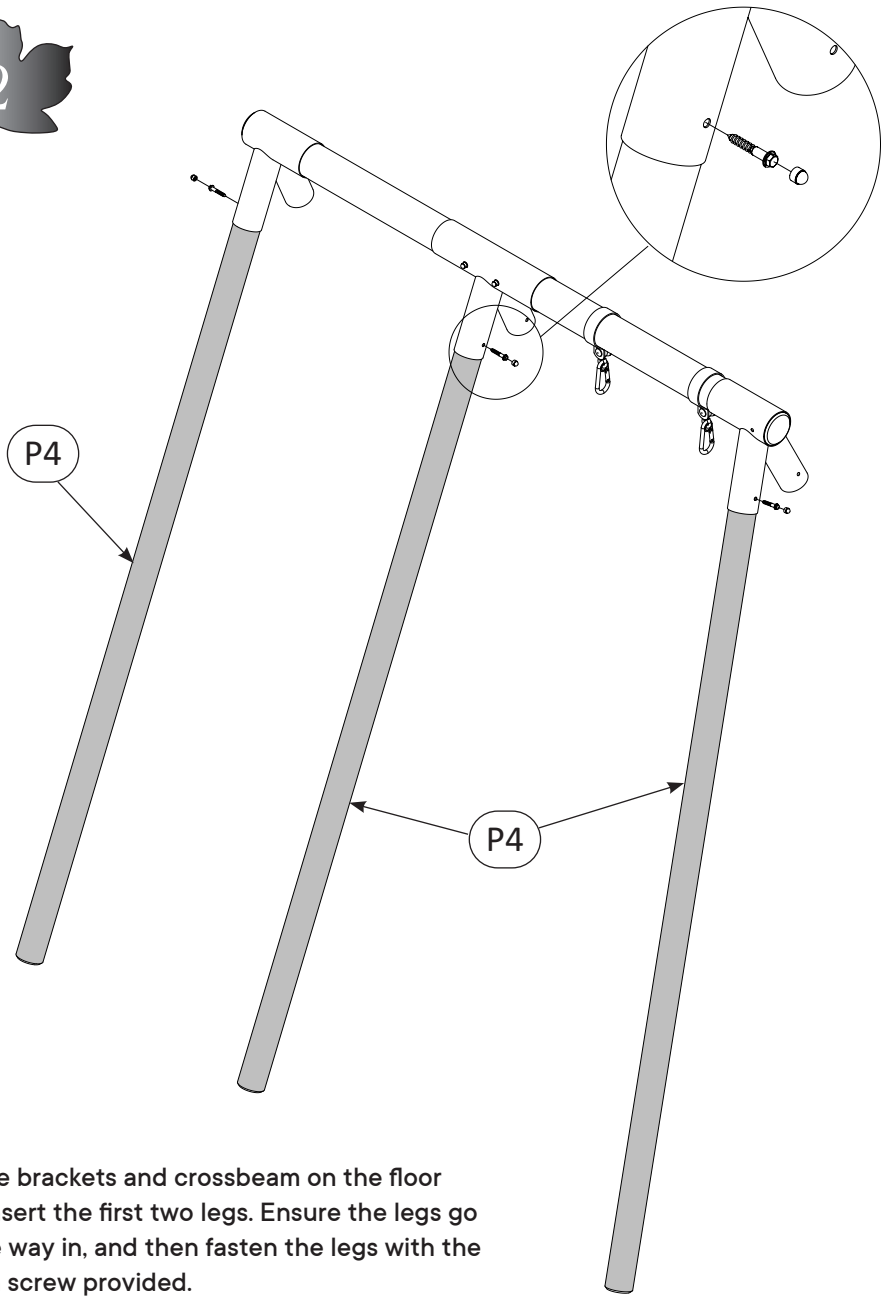


Depending on your swing quantity, it will either be 2 or 4 swing clasps you must slide onto the crossbeam in between the two brackets.



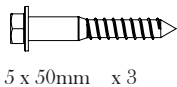
Double Swing

P1 x 1	P2 x 1	 M6 Black Cap x 4	 PI-21-0001 x 1	 PI-21-0002 x 1	 PI-21-0003 x 1	 PI-21-0032 x (2 or 4)
P3 x 1	 5 x 50mm x 4					



Lie the brackets and crossbeam on the floor and insert the first two legs. Ensure the legs go all the way in, and then fasten the legs with the coach screw provided.

P4 x 3



5 x 50mm x 3



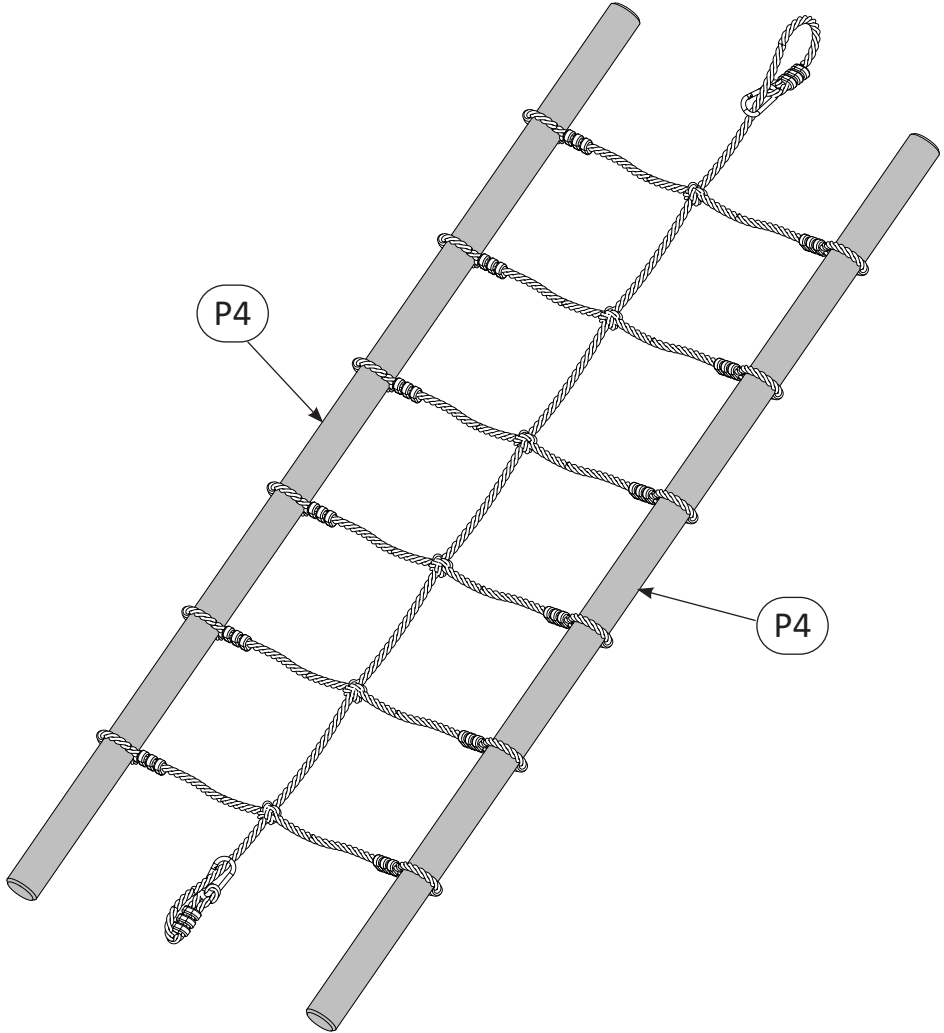
M6 Black Cap
x 3



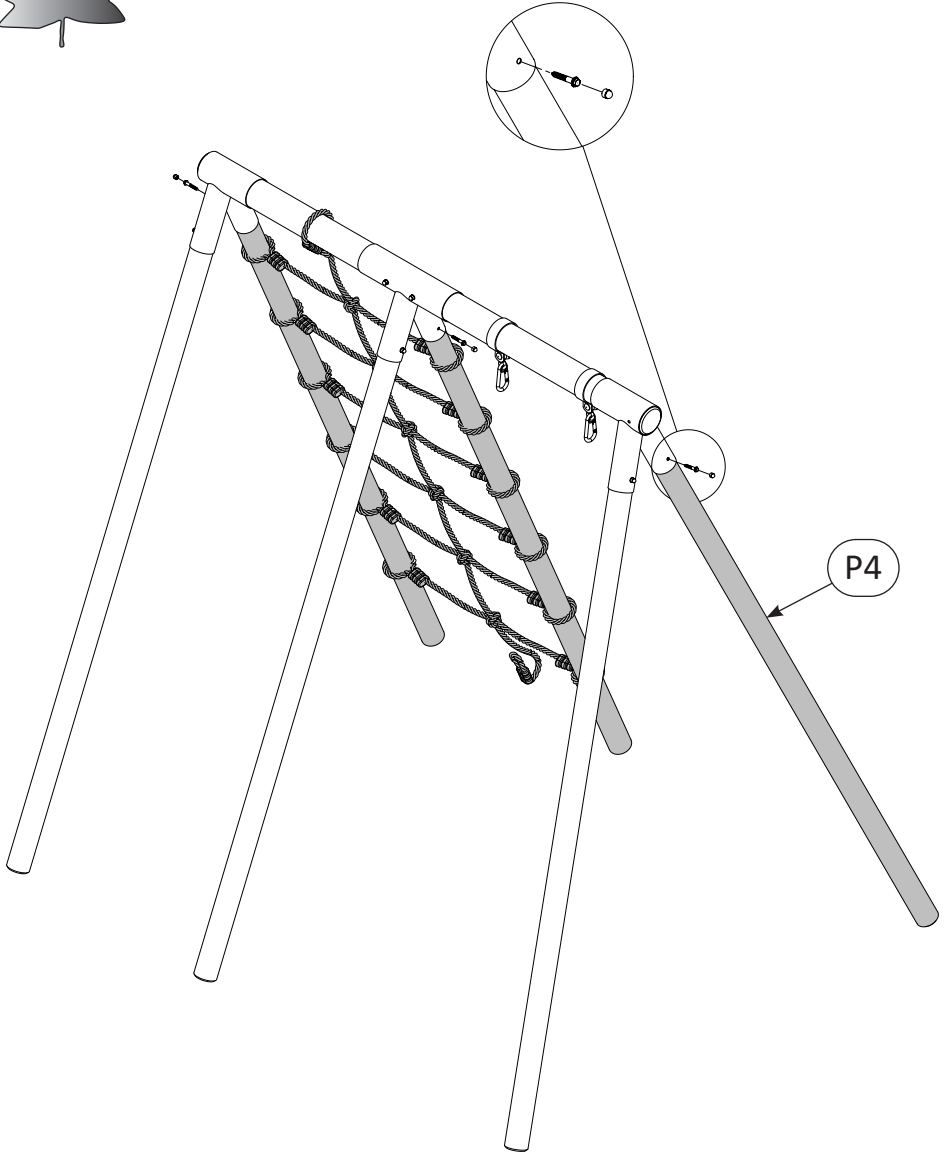
5mm



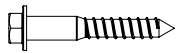
Lie down the two round pole beams,
and feed them through the cargo
net loosely.



P4 x 2



P4 x 1



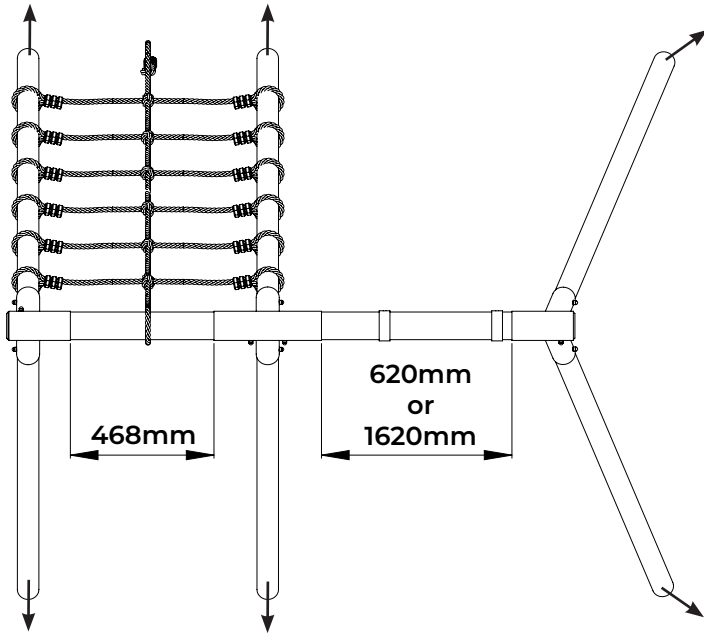
5 x 50mm x 3



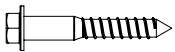
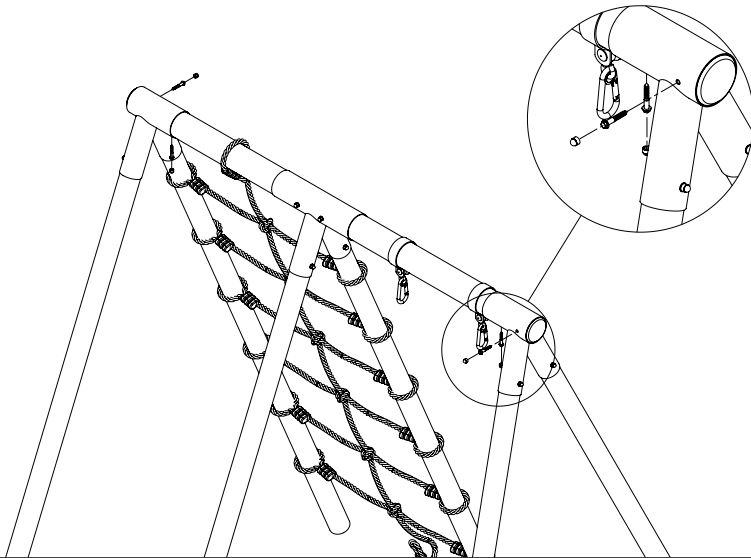
M6 Black Cap
x 3



5mm



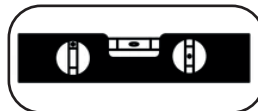
Pull all 6 legs apart to stabilise and level the swing.



5 x 50mm x 4



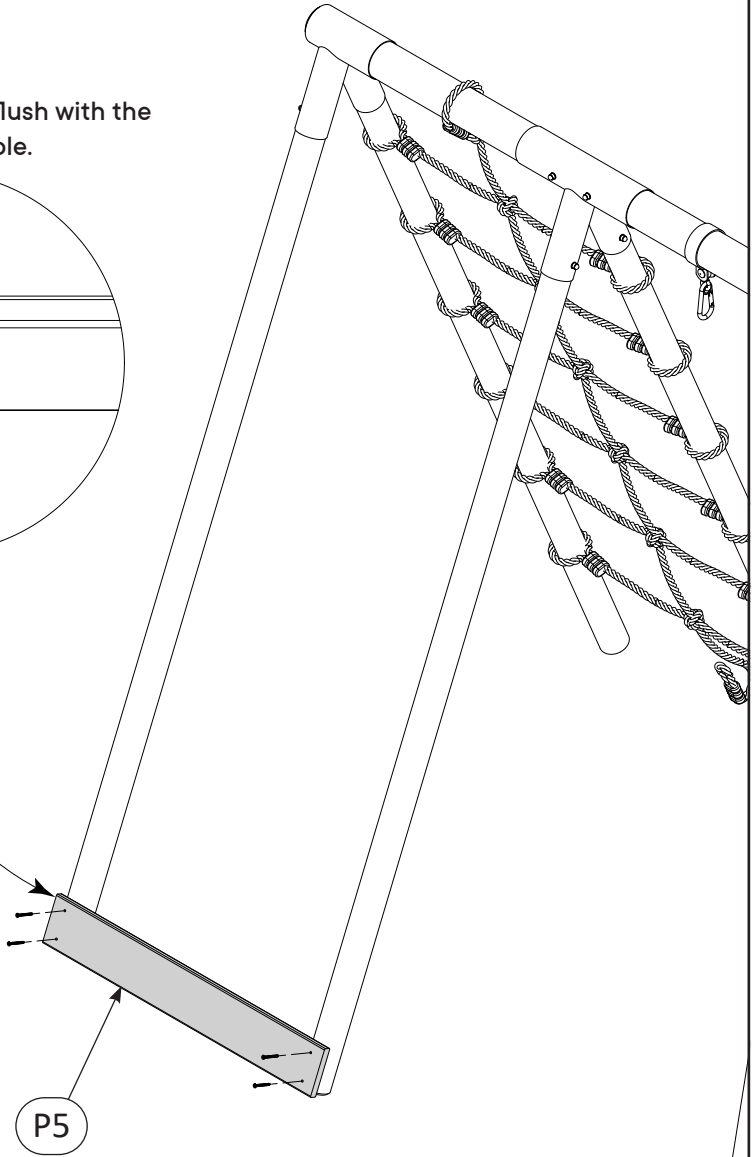
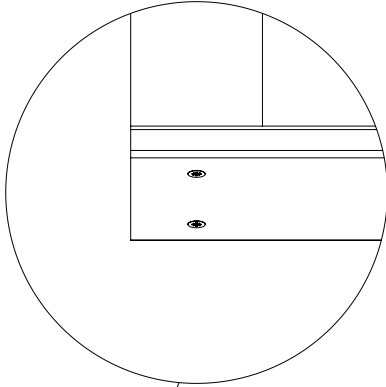
M6 Black Cap
x 4



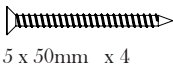
5mm



Ensure the board is flush with the edge of the round pole.

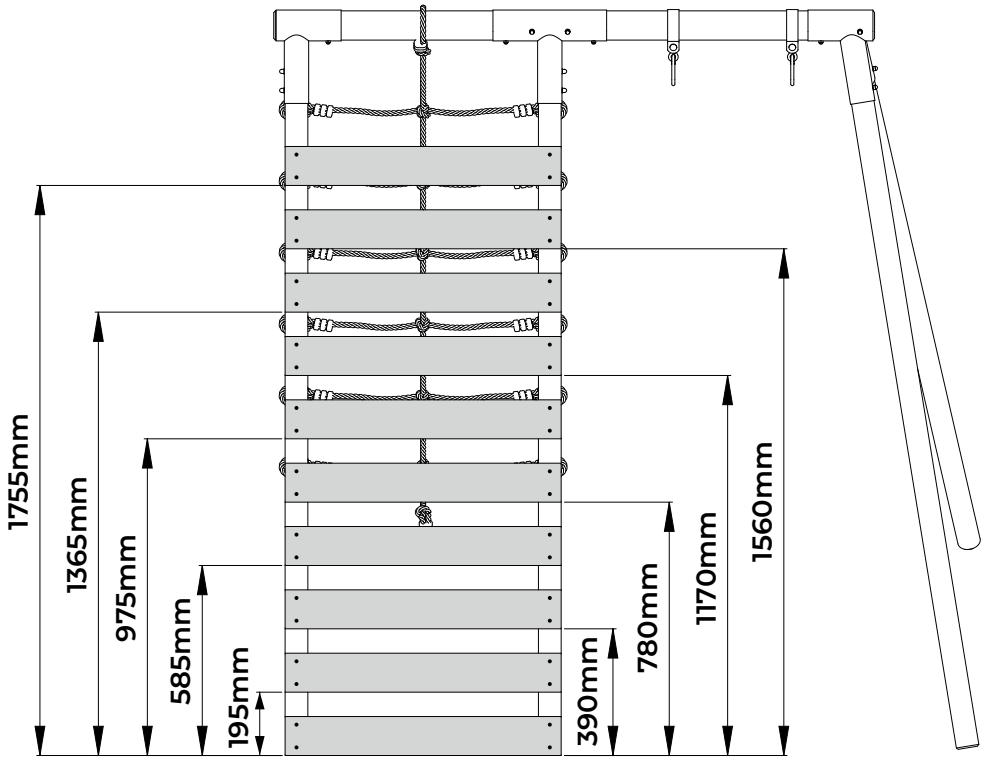
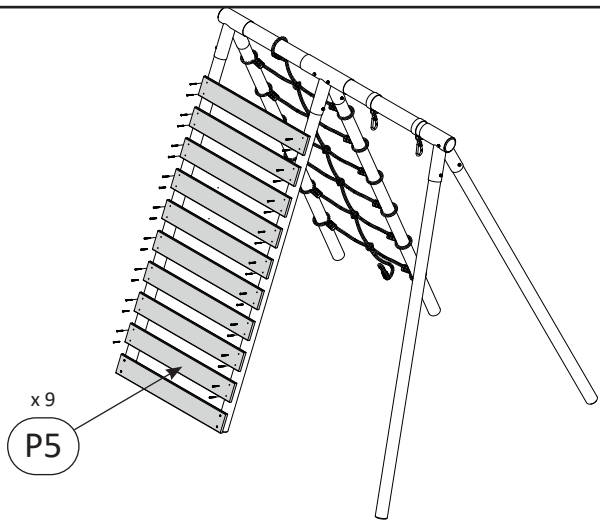


P5 x 1

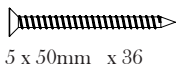


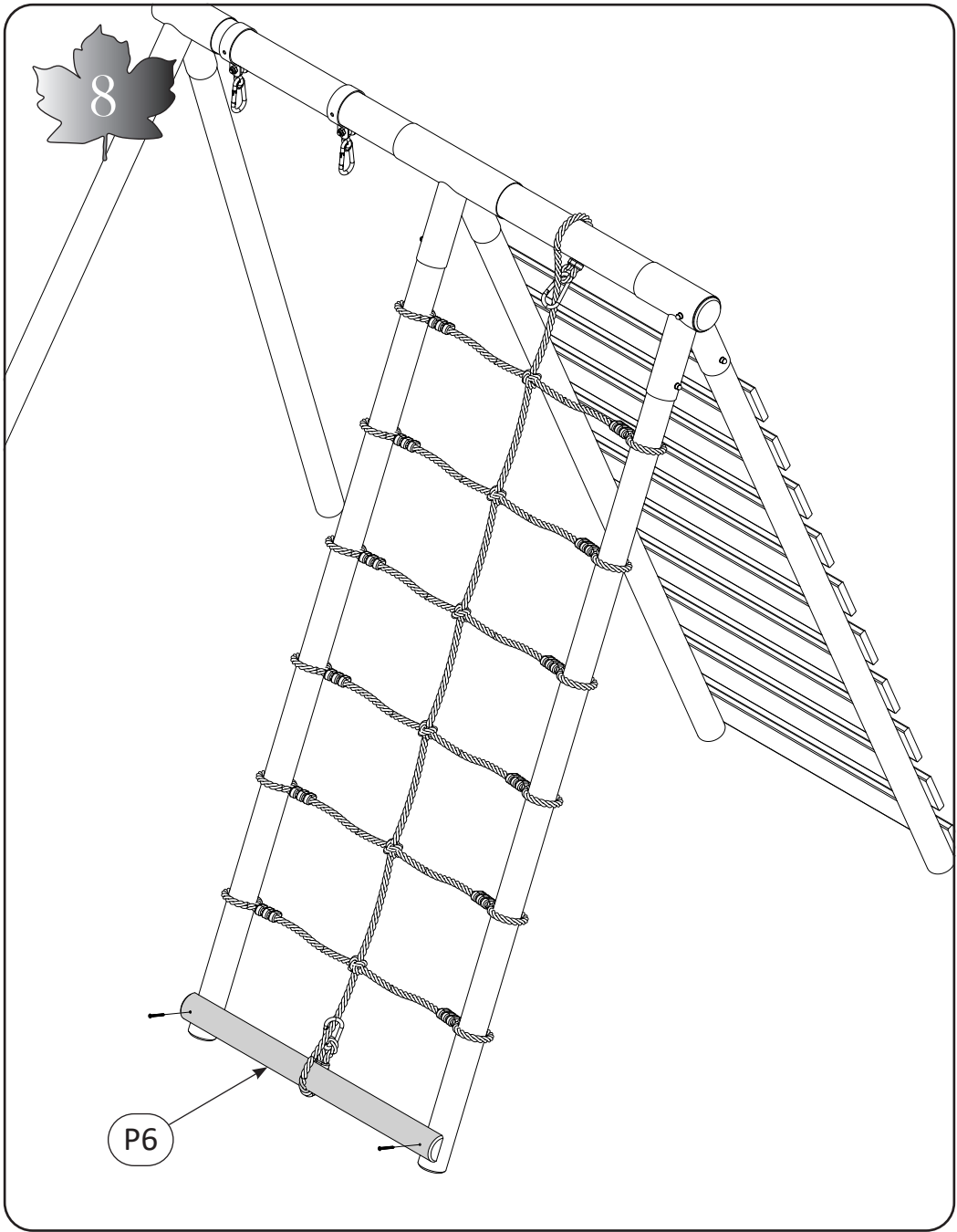
5 x 50mm x 4



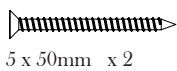


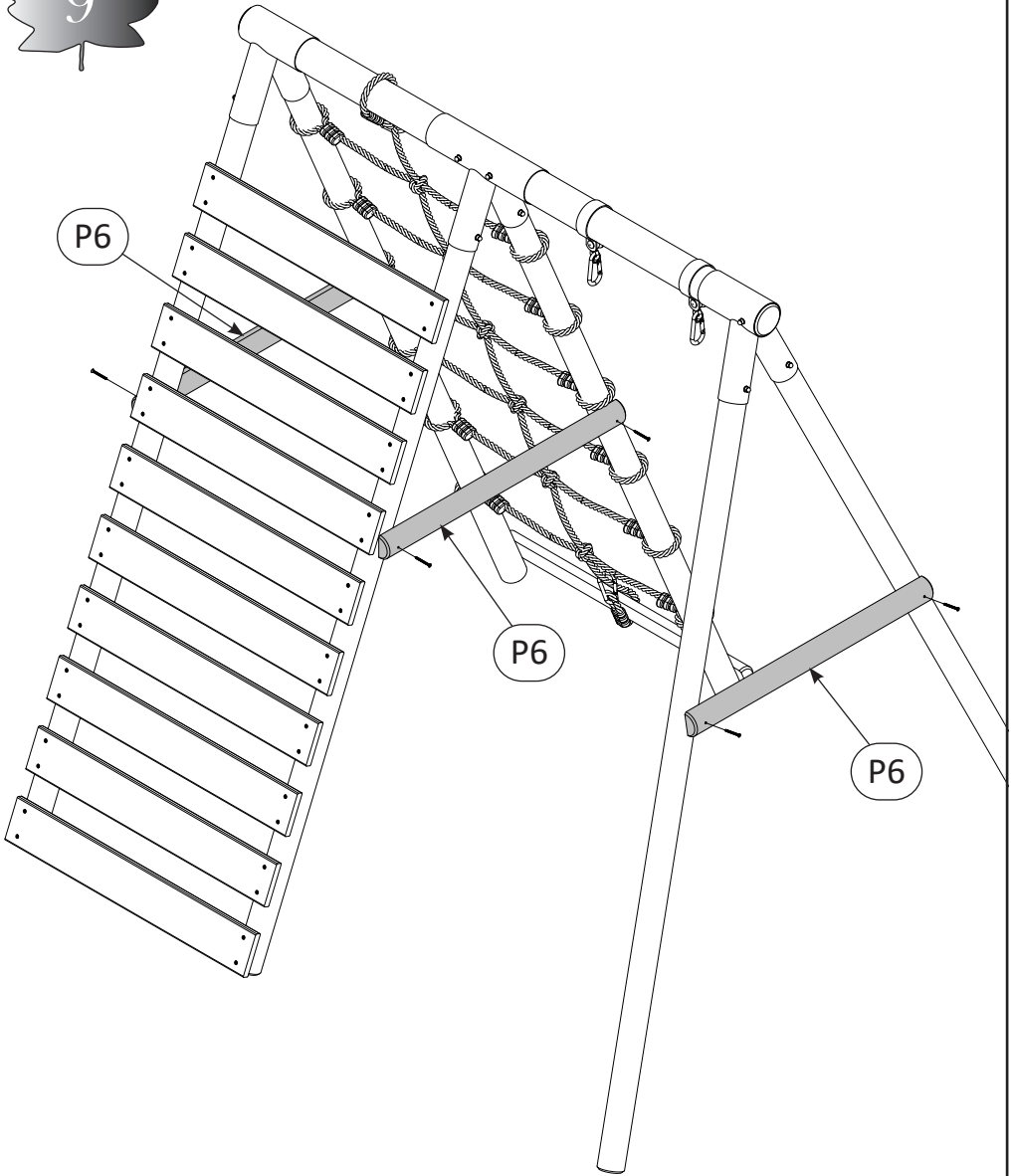
P5 x 9



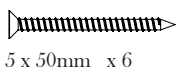


P6 x 1





P6 x 3

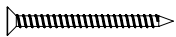
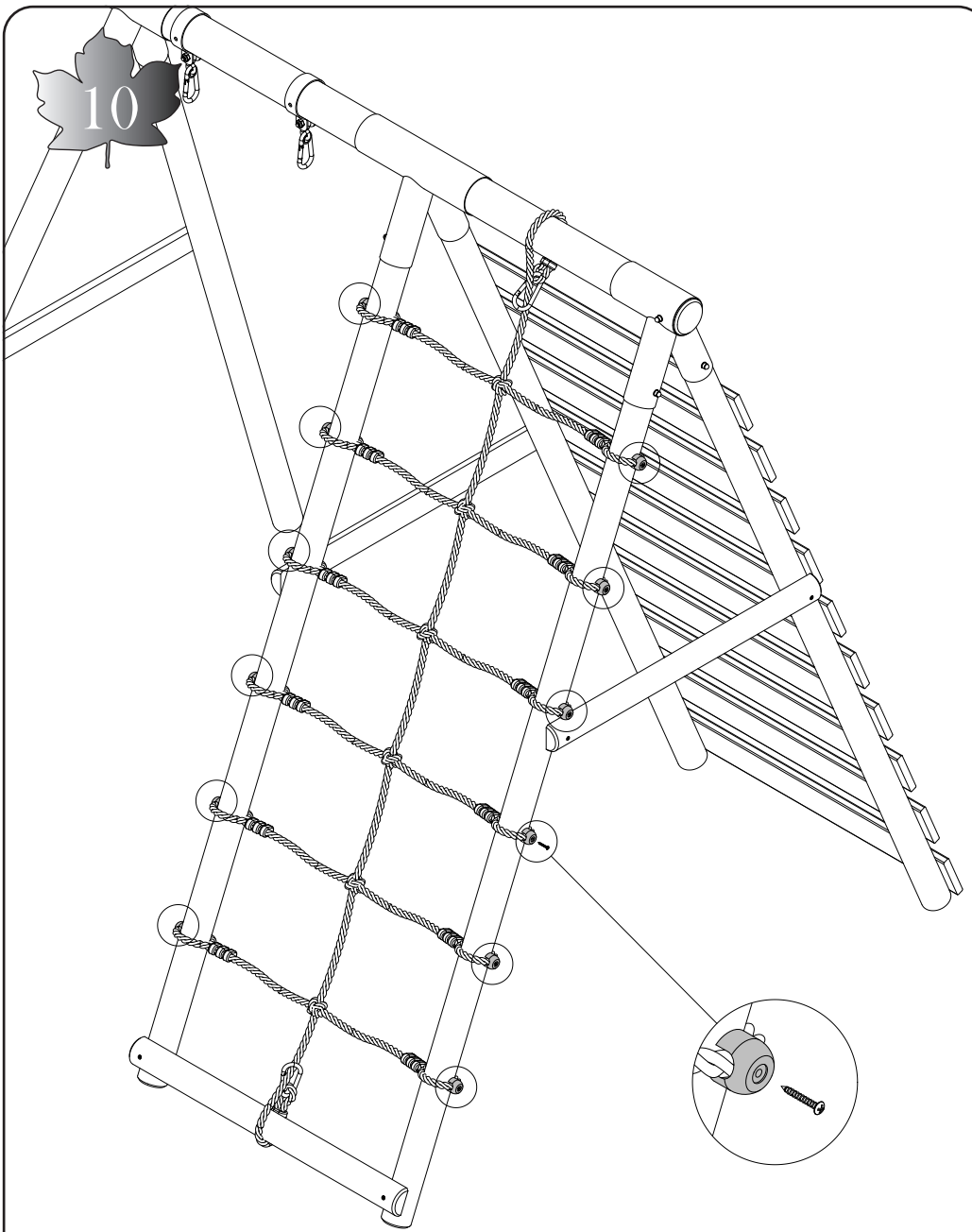


5 x 50mm x 6



5mm

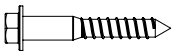
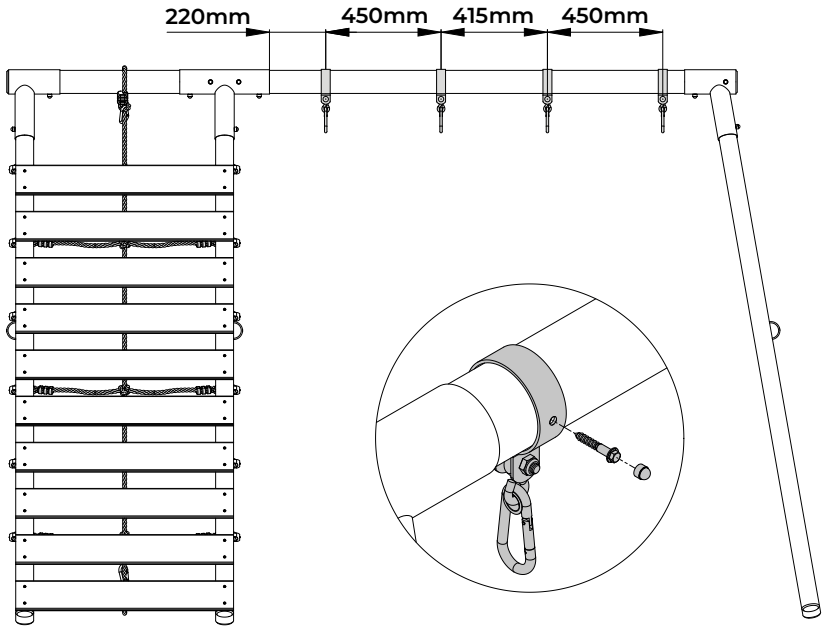
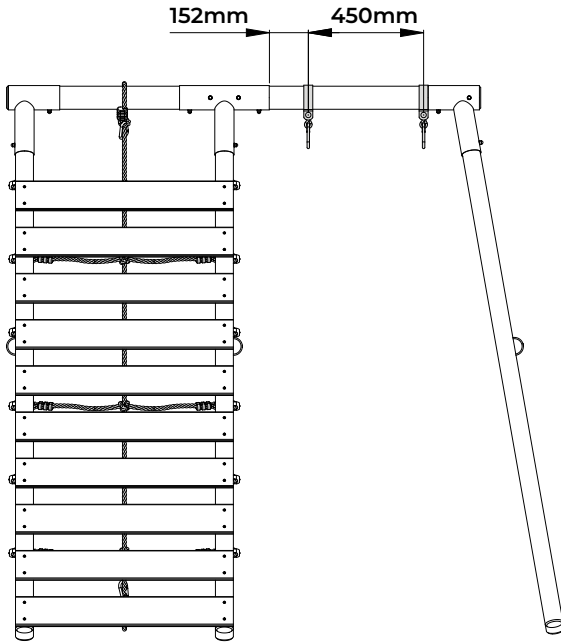
10



5 x 50mm x 12



Rope Clamp
x 12



5 x 50mm x (2 or 4)



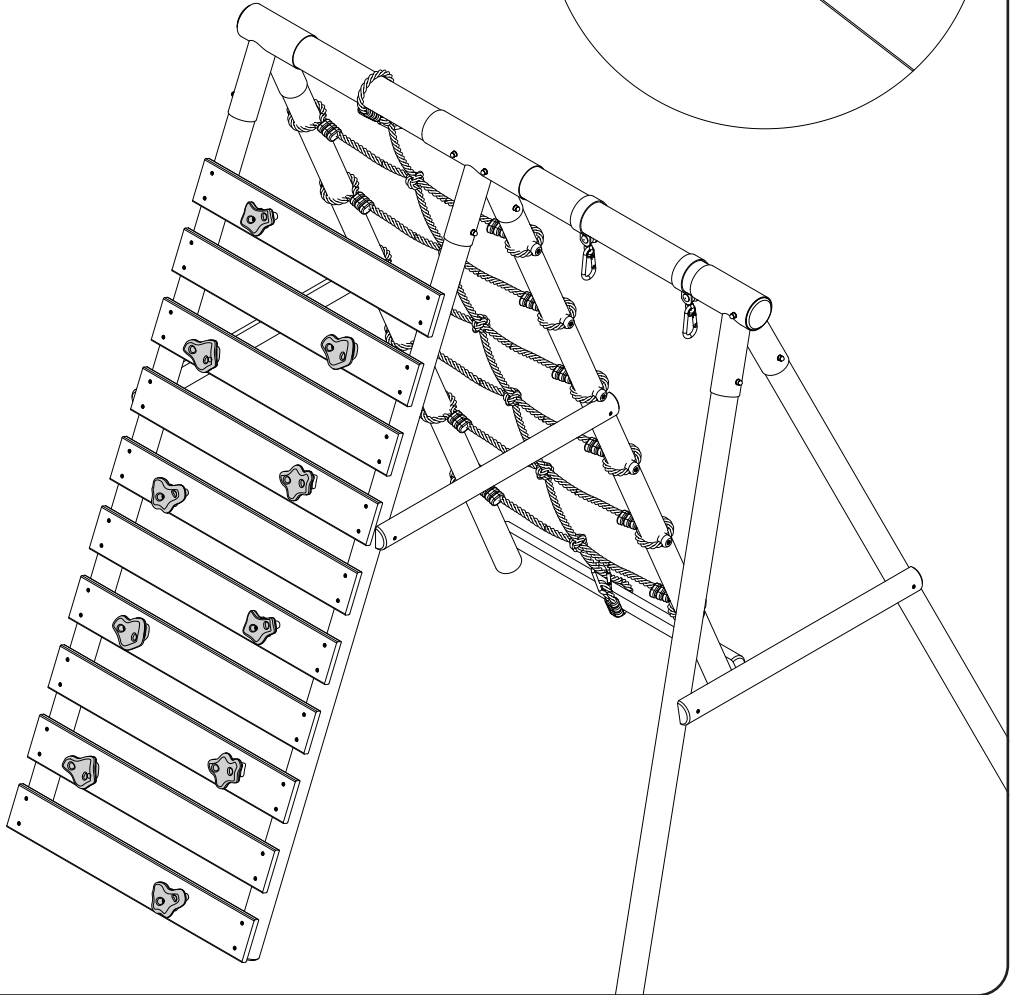
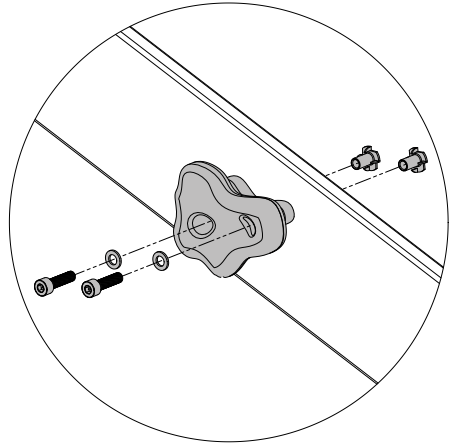
M6 Black Cap
x (2 or 4)



5mm



Line up the climbing hold and pencil mark where the holes are needed. Drill the hole using 10mm drill bit. Hammer the T-Nut into the back of the timber, and then fasten the climbing hold to the front as shown.

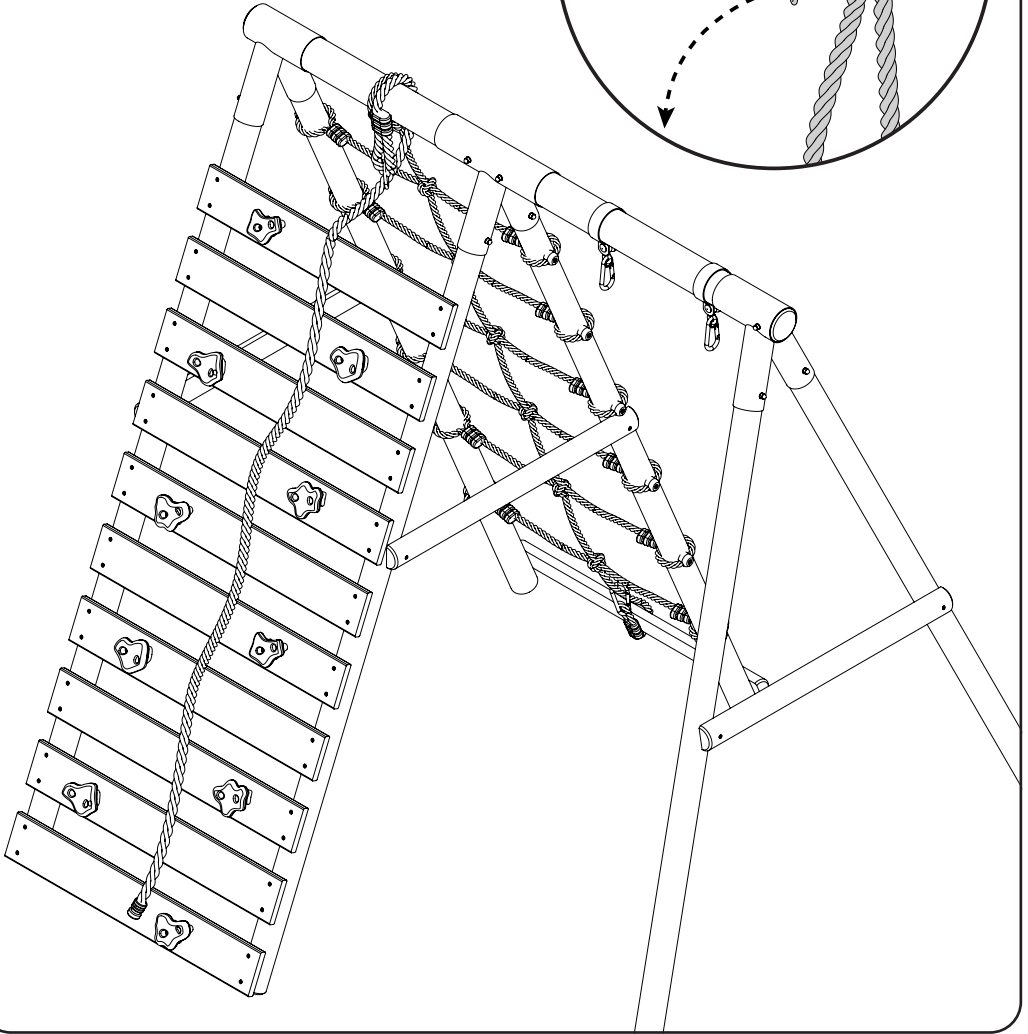
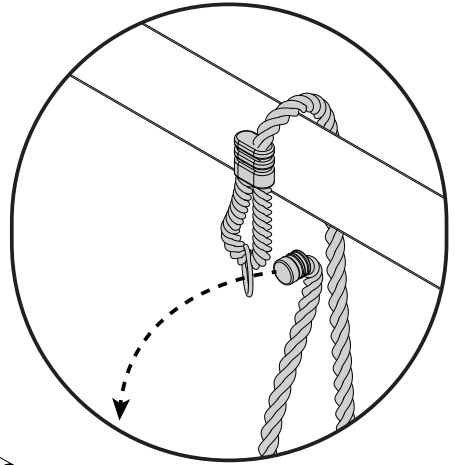


PI-21-0036 x 2





Feed the end of the rope through the metal hoop, and pull tight to wrap around the crossbeam.



PI-21-0038 (1)

Intentionally left blank.

Intentionally left blank.

Thank You!

We sincerely appreciate your purchase and trust in our products. Your satisfaction is our top priority, and we hope you and your children enjoy using it as much as we enjoyed creating it for you.

If you have any questions, need support, or want to share your feedback, please don't hesitate to reach out to us. We're happy to help!
