

# WM914

Integrated washing machine

Installation, use and maintenance

# Contents

3	Important information
4	Safety Warnings
5	Recommendations
6	Before first use
8	Detergents and additives
9	Eco note and loading the washing machine
10	Built-in installation
14	Installation
17	Diagram of the washing machine
17	Using the washing machine
18	Detergent dispenser & recommendations
20	Control panel & display
21	Starting a wash cycle
21	Programs, additional functions and indicators
26	Cleaning and maintenance
29	Troubleshooting
33	Technical specifications
35	International washing symbols
36	Electrical connection information

**IMPORTANT: Please read this instruction manual carefully before installation or using the appliance for the first time. Failure to install this appliance, or to have it installed, as per the instruction manual could invalidate your warranty.**

**Any service calls relating to misuse or incorrect installation could incur a service charge.**

**Please check our website for up to date manuals, as new information and changes are sometimes added.**

# Important information

The CDA Group Ltd. cannot be held responsible for injuries or losses caused by incorrect use or installation of this product. Please note that CDA reserves the right to invalidate the warranty supplied with this product following incorrect installation or misuse of the appliance.

This appliance is not designed to be used by people (including children) with reduced physical, sensorial or mental capacity, or who lack experience or knowledge about it, unless they have had supervision or instructions on how to use the appliance by someone who is responsible for their safety.

Under no circumstances should any external covers be removed for servicing or maintenance except by suitably qualified personnel.

**WARNING!:** Do not use the appliance if the plug, the mains cord or the appliance itself is damaged. If the mains cord is damaged, you must have it replaced by the manufacturer, or an authorised qualified person in order to avoid a hazard.

## Appliance information

Please enter the details on the appliance rating plate below for reference, to assist CDA Customer Care in the event of a fault with your appliance and to register your appliance for warranty purposes.

<b>Appliance Model</b>	
------------------------	--

<b>Serial Number</b>	
----------------------	--

## UK EU Declarations of Conformity:


This appliance has been manufactured to the strictest standards and complies with all applicable legislation and the following European Directives.

- Electrical Equipment (Safety) Regulations 2016
- The Low Voltage Directive 2014/35/EU
- Electromagnetic Compatibility Regulations 2016
- Electromagnetic Compatibility Directive 2014/30/EU
- ErP Directive 2009/125/EU

The product has been marked with the **CE** and UKCA symbol and the Declaration of Conformity has been issued to the manufacturer and is available to the competent authorities regulating the market.

## **IMPORTANT INFORMATION FOR CORRECT DISPOSAL OF THE PRODUCT IN ACCORDANCE WITH EC DIRECTIVE 2012/19/EU.**

At the end of its working life, the product must be taken to a special local authority waste collection centre or to a dealer providing appliance recycling services.

Disposing of a household appliance separately avoids possible negative consequences for the environment and health. It also enables the constituent materials to be recovered, saving both energy and resources. As a reminder of the need to dispose of household appliances separately, the product is marked with a crossed-out wheeled dustbin .

### **User information**

- If the plug or cord is damaged, do not connect the appliance to the mains power supply. If the cord is damaged it should be replaced by the manufacturer or appointed service agent in order to avoid a hazard. If the appliance is damaged, contact your retailer.
- To remove the plug from the socket, pull on the body of the plug, not the cable.
- Do not plug the appliance in to the mains power supply with wet or damp hands, or when the sockets are wet or damp.
- Never touch the appliance with wet hands or feet.
- Never open the detergent drawer when a programme is running.
- Never force the appliance door open when a programme is running.
- Since the appliance can reach high temperatures while running, do not touch the drain hose or drained water during draining.
- In case of failure, first unplug the appliance and close the water tap.
- Repairs on this appliance should only be undertaken by suitably qualified personnel.
- Keep the packing materials away from children to prevent risk of injury.
- Do not let children play with the washing machine.
- Keep pets away from the appliance.
- The appliance should not be installed on carpeted surfaces as this can block the air ventilation on the base.
- **INSTALLATION** - This appliance is for built-in use only.

## Warnings

To avoid the risk of fire, electric shocks, injury or damage when using your washing machine, please take the following precautions:

- Please read all the instructions before using the washing machine.
- Do not wash items that have previously been cleaned, washed, soaked or treated with petrol, solvents for dry cleaning, other inflammable substances or explosives, as they produce fumes that could catch fire or explode.
- Do not add petrol, solvents for dry cleaning or other inflammable or explosive substances to the wash water as they produce fumes that could catch fire or explode.
- Do not repair or replace any part of the washing machine or try to carry out any type of servicing unless it is recommended in the maintenance instructions in the manual.
- Do not climb onto the machine or stand on the open porthole door.
- Do not use an extension lead or adaptor to connect your washing machine to the mains supply.
- Follow the washing instructions recommended by the manufacture of the garment to be washed.
- Do not turn your washing machine on until you are sure that it has been installed in accordance with the installation instructions.
- All the water, drainage, mains electricity and earth connections meet the local regulations and/or other applicable regulations.

**NOTE:** Ensure that the transit bolts have been removed prior to using the machine (see page 32).

## Recommendations

- Residues of detergent or softener left in the detergent drawer for long periods will dry and stick to the detergent drawer. To prevent this put the detergent and softener into the detergent drawer just before washing.
- It is recommended that the pre-wash programme should only be used for very dirty or stained clothes.
- Do not exceed the maximum loading capacity.
- When the machine is not in use, keep the water tap closed.
- The appliance is not intended for use by people (including children) with reduced physical, sensory or mental capabilities, or lack of experience and knowledge, unless they have been given supervision

or instruction concerning use of the appliance by a person responsible for their safety. Children should be supervised to ensure that they do not play with the appliance.

- If the appliance is not to be used for prolonged periods of time, unplug the appliance, close the water tap and leave the door ajar to keep the inside of the machine dry and to prevent unpleasant odours from developing.
- As a result of the quality control procedures during production, a certain amount of water may remain in the appliance. This is normal and does not signify a fault.
- Do not remove the rating plate. The information on it is important.
- This appliance should not be installed in locations where the ambient temperature may fall below 0°C. Use in ambient temperatures below 0°C may damage the machine.
- The most energy and water efficient wash programmes are generally those that run at a low temperature and for a long time.
- Loading the washing machine to the full capacity indicated by the manufacturer for the respective wash programmes will save energy and water.

## Unpacking

During transportation, protective packaging is used to protect the appliance against any damage.

- After unpacking, please dispose of all elements of packaging in a way that will not cause damage to the environment.
- All materials used for packaging the appliance are environmentally friendly; they are 100% recyclable and are marked with the appropriate symbol.
- **WARNING!** While unpacking, packaging materials (polythene bags, polystyrene pieces, etc.) should be kept out of reach of children.

## Before first use

When your washing machine has been correctly installed, we recommend that you pre-clean the machine. This is to check that the installation, the connections and the drainage are all correct, and to thoroughly clean the inside of the washing machine before any wash programmes are run.

**NOTE:** Prior to pre-cleaning you should ensure the transit bolts have been removed.

Your appliance was thoroughly checked before it left the factory. To remove any residual water and to neutralise potential odors, it's recommended to clean your appliance before first use. For this reason, recommended to clean the inner drum by running the "Drum Clean" or other program with the optional temperature of 90°C. Be careful not to put laundry and detergent in the machine.

### **Calibration**

It's recommended to calibrate the machine, in order to provide the best performance. The appliance is able to detect the amount of laundry loaded. This function is optimising the product performance by minimising energy and water consumption, saving you money and time. For this reason it's recommended to calibrate the appliance for best use.

1. Remove all accessories from the drum and close the door.
2. Insert the mains plug to the socket.
3. Switch on the washing machine, and within 10 seconds, press "Temp." and "Steam" simultaneously and continuously (normally 3 seconds) until "t19" is displayed.
4. Press "Pause/Start" to start the appliance, initially "\*\*\*\*" is displayed, and then "\*\*\*\*\*" (such as "126") is displayed to indicate the real time drum speed. If the machine is successfully calibrated, "PAS" will be displayed, otherwise, "FAL" will be displayed.

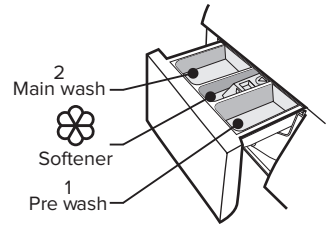
### **Preparing garments for washing**

- Wash lightly soiled garments using a short programme.
- Use a programme without prewash for medium-soiled garments.
- Wash heavily soiled garments using a long programme with prewash.
- Wash white and coloured loads separately.
- We recommend that small garments are placed in a wash bag.
- We recommend using the delicate programmes for sensitive fabrics.
- Separate clothes according to their types (cotton, synthetic, sensitive, woollen, etc.), required washing temperatures and level of dirtiness.
- Since new coloured clothes may shed dye on the first wash, wash them separately.
- Remove any foreign objects found on the items to be washed, for example curtain hooks and wires.

- Fasten all zips and buttons.
- Turn garments, such as knitted fabrics, inside out.
- Before placing the clothes in the drum, make sure all the pockets are empty. Any small objects may block the drain pump.
- We recommend loading the washing machine to its full capacity for best water and energy efficiency.
- Whenever possible, we recommend that you wash garments of different sizes within the same wash programme. This improves the washing action and also aids the correct distribution of the garments in the drum when spin-drying, and the washing machine will therefore be quieter.

### Detergents and additives

Your washing machine's detergent dispenser has three sections as shown in the diagram. Add the required amount of detergent and fabric softener into the specific sections of the detergent dispenser before starting the wash programme.



The detergent dispenser is designed to allow the use of detergents rather than adding them to the drum. You should only insert liquid detergent into the main wash detergent compartment and ensure that concentrated liquid detergent is diluted with an equal quantity of water before use.

Liquid detergent should not be used on programmes with a prewash stage or when using the delay timer.

For wash loads that require pre-washing, add  $\frac{1}{4}$  of the required powder detergent into the prewash section, and the remainder to the main detergent section.

Do not exceed the “MAX” level in the fabric softener section and ensure that concentrated fabric softeners are diluted before use for best washing results and to help prevent clogging.

Remember that the amount of detergent to be used will always depend on:

- The amount of clothes to be washed.
- How heavily the clothes are soiled.
- The hardness of the water (Information on water hardness in your

area can be obtained from your local water board).

**NOTE:** We recommend the use of a decalcifying product if the water hardness is high in your area.

### **Eco note**

The use of more detergent than necessary will not improve your washing results. Many brands of detergent (and fabric softener/conditioner) contain phosphates which escape sewage treatment and can cause excessive algae growth in waterways. This in turn can pollute drinking water and cause marine life 'dead zones' which are underwater environments deprived of oxygen that are subsequently unable to support life. Please consider the environment and try to source an environmentally friendly brand.

### **Loading the washing machine**

- Open the door.
- Remove any foreign objects from the appliance
- Add the items to be washed separately, ensuring they are loaded evenly.
- When closing the door, ensure that no item is trapped between the door and the door seal.
- Close the door securely, otherwise the programme will not start.

**NOTE:** When closing the door, please make sure that your clothes are not caught between the sealing ring and the machine door to prevent water leakage caused by pulling and damaging the sealing ring during operation.

## Built-in installation

• To ensure a safe experience, please note the following important requirements for the toe kick installation:

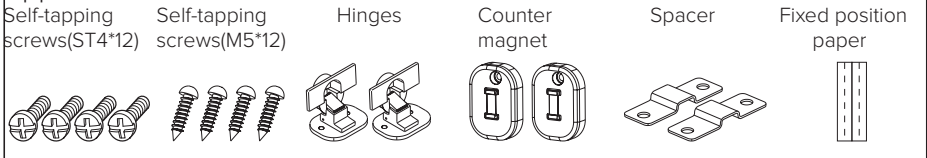
1) Electrical Safety: The toe kick must be properly installed before using the appliance. This essential step protects you and your family by preventing accidental contact with electrical components and significantly reducing the risk of electric shock.

2) Physical Safety: To safely shield you from the appliance's moving parts, the installed toe kick must meet these specific dimensions for your protection:

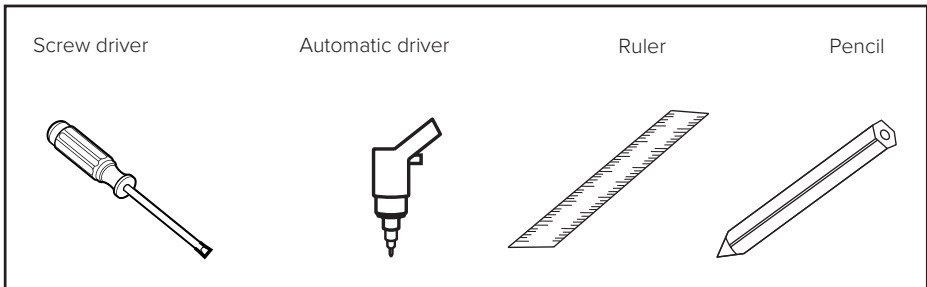
Length: minimum 595 mm, Height: minimum 145 mm.

Maximum Gap: After installation, the space between the toe kick and the front of the appliance should be no more than 15 mm.

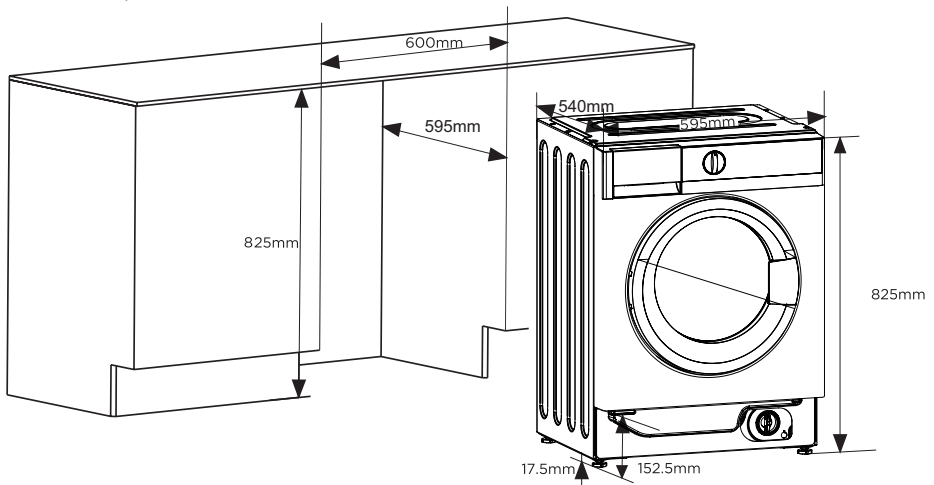
## Appendix



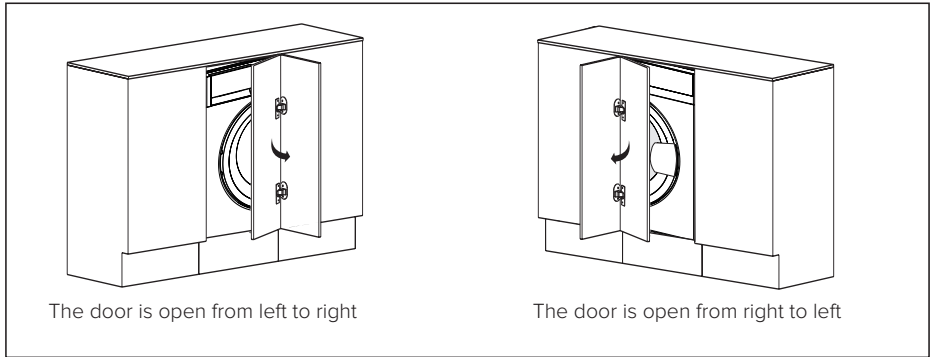
## Tool



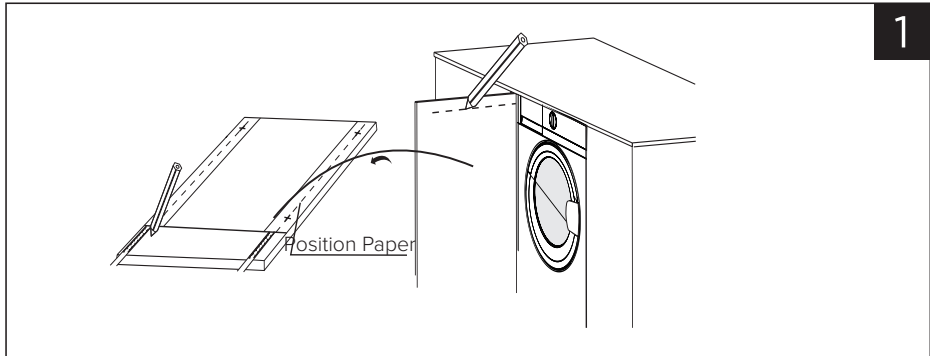
## Install Steps



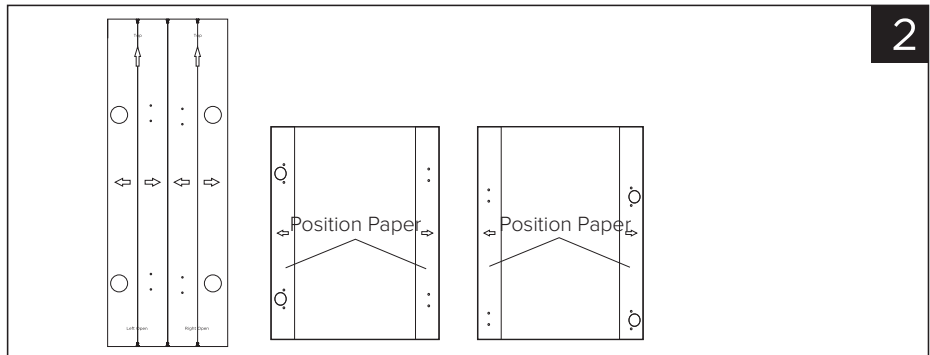
## Overview



Preparation and assembly of the door

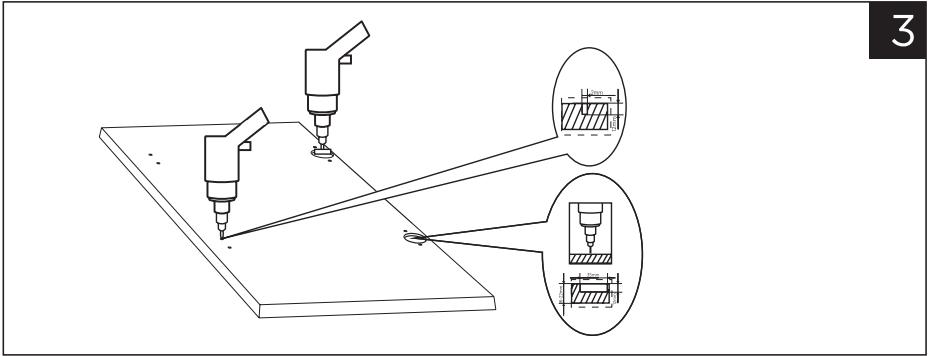


Make the mark on the door

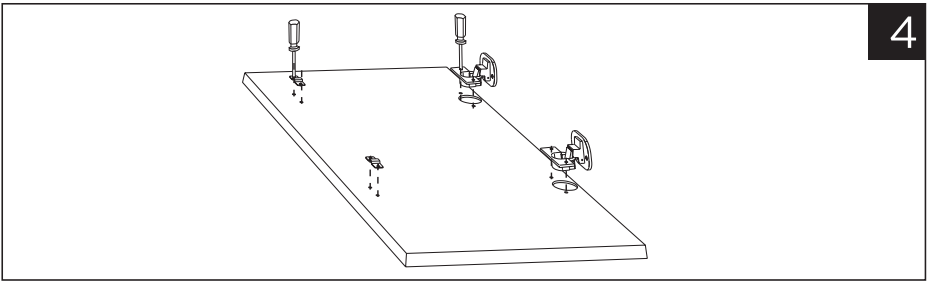


Fixed position paper on the door.

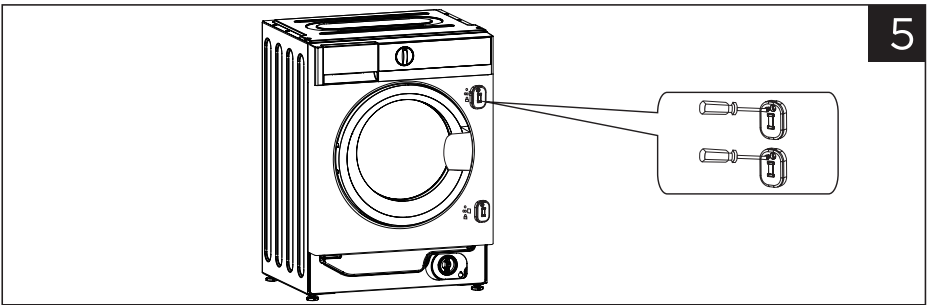
**NOTE:** Always ensure that a decorative plinth is installed in front of the machine, and that this is removable for access to the drain pump.



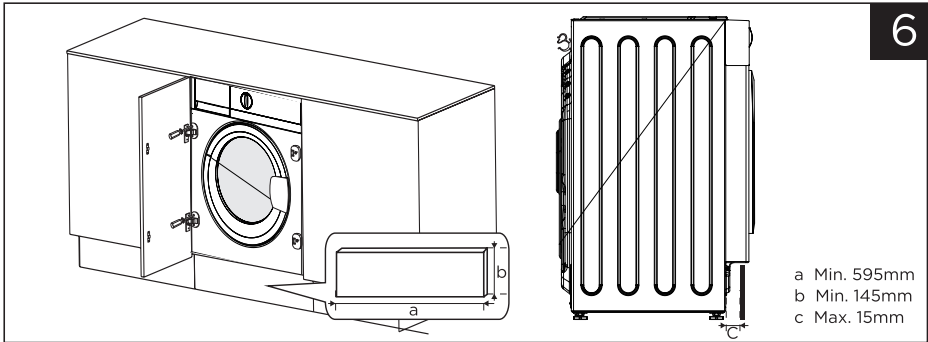
Drill hole on the door



Installation the hinges and spacer



Installation the counter magnet



Installation the door

### **WARNING!**

- When installing the appliance into the kitchen ensure furniture, if possible, the hoses are placed in either of the two recesses on the back of the appliance.

This will help to prevent the hoses from becoming kinked or trapped.

- To ensure a safe experience, please note the following important requirements for the toe kick installation:

1) Electrical Safety: The toe kick must be properly installed before using the appliance. This essential step protects you and your family by preventing accidental contact with electrical components and significantly reducing the risk of electric shock.

2) Physical Safety: To safely shield you from the appliance's moving parts, the installed toe kick must meet these specific dimensions for your protection:

Length(a): minimum 595 mm, Height(b): minimum 145 mm.

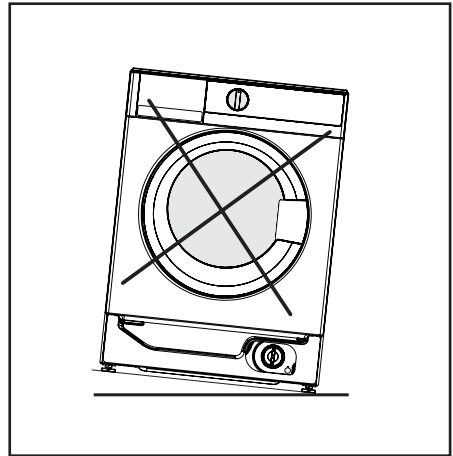
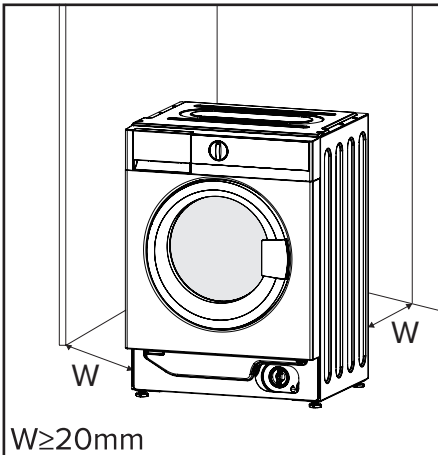
Maximum Gap (c): After installation, the space between the toe kick and the front of the appliance should be no more than 15 mm.

Following these guidelines helps us ensure your complete safety. Thank you for your attention to these important details.

# Installation

## Installation area

- Stability is important to prevent the product from wandering!
- Make sure the machine is standing leveled and stable.
- Make sure that the product does not stand onto the power cord.
- Make sure to maintain the minimum distances from the walls as shown in the picture.



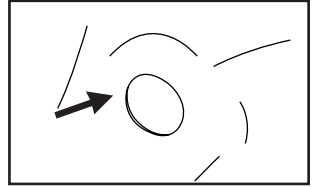
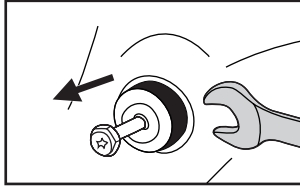
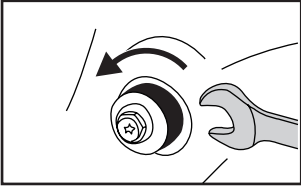
Before installing the machine, the location of installation should be:

1. Rigid, dry, and level surface.
2. Avoid direct sunlight.
3. Sufficient ventilation.
4. Room temperature is above 5 °C .
5. Keep far away from the heat sources such as coal or gas burning appliances.

## Removing transport bolts

**WARNING!:** You must remove the transport bolts from the back of the of the appliance before use.

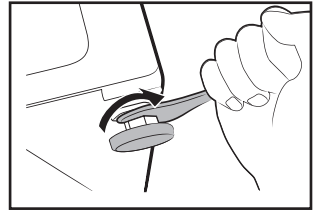
1. Loosen the 4 transport bolts with a spanner.
2. Remove the bolts including the rubber parts and keep them for future use.
3. Close the holes using the cover caps provided.



## Levelling the appliance

**WARNING!:** The lock nuts on all four feet must be screwed tightly against the housing.

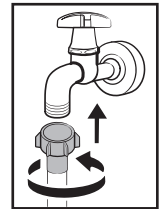
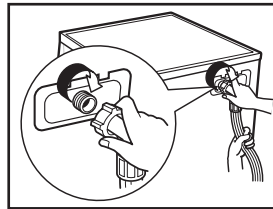
1. Loosen the lock nut.
2. Turn the foot until it reaches the floor.
3. Adjust the legs and lock the nuts with a spanner. Make sure to use a spirit level to make sure the appliance is level.



## Connect the water supply hose

**WARNING!:** Follow these instructions to help prevent leakage or water damage. Do not kink, crush/squash or modify the water inlet hose.

Connect the water supply hose to the water inlet valve and a water tap with cold water as indicated. Connect the hose manually, without tools and make sure the connections are tight.

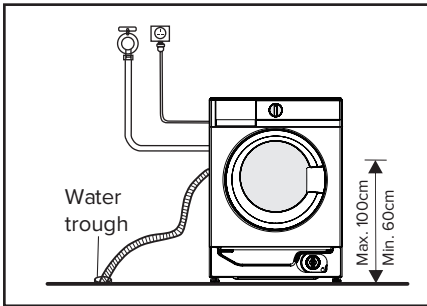


## Drain hose

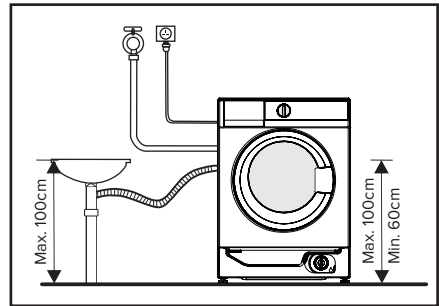
- Do not kink or stretch the drain hose.
- Position the drain hose properly, otherwise damage may result in water leakage.
- Do not remove the buckle of the drain pipe.

There are two ways to place the end of the drain hose:

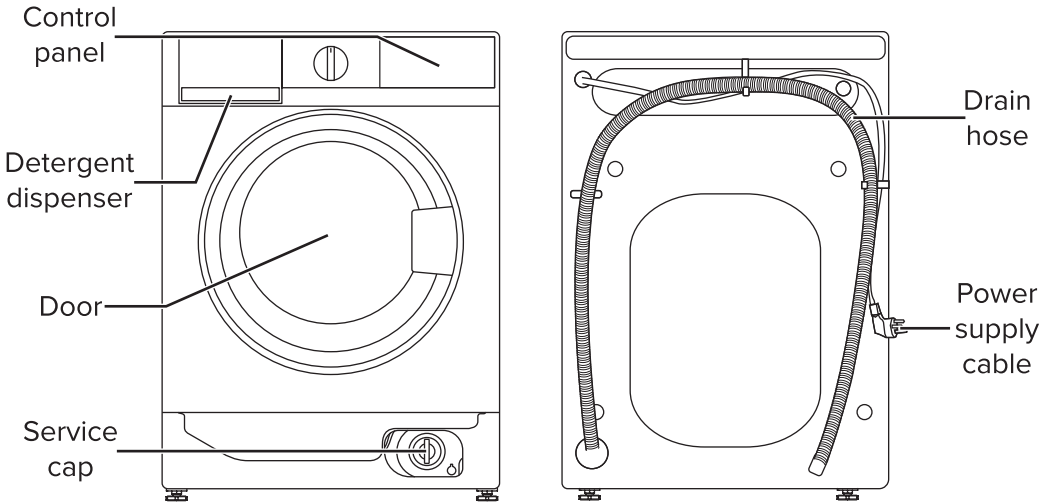
**1.** Put it into a water trough.



**2.** Connect it to the branch drain pipe of the trough.



# Diagram of the washing machine



## Using the washing machine

### Before washing

The ambient temperature of the machine should be 5°C - 40°C. If used under 0°C, the inlet valve and draining system may be damaged. If the machine is installed under freezing conditions, it should be transferred to normal ambient temperature to ensure the water supply hose and drain hose can unfreeze before use.

Please check your laundry care labels and the detergent use instructions before wash. Use non-foaming or less-foaming detergent suitable for machine properly.

1. Take all items out of pockets.
  2. Sort laundry according to colour and type.
  3. Tie long strips/belts, close zips and buttons.
  4. Put small items into a laundry bag.
- It is prohibited to wash clothes that adhere to any volatile or flammable substance such as cleaning agent, dry cleaning agent, spot remover, acetone, gasoline, kerosene, beauty oil, massage oil, animal

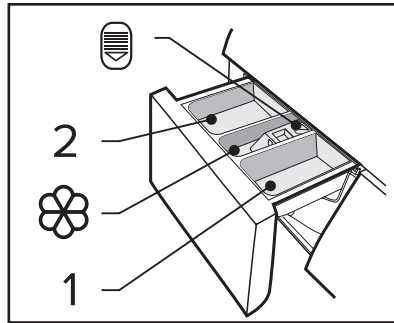
oil, machinery oil, dry cleaning oil, volatile agent, alcohol, turpentine, wax, wax remover, banana water, disinfectant tablets, resin, etc.

- Washing single clothes items may easily create big eccentricity. Therefore it is suggested to add one or two more laundry items to the wash so that spin can be done smoothly.
- Do not wash, spin waterproof seats, mats, or clothing.

### Detergent dispenser

**NOTE:** Do not put laundry beads into the detergent dispenser.

Programme	1	2	☼
20°C Care+	○	●	○
Baby care	○	●	○
Cotton	○	●	○
Drum clean			
Duvet		●	○
ECO 40-60		●	○
Jeans	○	●	○
Mix	○	●	○
Pet hair removal	○	●	○
Quick 15'		●	○
Rapid 59'		●	○
Spin only			
Synthetic	○	●	○
Wool		●	○



- 1 Pre wash
- 2 Main Wash
- ☼ Softener
- ☷ Release button to pull out the dispenser

● : Must add    ○ : Optional to add

- Detergent only needs to be added to “1” after selecting the pre-wash program.
- Do not put laundry beads into the detergent dispenser.

## Detergent recommendations

<b>Recommended washing detergent</b>	<b>Type of laundry and textile</b>	<b>Wash cycles</b>	<b>Washing temperature (°C)</b>
Heavy-duty detergent with bleaching agents and optical brighteners	White laundry made from boil-proof cotton or linen	Cotton, ECO 40-60	40-60
Colour detergent without bleaching agent and optical brighteners	Coloured laundry made from cotton or linen	Cotton	20-40
Color or mild detergent without optical brighteners	Coloured laundry made from easy care fibres or synthetic materials	Cotton, Synthetic	20-40
Mild washing detergent	Delicate textiles, silk, viscose	Synthetic	20
Special wool detergent	Wool	Wool	20-40

- Agglomerating or ropy detergent or additive can be diluted in some water before pouring it into the detergent dispenser, to avoid its inlet to get blocked and thus cause a water overflow.
- Please choose the suitable type of detergent to get a maximum of washing performance and a minimum of water and energy consumption.
- To achieve the best cleaning result a proper detergent dosing is important.
- Use a reduced amount of detergent if the drum is not filled completely.
- Always adjust the amount of detergent to the water hardness, if your tap water is soft, use less detergent.
- Dose according to how dirty your laundry is, less dirty clothes require less detergent.

- Highly concentrated (compact detergent) requires particularly accurate dosing.

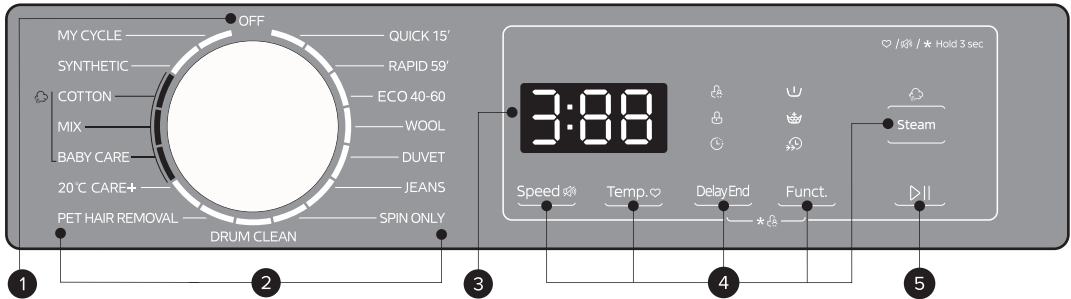
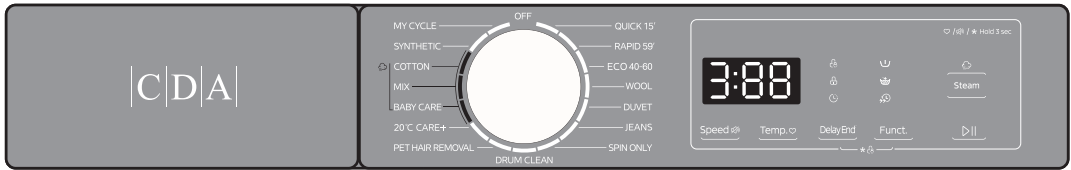
Detergent overdosing may result in:

- Heavy foam formation
- Poor washing and rinsing result

Detergent underdosing may result in:

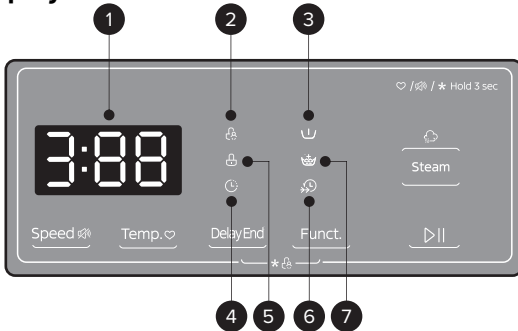
- Laundry turning grey
- Build up of limescale deposits on the drum, heating element and/ore laundry.

### Control Panel



- 1** Off
- 2** Programs
- 3** Display
- 4** Optional functions
- 5** Start/Pause

### Display



- 1** Display
- 2** Child Lock
- 3** Pre wash
- 4** Delay
- 5** Door Lock
- 6** Speed Wash
- 7** Extra Rinse

## Starting a wash cycle

After loading your washing, closing the door and adding detergent:

Select a program using the dial (2 on diagram pg. 13).

Select any desired functions (4 on diagram pg. 13) or leave for default settings for the selected program.

Press Start/Pause “▶|” to begin the program.

After the cycle/program has finished, the buzzer will beep and “End” will appear on the display.

## Programs

Program	Load (kg)	Default time (h:min)	Default temperature (°C)	Default spin speed (RPM)	Additional functions
<b>20°C Care+</b>	4.5	1:08	20	1000	🕒, 🌊, 🌀
<b>Baby care</b>	9.0	2:01	60	1000	🕒, 🌊, 🌀, 🧼, 🔄
<b>Cotton</b>	9.0	3:39	40	1400	🕒, 🌊, 🌀, 🧼, 🔄
<b>Drum clean</b>	--	1:18	90	--	🕒
<b>Duvet</b>	2.5	1:27	40	800	🕒, 🌀
<b>ECO 40-60</b>	9.0	3:48	--	--	🕒
<b>Jeans</b>	9.0	1:35	30	800	🕒, 🌊, 🌀, 🧼
<b>Mix</b>	9.0	1:20	40	1000	🕒, 🌊, 🌀, 🧼, 🔄
<b>Pet hair removal</b>	4.5	2:04	40	1200	🕒, 🌊, 🌀
<b>Quick 15'</b>	2.0	0:15	Cold	800	🕒, 🌀
<b>Rapid 59'</b>	4.5	0:59	30	1000	🕒, 🌀, 🧼
<b>Spin only</b>	9.0	0:12	--	1000	🕒
<b>Synthetic</b>	4.5	3:18	40	1200	🕒, 🌊, 🌀, 🧼
<b>Wool</b>	2.0	1:07	40	600	🕒, 🌀

- For the maximum spin speed, program time, and other details of the ECO 40-60 program, please refer to the content on the Product Fiche (page 32).
- The table shows which cycle offers which options for adjustment.

<b>Program</b>	Cotton	Mix	20°C Care+	Baby care	Quick 15'	ECO 40-60		
<b>Nominal capacity (kg)</b>	9.0	9.0	4.5	9.0	2.0	9.0	4.5	2.5
<b>Temperature setting (°c)</b>	60	40	20	60	Cold	--	--	--
<b>Program duration (h:min)</b>	3:44	1:20	1:08	2:01	0:15	3:48	2:54	2:54
<b>Energy consumption per cycle (kWh)</b>	1.603	0.813	0.201	1.423	0.030	0.895	0.495	0.230
<b>Water consumption per cycle (L)</b>	78	78	48	78	31	68	30	24
<b>Highest temperature (°c)</b>	40	40	20	60	Cold	35	29	24
<b>Residual moisture (%) / Spin speed (RPM)</b>	60 / 1400	65 / 1000	65 / 1000	65 / 1000	70 / 800	53.9 / 1351	53.9 / 1351	53.9 / 1351

The above data is for reference only, and the data may change due to different actual use conditions.

- The values given for programmes other than the ECO 40-60 programme are indicative only.
- 20°C CARE+ is able to clean lightly soiled cotton laundry, at a nominal temperature of 20 °C, which complies with the regulation (EU) 2019/2023.
- Concerning to EN 60456:2016/A11:2020 With(EU) 2019/2014, (EU) 2019/2023, (EU) 2021/340, (EU) 2021/341,

The EU energy efficiency class is: A

Energy test program: ECO 40-60. Other as the default.

Half load for 9.0kg machine:4.5kg. Quarter load for 9.0kg machine:2.5kg.

1. The highest temperature reached by the laundry in the wash cycle for at least 5 minutes.
2. Residual moisture after the wash cycle in water content percent and the spinspeed at which this was achieved.
3. The ECO 40-60 programme is able to clean normally soiled cotton laundry declared to be washable at 40°C or 60°C, together in the same cycle. This programme is used to assess the compliance with the regulation (EU) 2019/2023.

The most efficient programmes in terms of energy consumption are generally

those that perform at lower temperatures and longer duration.

Loading the household washing machine up to the capacity indicated for the

respective programmes will contribute to energy and water savings.

Noise and remaining moisture content are influenced by the spinning speed: the higher the spinning speed in the spinning phase, the higher the noise and the lower the remaining moisture content.


**NOTE:** If there is any break in the power supply while the machine is operating, a special memory stores the selected programme. The machine will continue the programme when the power supply is re-established.








<b>20°C Care+</b>	Able to clean lightly soiled cotton laundry, at a nominal temperature of 20°C.
<b>Baby care</b>	Washing the baby's clothes, it can make the baby's wear cleaner and make the rinse performance better to protect the baby skin.
<b>Cotton</b>	Hard-wearing textiles, heat-resistant textiles made of cotton or linen.
<b>Drum clean</b>	Specially set in this machine to clean the drum and tube. It applies 90 °C high temperature sterilization to make the clothes washing more green. When this programme is performed, the clothes or other washing cannot be added. The customer can use this programme regularly according to the need.
<b>Duvet</b>	This program is specially designed for washing duvet coats.

<b>ECO 40-60</b>	Able to clean normally soiled cotton laundry declared to be washable at 40°C or 60°C, together in the same cycle.
<b>Jeans</b>	Specially for jeans.
<b>Mix</b>	Mixed load consisting of textiles made of cotton and synthetics.
<b>Pet hair removal</b>	Clean the pet hair and fur from clothing deeply, restrain growth of germ.
<b>Quick 15'</b>	Extra short programme approx, suitable for lightly soiled washing as a small amounts of laundry.
<b>Rapid 59'</b>	Washing few and not very dirty clothes quickly.
<b>Spin only</b>	Spins and drains the water.
<b>Synthetic</b>	Wash synthetic articles, for example: shirts, coats, blending. While washing the knitting textiles, detergent quantity shall be reduced due to its loose string construction and easily forming bubbles.
<b>Wool</b>	Hand or machine-washable wool or richwool textiles. Especially gentle wash programme to prevent shrinkage, longer programme pauses.

**NOTE:** When the programme is finished, “End” will appear on the display, please select the knob to the Off position.

### Additional functions and indicators

<b>Speed</b> 	<b>Speed:</b> When needed, the spin speed can be adjusted by pressing the ‘speed’ button in the following steps: 0 - 400 -600 - 800 - 1000 - 1200 - 1400
<b>DelayEnd</b>	<b>Delay end:</b> 1. Select a program 2. Press the ‘delay end’ button to choose the delay time: 0-24h. Then press the start/pause button to start the delay end operation. To cancel the delay end function, press the delay end button before starting the program until the display shows ‘0 H’. If the program has already started, you can switch the appliance off and turn it back on, to select a new program.

	<p><b>Pre wash:</b> Extra washing function before the main washing cycle starts that increases the washing.</p> <p><b>NOTE:</b> Detergent needs to be added to compartment “1”.</p>
	<p><b>Extra rinse:</b> The laundry will undergo an extra rinse after selecting this function.</p>
<p>Temp.♥</p>	<p><b>Temp.:</b> When needed, the washing temperature can be adjusted by pressing the temperature button in the following steps: Cold - 20°C - 30°C - 40°C - 60°C - 90°C.</p>
	<p><b>Speed wash:</b> This function decreases the washing time.</p>
	<p><b>My cycle:</b> Memorises a frequently used program. After choosing the program and setting the option, press the Temp. for 3 seconds before the start of the wash. The default setting/program for this is COTTON.</p>
 <p>Steam</p>	<p><b>Steam:</b> Steam is applicable for daily laundry. The steam can deeply penetrate the fibers, which effectively eliminates bacteria and germs, preventing odours and protecting your health.</p>
<p>Funct.</p>	<p><b>Function:</b> Press (the funct. button to select Pre wash, Speed wash or Extra rinse.</p>
	<p><b>Child lock:</b> This locks the appliance to avoid mis-operation. Press the Delay end and Funct. buttons simultaneously for 3seconds until the buzzer beeps. The child lock indicator will then light up.</p>
	<p><b>Mute:</b> Choose a program, press the Speed button for 3 seconds to mute the buzzer. To unmute, press it for 3 seconds again. The setting will be kept until the next reset.</p>

### Child lock

When the Child lock is activated, the display will flash between “CL” and the remaining time.

Pressing any other button will cause the Child Lock indicator to flash.

When the program ends, “CL” and “End” will alternate on the display. The Child Lock deactivates all functions in control panel except the Child lock button and OFF function.

After turning off the appliance, the child lock will not be automatically released.

Only the simultaneous pressing of the two buttons can deactivate the Child lock. Please deactivate the Child lock before selecting a new program.

### **Usage counter**

Press “Speed” and “Steam” on the control panel simultaneously and for around 5 seconds. While powered on, the display will show the times of equipment usage. Press “Speed” and “Steam” on control panel simultaneously for around 5 seconds again and to resume normal operation.

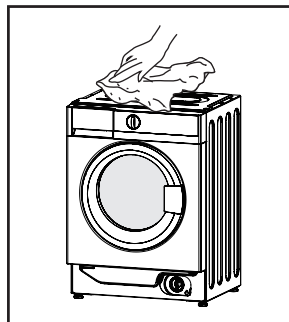
## **Cleaning and maintenance**

**WARNING!:** Always unplug the appliance and close the water tap before cleaning and maintenance

### **Cleaning the cabinet and exterior**

Proper maintenance on the appliance can extend its working life. The surface can be cleaned with diluted non-abrasive neutral detergents when necessary. If there is any water overflow, use a towel to wipe it off immediately. Never use sharp items to clean the appliance.

**WARNING!:** Never use abrasive or caustic agents, such as formic acids, diluted solvents or similar substances (e.g. alcohol or chemical products).



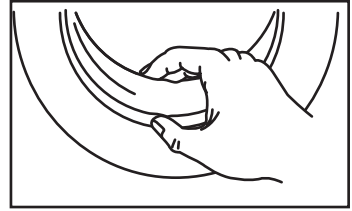
### **Cleaning the drum**

Any rust stains left inside the drum by metal articles must be removed immediately using chlorine-free detergents and follow the manufacturer’s warnings for the cleaner.

**WARNING!:** Never use steel wool or abrasive products for cleaning the drum and keep any laundry away while cleaning the drum.

## Cleaning the door seal and glass

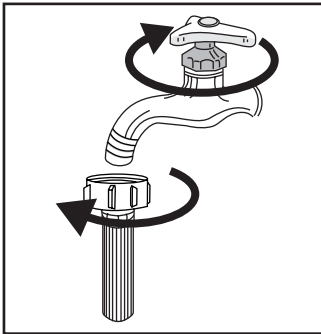
Wipe the glass and seal after each wash to remove lint and stains. If lint builds up it can cause leakages. Remove any coins, buttons and other objects from the seal after each wash. Clean the Door Seal and Glass every the machine runs 60 times (appears as C2 on control panel) to ensure the normal operation of the appliance.



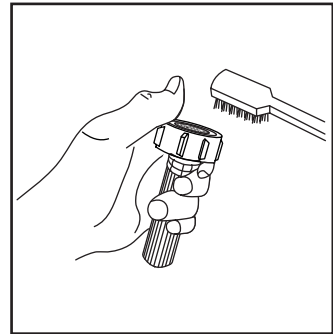
## Cleaning the inlet filter

Diminishing water flow may be a sign that the filter needs to be changed.

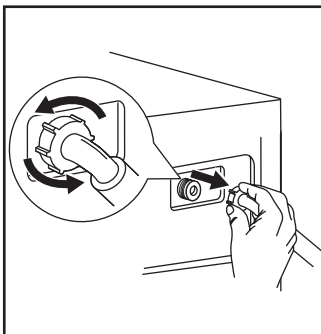
**1.** Close the tap and remove the water supply hose from it.



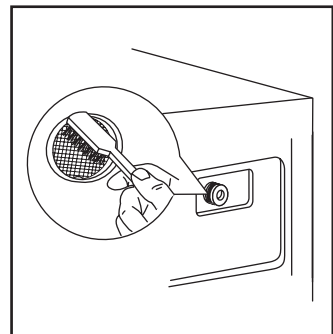
**2.** Clean the filter with a brush.



**3.** Unscrew the water supply hose from the back of the machine. Pull out the filter with long nose pliers.




**4.** Use a brush to clean the filter.



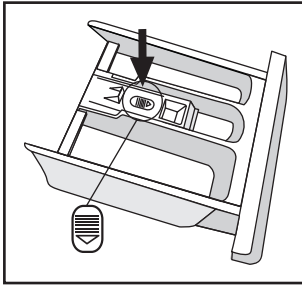
**5.** Reinstall the filter to the water inlet and reconnect the water supply hose.

**NOTE:** It is recommended that you clean the inlet filter every 60 uses/ programs (C2 appears on the control panel) to ensure the normal operation of the appliance.

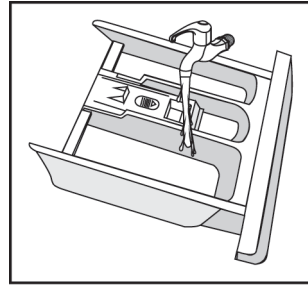
### Cleaning the detergent dispenser

- Press down the release ‘’ on the softener cover and pull the dispenser drawer out of the recess
- Lift the softener cover off the dispenser drawer and wash both items with water.
- Clean the inside of the recess with a brush.
- Restore the softener cover and push the drawer back into the recess.

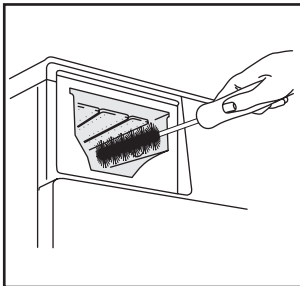
**1.** Press the release and remove the dispenser drawer.



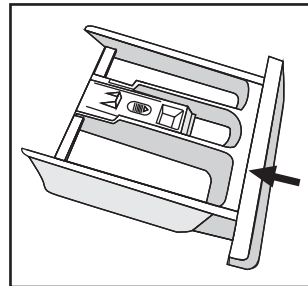
**2.** Clean the dispenser drawer and the softener cover under water.



**3.** Clean the recess with a soft brush.



**4.** Insert the dispenser drawer.



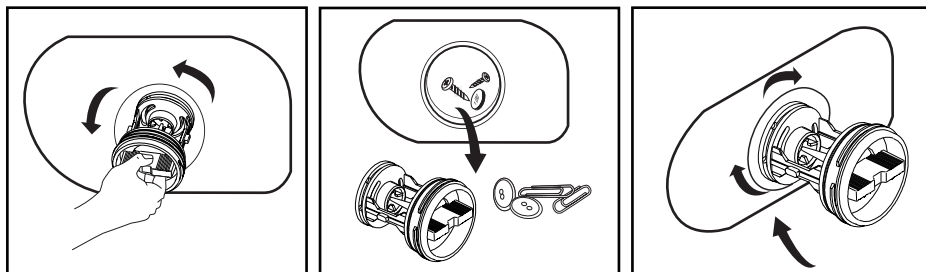
**WARNING!:** Do not use abrasive or caustic agents to clean plastic parts.

**NOTE:** It is recommended that you clean the detergent dispenser every 60 uses/programs (C2 appears on the control panel) to ensure the normal operation of the appliance.

## Cleaning the drain pump filter

**WARNING!:** Make sure that the machine has finished the washing cycle and is empty. Switch it off and unplug it before cleaning the drain pump filter. Be careful of hot water. Wait for the water to cool down as there is a risk of scalding.

1. Open the filter by turning the drain pump cap counter clockwise.
2. Remove extraneous matter.
3. Close the cap (turning it clockwise).



**NOTE:** It is recommended that you clean the filter periodically every 50 uses/programs (C1 appears on the control panel) to ensure the normal operation of the appliance.

**WARNING!:** When the appliance is in use and depending on the program selected there can be hot water in the pump. Never remove the pump cover during a wash cycle, always wait until the appliance has finished the cycle, and is empty. When replacing the cover, ensure it is securely re-tightened.

## Troubleshooting

All repairs which must be done on the machine should only be performed by CDA authorised service agents. When a repair is required for your machine or you are unable to eliminate the failure with the help of the information given below:

In the event of any other fault with your washing machine, please follow the steps below:

- Unplug the machine.
- Close the water tap.
- Contact CDA Customer Care

<b>Problem</b>	<b>Possible cause</b>	<b>Possible solution</b>
Appliance does not start	Door is not closed properly.	Check laundry/clothes are not stuck, close door properly and restart.
	The fuse is damaged.	Replace the fuse.
	The appliance is unplugged.	Insert the plug into the socket.
	There is a fault with the power supply.	Check the power supply.
	“Start/Pause” button has not been pressed.	Press the “Start/Pause” button.
The appliance does not fill with water	“Start/Pause” button has not been pressed.	Press the “Start/Pause” button.
	Water tap is not turned on.	Turn on the water tap.
	Water pressure too low.	Check water pressure.
	The inlet hose is kinked or blocked.	Check and unkink/unblock the inlet hose.
	Water supply failure.	Check the water supply.
	Programme knob not set correctly.	Set the programme knob correctly.
	Door is not closed properly.	Check laundry/clothes are not stuck and close door properly.
The appliance does not drain water	The drain hose is obstructed or bent.	Check the drain hose.
	The pump filter is obstructed.	Clean the pump filter.
Door can't be opened	Safety protection is activated	Disconnect the power and restart.

Water leakage	Connections are not tight enough.	Check and fasten the water inlet pipe. Check and clean the outlet hose.
Detergent residues in the detergent dispenser	Detergent is damp and/or clotted.	Clean and wipe the detergent dry.
Indicator or display does not work	PC board or harness have connection problems.	Switch off the power and check if the mains plug is connected properly.
The appliance stops before completing its cycle	Water or electricity failure.	Check the power and water supplies.
Excessive foam in the drum	The detergent is not a low foaming type.	Check if the detergent is suitable.
	Check if the detergent is suitable.	Reduce amount of detergent used.
The drum fails to spin	Unbalanced load.	Add more clothes or try running the spin cycle again.
Abnormal noise or vibrating	Fixing bolts are still in place.	Check if the fixing bolts have been removed.
	The appliance is located on an uneven surface or is not levelled.	Make sure the appliance is installed on a solid and level floor, and levelled.
	There is only a small load in the appliance.	This is not indicative of a fault.
	The appliance is overloaded, or badly loaded.	Do not exceed the load capacity, and ensure the clothes are loaded evenly.
	The appliance is leaning on a solid object.	Ensure the machine is installed away from other objects.

## Error Codes

Indicator	Possible cause	Possible solution
E30	Door is not closed properly	Close door properly and restart.
E10	Water injecting problem during wash cycle	Check if the water pressure is high enough. Straighten the water pipe. Clean the inlet valve filter.
E21	Overtime water draining	Check the drain hose for blockage.
E12	Water overflow	Restart the appliance
EXX	Others	Restart the appliance. If problem persists, please contact the customer service.

### Contact CDA Customer Care

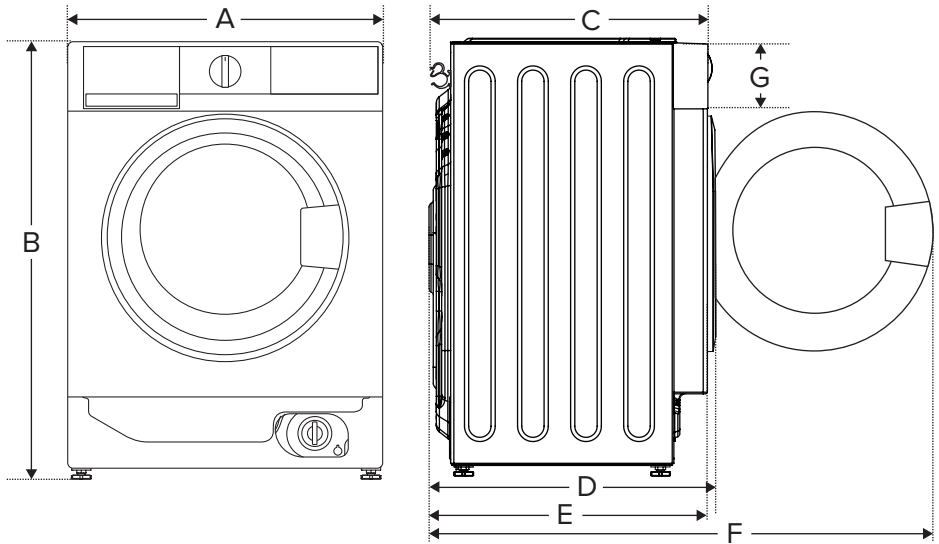
**A:** Customer Care Department, The CDA Group Ltd, Harby Road, Langar, Nottinghamshire, NG13 9HY

**T:** 01949 862 012

**F:** 01949 862 003

**E:** [customer.care@cda.co.uk](mailto:customer.care@cda.co.uk) **W:** [www.cda.co.uk](http://www.cda.co.uk)

# Technical specifications



Model	WM914
Power supply	220-240V 50Hz
Max. current	10A
Standard water pressure	0.05MPa-1MPa
Weight	60kg
Rated Power	1950W
A	595mm
B	825mm
C	560mm
D	565mm
E	546mm
F	1010mm
G	135mm

Parameter	Value	
Rated capacity* (kg)	9.0	
Dimensions (mm)	Height	830
	Width	600
	Depth	560
Energy efficiency index* (EEI <sub>w</sub> )	51.9	
Energy efficiency class*	A	
Washing efficiency index*	1.031	
Rinsing effectiveness* (g/kg)	5.0	
Energy consumption per cycle* (kWh)	0.494	
Water consumption per cycle* (L)	50	
Maximum temperature inside the treated textile* (°C)	Rated capacity	38
	Half	30
	Quarter	24
Weighted remaining moisture content* (%)	53.9	
Spin speed* (rpm)	Rated capacity	1351
	Half	1351
	Quarter	1351
Spin-drying efficiency class*	B	
Program duration* (h:min)	Rated capacity	3:48
	Half	2:54
	Quarter	2:54
Type	Built-in	
Airborne accoustical noise emissions in the spinning phase* (dB(A) re 1 pW)	72	
Airborne accoustical noise emission class (spinning phase)*	A	
Off-mode (w)	0.5	
Delay start (W)	4.00	

\* for th ECO 40-60 program

**NOTE:**
















1. The actual energy consumption will depend on how the appliance is used.
2. The actual water consumption will depend on how the appliance is used and on the hardness of the water.

Product Data Sheet concerning (EU) 2019/2014

The product data sheet for your appliance can be found online.

Go to <https://eprel.ec.europa.eu> and enter the model identifier for your appliance to download the data sheet. The model identifier for your appliance can be found in the technical specifications section.

## International washing symbols

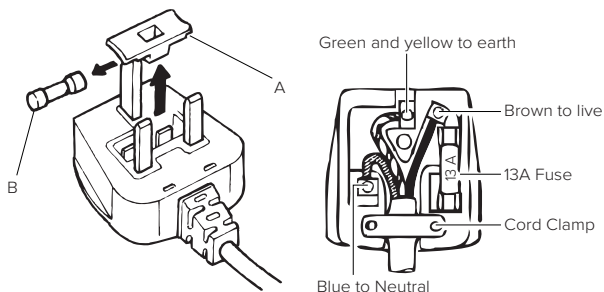
			
Max. washing Temperature	Do not wash in a washing machine	Lukewarm iron	Medium iron
			
Hot iron	Do not iron	Do not tumble dry	Hang to dry
			
Drip dry	Dry flat	Do not bleach	Handy to bleach
			
All of these are dry cleaning symbols. The letters are to instruct the cleaner what type of solvent to be used. Garments bearing these symbols should not be washed in your machine unless the label says otherwise.			

# Electrical connection information

**Warning! This appliance must be earthed.**

The mains lead of this appliance has been fitted with a BS 1363A 13 Amp fused plug. To change a fuse in this type of plug, follow the steps below:

1. Remove the fuse cover and fuse.
2. Fit a replacement 13A fuse, ASTA approved to BS 1362 type, into the fuse cover.
3. Replace fuse cover.



**Important:** Do not use the appliance without the fuse cover in position.

## How to connect an alternative plug

If the fitted plug is not suitable for your socket outlet, then it should be cut off and disposed of safely to prevent the risk of electric shock. A suitable alternative plug of at least 13 Amp rating to BS 1363 should be used.

As the colours of the wires in the mains lead of this appliance may not correspond with the coloured markings identifying the terminals in your plug, proceed as follows:

- The wire which is coloured **GREEN and YELLOW** must be connected to the terminal which is marked with the letter **(E)** or by the **Earth** symbol or coloured **GREEN and YELLOW**.
- The wire which is coloured **BLUE** must be connected to the terminal which is marked with the letter **(N)**, or coloured **BLACK**.
- The wire which is coloured **BROWN** must be connected to the terminal which is marked with the letter **(L)** or coloured **RED**.

If in doubt regarding the electrical connection of this appliance, consult a qualified electrician. Do not shorten the supply cable, the appliance may require removing for servicing.

N.B. Ensure that the plug socket is situated in an easily accessible place.

The plug must be used with a specially earthed socket of 13 amperes.

If there is no such socket in your house, please have one installed by an authorised electrician.

# Notes





**For full information and Terms & Conditions, please visit:**

<https://www.cda.co.uk/lifetime-warranty/>

**For service or queries relating to your product please contact:**

The Customer Care Department on **01949 862 012** or email [customer.care@cda.co.uk](mailto:customer.care@cda.co.uk)