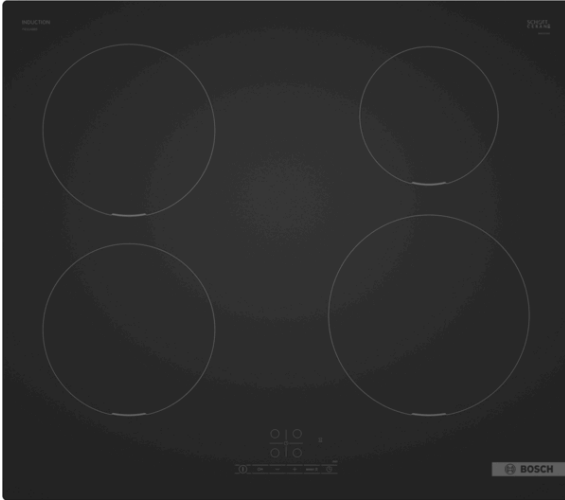


Series 4, Induction hob, 60 cm, Matt black, surface mount without frame PIE61ABB5E



Optional accessories

- HEZ32WA00 : Wireless food thermometer
- HEZ9SE030 : Set of 2 pots and 1 pan
- HEZ9SE040 : 4 pieces Set

The induction hob: cook fast, clean and safely while using very little energy.

- **Matt Design:** 5x fewer visible scratches thanks to carbon black matt finish.
- **Touch Select:** selection of the desired cooking zone and easy setting of the desired power level.
- **Frameless Design:** the hob surface is slightly elevated, to set your cooking space apart from the worktop.
- **Power Boost:** up to 35% faster heating compared to highest power level.
- **Quick Start:** start straight away and select the desired cooking level.

Technical Data

Product name/family : Cooking zone ceramic
Built-in / Free-standing : Built-in
Energy input : Electric
Total number of positions that can be used at the same time : 4
Required niche size for installation (HxWxD) : 51 x 560-560 x 490-500 mm
Width of the appliance : 592 mm
Dimensions : 51x592x522 mm
Dimensions of the packed product (HxWxD) : 126x753x603 mm
Net weight : 12.2 kg
Gross weight : 13.3 kg
Residual heat indicator : yes
Location of control panel : Front
Basic surface material : Ceramic
Color of surface : Matt black
Length electrical supply cord : 110 cm
EAN code : 4242005585755
Voltage : 220-240 V
Frequency : 50; 60 Hz



4 242005 585755

Series 4, Induction hob, 60 cm, Matt black, surface mount without frame PIE61ABB5E

The induction hob: cook fast, clean and safely while using very little energy.

- 60 cm: space for 4 pots

Flexibility of cooking zones

- Cooking zone front left: 180 mm, 1.8 KW (max. power 3.1 KW)
- Cooking zone rear left: 180 mm, 1.8 KW (max. power 3.1 KW)
- Cooking zone rear right: 145 mm , 1.4 KW (max power 2.2 KW)
- Cooking zone front right: 210 mm, 2.2 KW (max. power 3.7 KW)

Usage convenience

- Touch Select: control the power with imprinted +/- touch buttons.
- 17 power levels: precisely adapt the heat with 17 power levels (9 main levels and 8 intermediate levels).
- Switch-off timer (on appliance): switches off the cooking zone at the end of the time set (e.g. for boiled eggs).
- Count-down timer: an alarm sounds at the end of the time set (e.g. for pasta).

Time saving & efficiency

- Power Boost for all zones : boil water more quickly thanks to 50% more energy than at the highest standard level.
- QuickStart Function: when switching on, the hob automatically selects the cooking zone with cookware (placed in off-mode).
- Restart Function: in case of unintentional switch-off, restore all previous settings by switching on the hob again within 4 seconds.
- Quick Stop: quickly switch off a cooking zone with one longer touch.

Design

- Matt Design: elegant, matt glass ceramic design which is less susceptible to visible scratches and fingerprints.
- Frameless: classy, slightly raised installation without metal trim

Safety

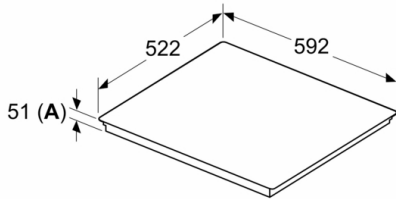
- Residual heat indicator (2 stage): indicates which cooking zones are still hot or warm.
- Childproof lock: prevent unintended activation of the hob.
- Main Switch: switch off all cooking zones at the touch of a button.
- Safety switch-off: for safety reasons, heating stops after a preset time without interaction.

Installation

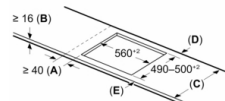
- Dimensions of the product (HxWxD mm): 51 x 592 x 522
- Required niche size for installation (HxWxD mm) : 51 x 560 x (490 - 500)
- Min. worktop thickness: 16 mm
- Connected load: 7400 W
- PowerManagement Function: limit the maximum power if needed (depends on fuse protection of electric installation).
- Power cord: 1.1 m without plug, loose insert in packaging (electrical connection by electrician necessary)

**Series 4, Induction hob, 60 cm, Matt black,
surface mount without frame
PIE61ABB5E**

Measurements in mm



Measurements in mm



A: Min. distance from the hob cut-out to the wall

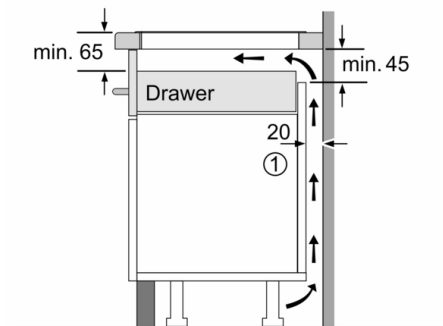
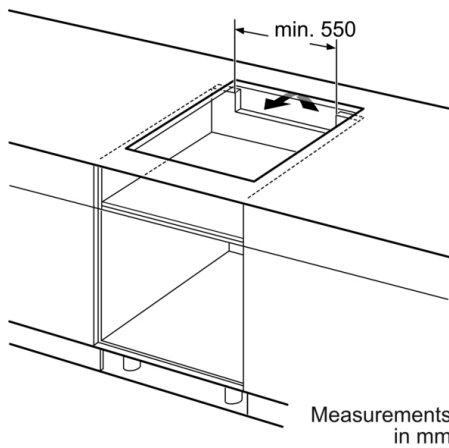
B: The clearance between the surface of the worktop and the top of the front of the oven must be 30 mm

See space requirements for the oven

C	D	E
585-600	50	≥ 35
> 600	≥ 50	≥ 50

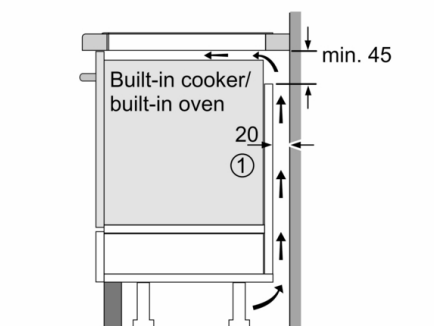
The worktop into which the hob is installed must withstand loads of approx. 60 kg; suitable substructures must be used if required

A: Recessed depth



① Ventilation gap must be present.

Measurements in mm



① Ventilation gap must be present

All measurements in mm