

N 50, FULLY-INTEGRATED DISHWASHER, 60 CM,  
VARIABLE HINGE  
S175HTX14G



The practical dishwasher indicates when it's running, varioHinge provides solution for special built-in situations.

- ✓ Vario Hinge – Install your dishwasher almost anywhere.
- ✓ Flex I Baskets – Foldable elements in the top and bottom baskets for practical loading
- ✓ Info Light – A light projected onto the floor shows you that the dishwasher is in operation.
- ✓ Chef 70°C – The pro programme that vanishes stubborn residues.
- ✓ Home Connect – Add your dishwasher to your home network and enjoy the infinite possibilities of connected services

### Features

#### Technical Data

Energy Efficiency Class<sup>1</sup>: ..... C  
 Energy Consumption for 100 cycles Eco Programme<sup>2</sup>: 74 kWh/100 cycles  
 Maximum number of place settings: ..... 13  
 The water consumption of the eco programme in liters per cycle: 9.0 l  
 Programme duration<sup>3</sup>: ..... 4:55 h  
 Airborne acoustical noise emissions : ..... 46 dB(A) re 1pW  
 Airborne acoustical noise emission class: ..... C  
 Built-in / Free-standing: ..... Built-in  
 Height of removable worktop: ..... 0 mm  
 Required niche size for installation (HxWxD): 815-875 x 600 x 550 mm  
 Depth with open door 90 degree: ..... 1150 mm  
 Adjustable feet: ..... Yes - all from front  
 Maximum adjustability feet: ..... 60 mm  
 Adjustable plinth: ..... Both horizontal and vertical  
 Net weight: ..... 33.5 kg  
 Gross weight: ..... 35.3 kg  
 Connection Rating: ..... 2400 W  
 Fuse protection: ..... 10 A  
 Voltage: ..... 220-240 V  
 Frequency: ..... 50; 60 Hz  
 Length electrical supply cord: ..... 175 cm  
 Plug type: ..... GB plug  
 Length inlet hose: ..... 165 cm  
 Length outlet hose: ..... 190 cm  
 EAN code: ..... 4242004291916  
 Installation typology: ..... Full-integrated



### Optional accessories

|          |  |
|----------|--|
| Z7710X0  | inlet and outlet hose extension          |
| Z780BI02 | decorative strips stainless steel 81,5cm |
| Z788BI00 | Connection rail for divided furniture    |

<sup>1</sup> Scale of Energy Efficiency Classes from A to G  
<sup>2</sup> Energy consumption in kWh per 100 cycles (in programme Eco 50 °C)  
<sup>3</sup> Duration of programme Eco 50 °C

N 50, FULLY-INTEGRATED DISHWASHER, 60 CM,  
VARIABLE HINGE  
S175HTX14G

## Features

### Performance

- Energy Efficiency Class<sup>1</sup>: C
- Energy<sup>2</sup> / Water<sup>3</sup>: 74 kWh / 9 litres
- Capacity: 13 place settings
- Programme duration<sup>4</sup>: 4:55 (h:min)
- Noise level: 46 dB(A) re 1 pW
- Noise Efficiency Class: C

<sup>1</sup> Scale of Energy Efficiency Classes from A to G

<sup>2</sup> Energy consumption in kWh per 100 cycles (in programme Eco 50 °C)

<sup>3</sup> Water consumption in litres per cycle (in programme Eco 50 °C)

<sup>4</sup> Duration of programme Eco 50 °C

\* Please find warranty terms under <https://www.siemens-home.bsh-group.com/uk/customer-service/warranty/additional-warranties>

### Programmes / functions

- 6 programmes: Eco 50 °C, Auto 45-65 °C, Chef 70 °C, Classic 60 °C, Glass 40 °C, Favourite
- Default favourite programme: Pre-Rinse
- 4 special options: Remote Start, Extra Dry, Power Zone, Extra Speed
- Easy Clean Programme
- Add-On functions via Home Connect app: Extra Hygiene, Silence on Demand

### Flexible design elements

- Heat exchanger - Hygienic and efficient drying
- AquaSensor®
- DosageAssist detergent dispenser
- Efficient SilentDrive BLDC motor
- Self-cleaning filter system with 3 piece corrugated filter
- Stainless steel/Polinox interior

### Innovations and technology

- Flex I baskets
- Height adjustable top basket
- Low friction wheels on bottom basket
- Rack Stopper to prevent derailing of bottom basket
- 2 foldable plate racks in bottom basket
- Knife rack in top basket
- Cutlery basket in lower rack
- Upper rack cup shelf

### Design features

- Home Connect - Wi Fi enabled, for dishwasher control
- Push button top controls
- English GB
- InfoLight (Red) - Light projection on the floor
- Acoustic end of cycle indicator, remaining programme time indicator on top edge, water fault indicator
- Acoustic end of cycle indicator
- Time delay (3, 6 or 24 hours)

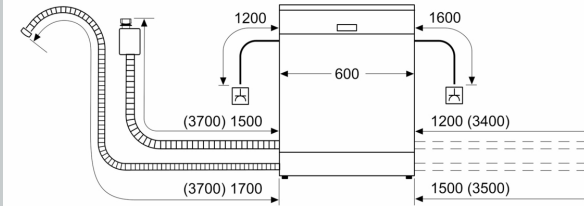
### New for 2021

- Aqua Stop: Neff's warranty in case of water damage – throughout the lifetime of the appliance.\*
- VarioHinge 50mm
- Neff Sparkle - glass care system
- incl. Steam protection for worktop
- Dimensions (HxWxD): 81.5 x 59.8 x 55cm

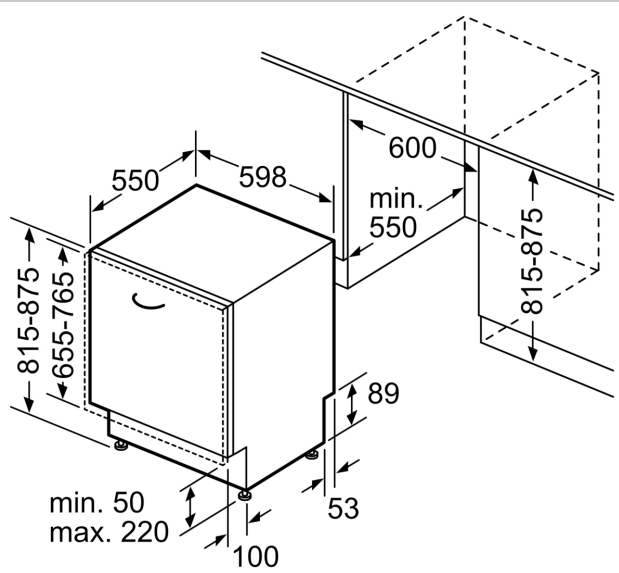
N 50, FULLY-INTEGRATED DISHWASHER, 60 CM,  
VARIABLE HINGE  
S175HTX14G

Dimensioned drawings

measurements in mm



⏏ socket  
( ) values with extension kit



measurements in mm