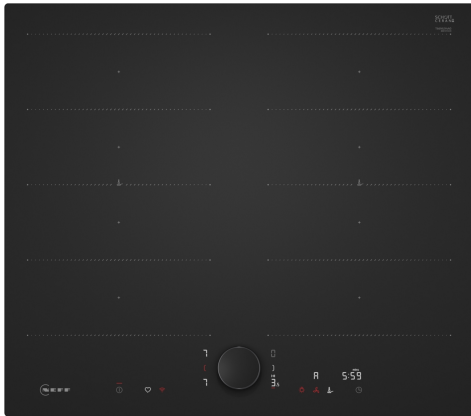


N 90, FLEX INDUCTION HOB, 60 CM, MATT BLACK,
SURFACE MOUNT WITHOUT FRAME
T66NUX4A0



Optional accessories

Z1365WX0 Wireless food thermometer, Z9401FF0 Flex Pan, large, Z9401TY0 Teppan Yaki, Z9403FF0 Flex Pan set, 3 pcs., Z9404FF0 Flex Pan set, 4 pcs., Z9404SE0 4 pieces Set, Z9406SE0 6 pieces Set, Z9410ES0 Espresso maker 4 cups, Z9410X1 Stainless Steel roaster with glass lid, Z9416X2 Griddle Plate, Z9424CF0 Fry pan, coated 24cm Ø, Z9428CF0 Fry pan, coated 28cm Ø, Z9428FE0 Iron pan Ø 18 / 28 cm, Z943SE0 Set of 2 pots and 1 pan, Z9801TWS0 Twist Pad, Metallic Silver

Standalone Flex Induction hob with Twist Pad® control.

- ✓ Matt Black Design: Easy to clean, less visible fingerprints and scratches - thanks to the matt hob finish.
- ✓ Twist Pad® - Our removable, magnetic control dial gives you precise and convenient control.
- ✓ Flex Induction - Your hob detects and heats your individual cookware.
- ✓ Intuitive Flex Zones: Your hob detects size, shape and position of your individual cookware.
- ✓ Extended Frying Sensor: Monitor the desired temperature and prevent scorching.

Features

Technical Data

Appliance type:	Cooking zone ceramic
Design:	Built-in
Heating type:	Electric hob
Total number of positions that can be used at the same time:	4	
Required niche size for installation (HxWxD): 51 x 560-560 x 490-500 mm	
Width of the appliance:	592 mm
Dimensions:	51x592x522 mm
Dimensions of the packed product (HxWxD):	126x753x608 mm
Net weight:	13.5 kg
Gross weight:	14.7 kg
Residual heat indicator:	yes
Location of control panel:	Front
Basic surface material:	Glass ceramic
Color of surface:	Matt black
Length electrical supply cord:	110 cm
Sealed Burners:	No
Power Boost:	All cooking zones
Power of 2nd heating element (kW):	3300.0 W
Power of heating element (kW in boost):	[3.7] kW
Power of 6th heating element (kW in boost):	3.7 kW
Connection Rating:	7400 W
Voltage:	220-240 V
Frequency:	50-60 Hz
Heating type:	Electric hob
Plug type:	No plug (electrical connection by electrician)
Appliance Dimensions (h x w x d) (in):	x x
Dimensions of the packed product:	4.96 x 23.93 x 29.64
Net weight:	30.000 lbs
Gross weight:	32.000 lbs
Total number of positions that can be used at the same time:	4	
Length electrical supply cord:	110 cm
Required niche size for installation (HxWxD):	51 x 560-560 x 490-500 mm
Dimensions:	51x592x522 mm
Dimensions of the packed product (HxWxD):	126x753x608 mm
Net weight:	13.5 kg
Gross weight:	14.7 kg



N 90, FLEX INDUCTION HOB, 60 CM, MATT BLACK,
SURFACE MOUNT WITHOUT FRAME
T66NUX4A0

Features

- 60 cm: space for 4 pots

Flexibility of cooking zones

- 2 Flex Zones: use cookware of any shape or size anywhere within the 40cm long zone.
- Cooking zone front left: 190 mm, 230 mm, 2.2 KW (max. power 3.7 KW)
- Cooking zone rear left: 190 mm, 230 mm, 2.2 KW (max. power 3.7 KW)
- Cooking zone rear right: 190 mm, 230 mm, 2.2 KW (max power 3.7 KW)
- Cooking zone front right: 190 mm, 230 mm, 2.2 KW (max. power 3.7 KW)

Usage convenience

- Twist Pad (Anthracite Grey): directly control the power with the removable magnetic knob.
- Two coloured display (white/red): easily see which function is activated.
- Favourite button: directly access favourite functions with a configurable button (available with connected Home Connect account).
- 17 power levels: precisely adapt the heat with 17 power levels (9 main levels and 8 intermediate levels).
- Keep warm, selectable via Favourite button/Home Connect App (for appliances connected to Home Connect account): keep dishes warm at preset low power level.
- Switch-off timer (on appliance): switches off the cooking zone at the end of the time set (e.g. for boiled eggs).
- Count-down-timer (can be chosen instead of switch-off timer): an alarm sounds at the end of the time set (e.g. for pasta).
- Sound volume adaptable to personal preference and needs.

Time saving & efficiency

- Power Boost for all zones: boil water more quickly thanks to 50% more energy than at the highest standard level.
- Pan boost, selectable via Favourite button/Home Connect App (for appliances connected to Home Connect account): heat up pans more quickly than at the highest standard level while protecting the pan coating.
- Automatic join split: when placing large cookware on the Flex zone, the hob automatically connects two cooking zones into a large continuous one.
- Power Transfer: when moving a pot to a different cooking zone (Flex zone), transfer all previous settings to the new zone at the touch of a button.
- Automatic zone selection: when switched on, the hob automatically selects the Flex cooking zone on which a new cookware is placed.
- When moving a pot on the Flex zone, the settings adjust instantly and the cooking zone adapts to the size of the cookware
- Quick Start Function: when switching on, the hob automatically selects the cooking zone with cookware (placed in off-mode).
- Re Start Function: in case of unintentional switch-off, restore all previous settings by switching on the hob again within 4 seconds.

Cooking assistance

- Extended Frying Sensor: prevents scorching with the automatic temperature regulation of the integrated sensor.
- only via HC app: easily find the right temperature setting for a certain dish via the Home Connect app.

Connectivity

- Home Connect (only in countries where Home Connect service is available): check if the hob is switched off even when not at home, and find recipes or additional functions in the Home Connect app.
- Hob-based hood control (with matching hood): automatically activates the hood when cooking, thanks to the WiFi connection of hob and Home Connect hood (connected to Home Connect account).
- Smart Hood Automatic: hood automatically adapts fan speed thanks to hob continuously providing cooking data (with all current Inclined hoods with Home Connect and connected Home Connect account).
- Smart home trigger, via Favourite button (available with connected Home Connect account): open up the smart universe from your cooktop (partner service required).
- Updateable appliance (available with connected Home Connect account): keep appliance always up to date with latest status of software.

Design

- Matt Black Design: elegant, matt glass ceramic design which is less susceptible to visible scratches and fingerprints.
- Frameless: classy, slightly raised installation without metal trim

Safety

- Residual heat indicator (2 stage): indicates which cooking zones are still hot or warm.
- Childproof lock: prevent unintended activation of the hob.
- Pause function: pause the heating process, e.g to answer the door.
- Main Switch: switch off all cooking zones at the touch of a button.
- Safety switch-off: for safety reasons, heating stops after a preset time without interaction.

Installation

- Dimensions of the product (HxWxD mm): 51 x 592 x 522
- Required niche size for installation (HxWxD mm) : 51 x 560 x (490 - 500)
- Min. worktop thickness: 16 mm
- Connected load: 7400 W
- Powermanagement function: limit the maximum power if needed (depends on fuse protection of electric installation).
- Power cord: 1.1 m without plug, loose insert in packaging (electrical connection by electrician necessary)

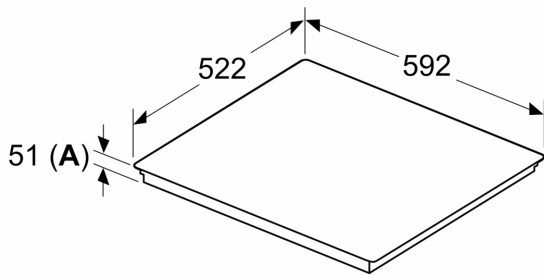
Accessories

- twist pad included

N 90, FLEX INDUCTION HOB, 60 CM, MATT BLACK,
SURFACE MOUNT WITHOUT FRAME
T66NUX4A0

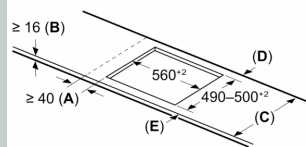
Dimensioned drawings

Measurements in mm



A: Recessed depth

Measurements in mm



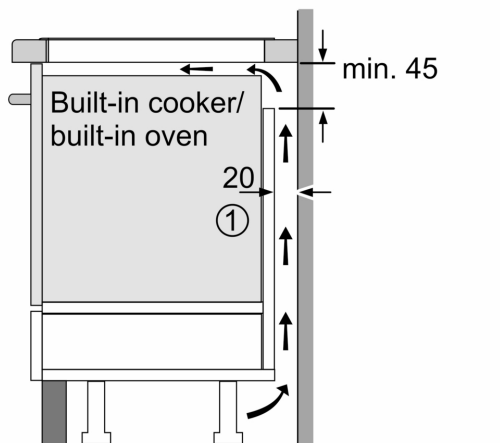
A: Min. distance from the hob cut-out to the wall

B: The clearance between the surface of the worktop and the top of the front of the oven must be 30 mm

See space requirements for the oven

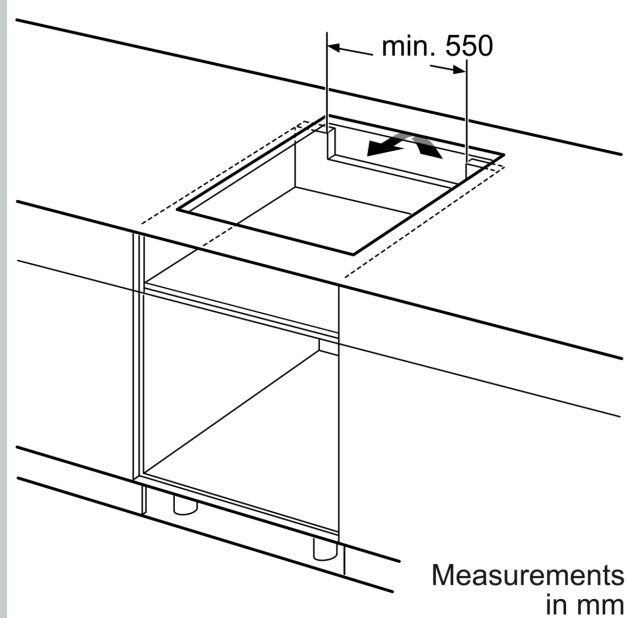
The worktop into which the hob is installed must withstand loads of approx. 60 kg; suitable substructures must be used if required

C	D	E
585-600	50	≥ 35
> 600	≥ 50	≥ 50



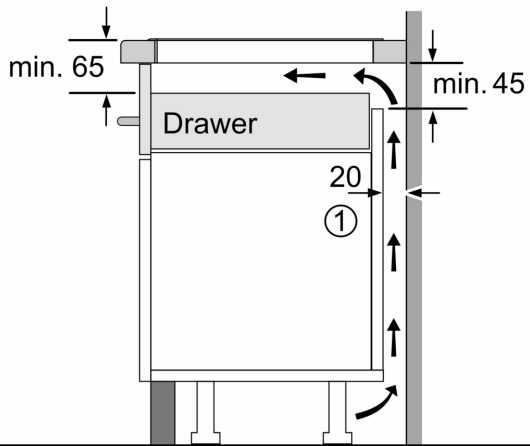
① Ventilation gap must be present

All measurements in mm



Measurements in mm

Dimensioned drawings



①
Ventilation gap must
be present.

Measurements in mm