

IKO Shed Felt – Application/Installation Instructions

IKO Shed Felt is a traditional bitumen-coated roofing felt with a protective and decorative fine mineral finish.

It is especially suited for application to the roofs of garden sheds, kennels, hutches, and other non-inhabited buildings which have a roof pitch of 20° or more.

Apex and pent roof shed up to 7' x 5': 1 roll

Pent roof shed: 8' x 6' = 1 roll

Apex roof shed: 8' x 6' = 2 rolls

Materials required:

- 13mm galvanised, large head felt nails.
- IKOpro Roofing Felt Adhesive for laps and ridge strips.

Tools required:

- Hammer.
- Tape measure.
- Stanley knife, straight edge.
- Brush for adhesive application.

Felt preparation:

Unroll the felt onto a clean, flat surface at least 30 minutes before you need to use it, as this makes it easier to apply. Do not use lawn surfaces for this purpose, as temporary yellowing of the grass may occur.

Temperature awareness:

IKO Shed Felt is easier to work with at temperatures over 10°C. Avoid installing in wet or very cold weather.

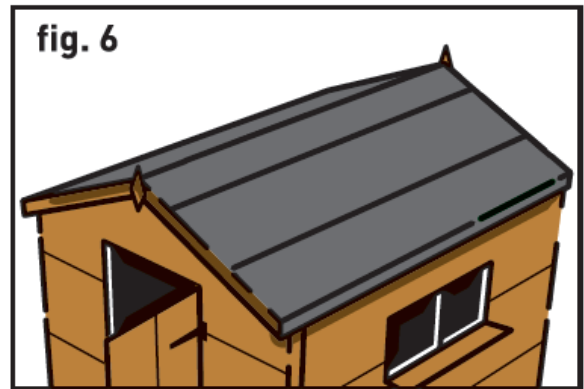
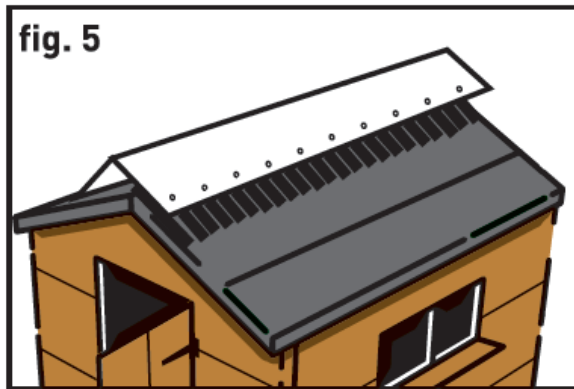
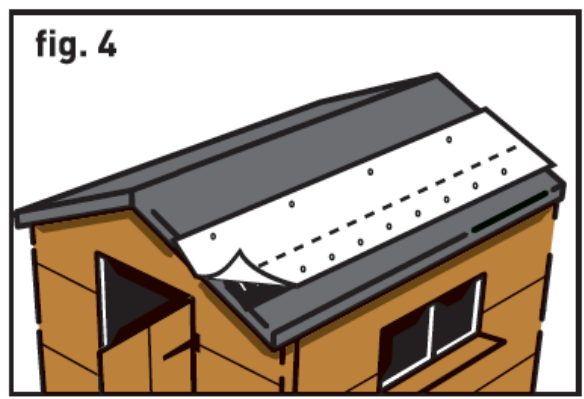
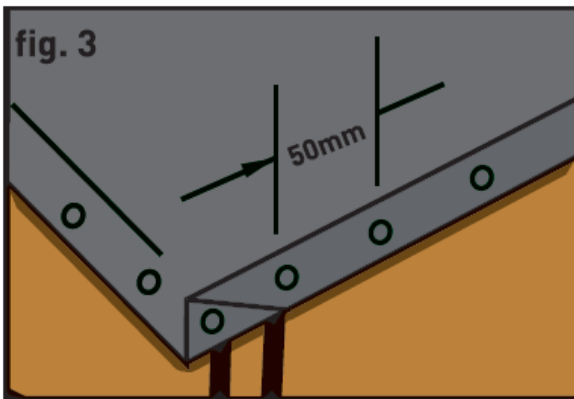
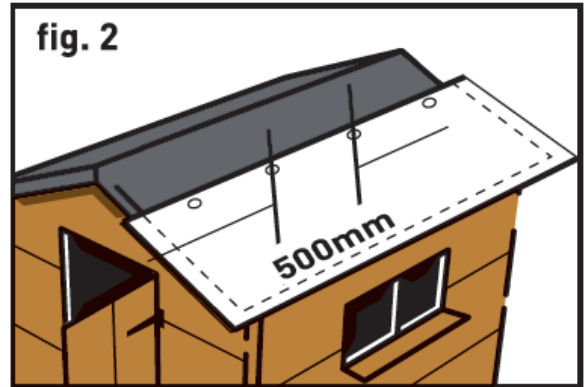
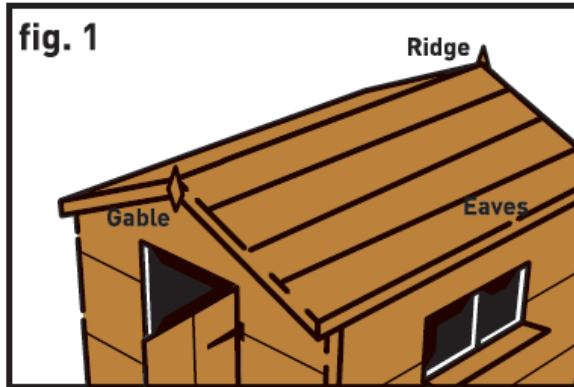
Appley Lane North
Appley Bridge
Wigan
WN6 9AB

Prospect Quarry
Grangemill
Matlock
DE4 4BW

Coney Green Road
Clay Cross
Chesterfield
S45 9HZ

t: 01257 255771
e: getintouch.uk@iko.com





Appley Lane North
Appley Bridge
Wigan
WN6 9AB

Prospect Quarry
Grangemill
Matlock
DE4 4BW

Coney Green Road
Clay Cross
Chesterfield
S45 9HZ

t: 01257 255771
e: getintouch.uk@iko.com



Application:

Fig. 1) Remove old roofing felt and check the surface of the roof. Ensure that any uneven boards are hammered down and secured or overlaid with suitable sheeting, such as ply. Protruding nails must be removed or hammered home.

Fig. 2) Cut each strip of felt so that it overhangs the edges of the roof by 50mm. Place the first strip of felt at the lowest part of the roof so that it overhangs the eaves by 50mm. Fix in position by nailing the top edge of the felt with galvanised clout nails at 500mm centres.

Fig. 3) Slowly and carefully fold overhangs over the edges of the roof and nail at 50mm intervals. Fold and nail corners to make a neat appearance.

Fig. 4) Place each subsequent sheet so that it overlaps the previous sheet by 75mm and fix as before. Carefully apply IKOpro Roofing Felt Adhesive to the area between the overlapping sheets and finish the joint by nailing at 50mm intervals.

Fig. 5) To finish the roof ridge, cut a capping strip 300mm wide. Fix to the ridge with IKOpro Roofing Felt Adhesive and dress down the roof 150mm each side. Nail the lower edge at 50mm intervals.

Fig. 6) For a professional finish, fix timber strips to the edges of the roof.

This product is expected to last up to 5 years when installed according to the manufacturer's instructions. Adverse weather conditions may reduce longevity.

Appley Lane North
Appley Bridge
Wigan
WN6 9AB

Prospect Quarry
Grangemill
Matlock
DE4 4BW

Coney Green Road
Clay Cross
Chesterfield
S45 9HZ

t: 01257 255771
e: getintouch.uk@iko.com

