

KNAUF



Lighter. Easier. Faster.

AQUAPANEL® Cement Board Indoor –
The tile backer for walls in wet and humid areas



**Be certain,
choose AQUAPANEL®**

AQUAPANEL®

AQUAPANEL® Cement Board Indoor

Specific design - guaranteed durability



- Weight reduction from 15 kg to 11 kg per square metre
- Improved score and snap technique, with easier cutting
- Bending radius of 1 m at full board size
- Faster installation and on-site handling
- Replacement for plasterboard in wet areas
- Will not deteriorate in water
- Strong and impact resistant
- No pre-drilling required
- Resistant to mould and mildew
- Supports tiles up to 50 kg/m²*
- Tested acoustic and fire performance

* In case of increased loads please consult our website and consider the technical leaflet - Ready keyed for tiling with AQUAPANEL® Cement Board Indoor

As part of a complete system, AQUAPANEL® Cement Board Indoor is used best with AQUAPANEL® Maxi Screw SN 25 for metal studs or AQUAPANEL® Maxi Screw SN 39 for timber and AQUAPANEL® Tape (10 cm).



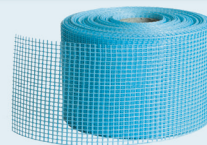
AQUAPANEL® Maxi Screw SN 39
39 mm (for timber studs)



AQUAPANEL® Maxi Screw SN 25
25 mm (for metal studs up to 7 mm thickness)*



AQUAPANEL® Cement Board Indoor
900 x 1200 x 12,5 mm



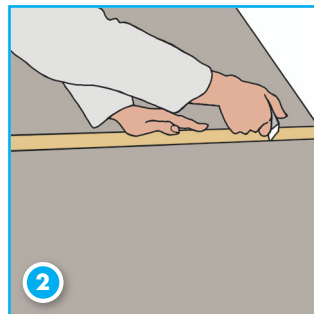
AQUAPANEL® Tape (10 cm)
100 mm x 20 m

* can be also used for AQUAPANEL® Cement Board Floor Tile Underlay

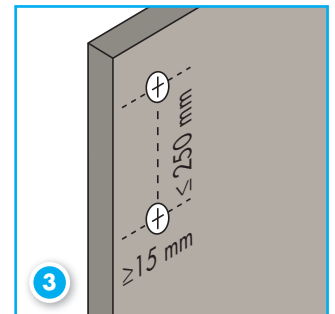
6 easy steps to installation



For the best results, we recommend the use of lightweight metal Knauf Acoustic ‚C‘ Studs. Using metal studs ensure accuracy, and they will not move or twist due to shrinkage or water ingress. Please set studs at maximum 400 mm for horizontal installation or 450 mm for vertical installation of the boards. Timber studs can be used however.

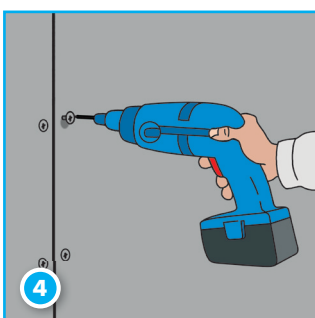


Boards can easily be scored and snapped. Score one side with a sharp knife, cutting through the mesh. Snap the board along the score, then cut through the mesh on the other side. Smooth any rough areas caused by scoring with a rasp.

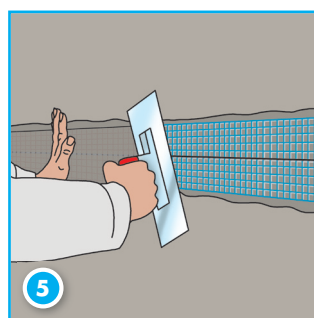


Screw spacing ≤ 250 mm. Spacing from edge ≥ 15 mm. Screws should not be overtightened.

Ensure all joints between boards are staggered and leave a 3 - 5 mm gap between boards.



Screw the board to the framework using AQUAPANEL® Maxi Screws SN 25 for metal studs or AQUAPANEL® Maxi Screws SN 39 for timber. The screws should be spaced 250 mm or less in all directions, keeping a distance of at least 15 mm from the edge of the board.



All joints should be filled with flexible tile adhesive, and AQUAPANEL® Tape (10 cm) embedded into the wet adhesive.



Always use a quality polymer modified based flexible tile adhesive, following the manufacturer's instructions. Tile on the smooth side of the board.