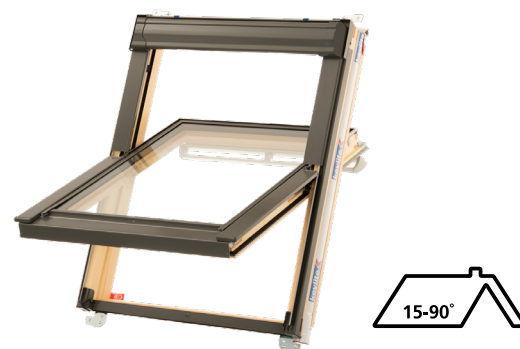


# Centre Pivot Roof Window

Keylite's most versatile window, suitable for single or multiple applications in any roof with a pitch of 15° - 90°



## Features

- ▶ **Additional Visible Glazing** - More height means more light! The new streamlined hood, flashing and timber profiles reveal more visible glazing than ever before.
- ▶ **Click-Fit Hood** - Simply click the hood under the hood hooks and secure into position by clicking the hood in at each end. The cover flashings now require 50% fewer screws than before.
- ▶ **Recessed Fit as Standard** - Every Keylite Roof Window is recessed as standard, sitting lower in the roof than ever before.
- ▶ **New Profile Hood** - Keylite's new hood features a more sculptured design, enhancing its appearance in the roof.
- ▶ **Integrated Thermal Collar** - Unlike other roof windows, Keylite's thermal collar is integrated into the frame. The collar is activated by simply pulling the release tabs for a fast insulation solution, combating cold bridging.
- ▶ **Warm Edge Glazing** - Every Keylite Roof Window now has a warm edge glazing unit as standard, to enhance the windows performance and reduce the occurrence of condensation.
- ▶ **Flick-Fit Brackets** - Keylite's unique Flick-Fit brackets are prefitted so you can lift the window straight from the box to the roof and simply select the setting for tile or slate
- ▶ **Ventilation handle** - Keylite's slimline ventilation handle has a new contemporary style, designed to provide comfortable opening of both the window and the ventilation flap.
- ▶ **All Weather Ventilation** - Keylite Roof Windows all provide trickle ventilation, even with the window fully closed and securely locked. The built in ventilation filter ensures no insects pass into the room, only clean fresh air.
- ▶ **Maintenance Free Hinge** - The hinge being the most vital component of the window, is the only operational part that moves. Keylite has eliminated the maintenance requirement of this component.
- ▶ **Sash Finger Springs** - The sash hinge finger spring allows the sash to be installed back into the frame in one smooth effortless motion.
- ▶ **Approved** - Keylite have invested in their products in order to gain third party accreditations from national bodies such as the BBA. During these assessments our products are subjected to rigorous tests to ascertain they meet the standards required in the following fields; structural stability, ventilation requirements, weather tightness, thermal insulation and performance in relation to fire.



## Installation and Accessory Products

- ▶ **Flashings**
  - Single Installation:
    - Tile (TRF)
    - Deep Tile (DTRF)
    - Slate (SRF)
    - Plain Tile (PTRF)
    - Corrugated Roof (CRF)
  - Combination Installation:
    - Combi Tile (CTRF)
    - Combi Slate (CSRf)
    - Combi Plain Tile (CPTRF)
    - Bi-Lite Tile (BLTRF)
    - Bi-Lite Slate (BLSRF)
    - Quad Lite Tile (QLTRF)
    - Quad Lite Slate (QLSRF)
- ▶ **Additional Installation Products** -
  - Underfelt Collar (FC)
  - Vapour Collar (VC)
- ▶ **Accessories** -
  - 2 metre window pole (WP2)
  - 3 metre window pole (WP3)
  - Solar Powered electric kit (SPEK)
  - Premium electric kit (PEK)
  - Standard electric kit (SEK)
  - Opening restrictor (OR)
  - Security lock (SL)
- ▶ **Blinds** -
  - Integral Blind (I)
  - Dim out Blind (D)
  - Black out Blind (B)

## Application

- ▶ Keylite recommend installing the window so that the frame top is between 1.85 - 2.20m above the floor for ease of operation.
- ▶ For installation of roof windows above 2.2m Keylite also recommend electrical operation and a laminated inner safety pane.

## Operation

- ▶ The Keylite centre pivot roof window is operated manually as standard, through the full width use of our ventilation handle, located along the top of the sash.
- ▶ Electric operation is also available as an additional accessory.

## Guarantee

- ▶ **10 Years** - Keylite's hassle free guarantee on windows and flashings
- ▶ **3 Years** - Keylite's hassle free guarantee on blinds, accessories and electrics.

## Finish Options

- ▶ **Interior** - Pine (T)  
White (W)
- ▶ **Exterior** - Grey  
Conservation Black (CW)





| Window Sizes (WxH)  | 550x780    | 550x980    | 550x1180    | 660x1180   | 780x980    | 780x1180   | 780x1400   | 940x1400    | 940x1600   | 1140x1180  | 1340x980   | 1340x1400 |
|---|------------|------------|-------------|------------|------------|------------|------------|-------------|------------|------------|------------|-----------|
| <b>Pine Finish</b>  |            |            |             |            |            |            |            |             |            |            |            |           |
| Thermal Product Code  | TCP 01 T   | TCP 02 T   | TCP 01C T   | TCP 03 T   | TCP 04 T   | TCP 05 T   | TCP 06 T   | TCP 07F T   | TCP 07 T   | TCP 08 T   | TCP 09 T   | TCP 10 T  |
| Hi Therm Product Code   | TCP 01 HT  | TCP 02 HT  | TCP 01C HT  | TCP 03 HT  | TCP 04 HT  | TCP 05 HT  | TCP 06 HT  | TCP 07F HT  | TCP 07 HT  | TCP 08 HT  | TCP 09 HT  | TCP 10 HT |
| Triple Glazed Product Code  | TCP 01 KTG | TCP 02 KTG | TCP 01C KTG | TCP 03 KTG | TCP 04 KTG | TCP 05 KTG | TCP 06 KTG | TCP 07F KTG | TCP 07 KTG | TCP 08 KTG | TCP 09 KTG | -         |
| <b>White Finish</b>   |            |            |             |            |            |            |            |             |            |            |            |           |
| Note: To order White Finish please add the prefix "W" to the code ie. WCP 04 T. |            |            |             |            |            |            |            |             |            |            |            |           |

### Thermal Performance

|                     |                        | Thermal [T] | Hi Therm [HT] | Triple [KTG] | Frosted [T-FR] |
|---------------------|------------------------|-------------|---------------|--------------|----------------|
| Window U value      | U <sub>w</sub> [W/m²K] | 1.3         | 1.3           | 1.0          | 1.3            |
| Centre pane U value | U <sub>g</sub> [W/m²K] | 1.1         | 1.1           | 0.6          | 1.1            |

### PSI Values

|                  | W/m²K |
|------------------|-------|
| Roof Window Head | 0.058 |
| Roof Window Jamb | 0.058 |
| Roof Window Sill | 0.049 |

### Glazing

**Thermal (T)** - Double glazed, toughened outer pane, argon gas filled cavity, float inner pane.

**Hi-Therm (HT)** - Double glazed, toughened outer pane, argon gas filled cavity, laminated inner pane with enhanced noise reduction.

**Triple Glazed (KTG)** - Triple glazed, toughened outer pane, krypton gas filled cavity, float centre pane, krypton gas filled cavity, float inner pane with enhanced sound and thermal insulation.

**Frosted (FR)** - Double glazed, toughened outer pane, argon gas filled cavity, frosted float inner pane.

### Maintenance

- ▶ The glazing pane of a Keylite Centre Pivot Roof Window can be cleaned with a soft, clean cloth/chamois or non-metal squeegee. Clean water will be sufficient for cleaning the pane.
- ▶ The sash can be rotated through 180° where the outer pane can become available for cleaning once locked in position using the plastic locking mechanism located along the top of the sash.

**Note:** Self-cleaning glass available upon request. For further information, please contact the Keylite technical team.

### Glazing Option

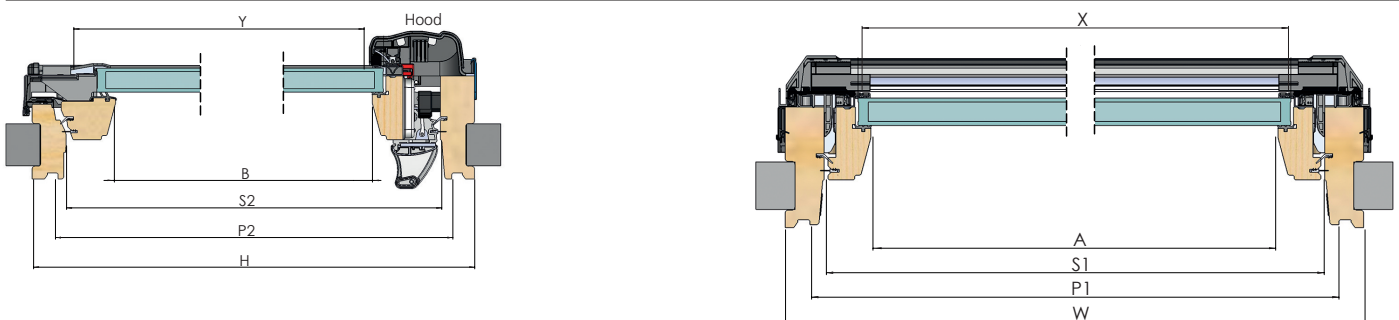
| Glazing Option - Results |  |                | Thermal [T] | Hi Therm [HT] | Triple [KTG] | Frosted [FR] |
|--------------------------|--|----------------|-------------|---------------|--------------|--------------|
| UV                       | Transmittance (%)  | $\tau_{uv}$    | 44          | 0             | 31           | 43           |
| Light                    | Transmittance for standard illuminant D65 (%)                            | $\tau_v$       | 82          | 81            | 74           | 80           |
|                          | Reflectance for standard illuminant D65 (%) <sup>(*)</sup>               | $\rho_v$       | 12          | 12            | 16           | 12           |
|                          | Reflectance for standard illuminant D65 (%) <sup>(**)</sup>              | $\rho_v$       | 12          | 12            | 16           | 12           |
|                          | General colour rendering index (%)                                       | R <sub>a</sub> | 98          | 98            | 97           | 96           |
| Energy                   | Solar direct transmittance (%)   | $\tau_e$       | 58          | 53            | 46           | 57           |
|                          | Solar direct reflectance (%) <sup>(*)</sup>                              | $\rho_e$       | 28          | 28            | 33           | 27           |
|                          | Solar direct reflectance (%) <sup>(**)</sup>                             | $\rho_e$       | 27          | 23            | 32           | 26           |
|                          | Solar direct absorption (%) <sup>(*)</sup>                               | a              | 14          | 19            | 21           | 14           |
|                          | Total solar energy transmittance (Solar Factor) EN410 (%) <sup>(*)</sup> | g              | 64          | 64            | 55           | 63           |
|                          | Shading coefficient (+g_DIN/0.87) <sup>(*)</sup>                         | sc             | 0.74        | 0.73          | 0.64         | 0.73         |

(\*) Incident Radiation from the outside    (\*\*) Incident Radiation from the inside

Technical Information

| Window Type | Window Size | External Frame Size |      | Sash Size |      | Glazing Size |      | Visible Glazing Size |      | Plasterboard |      | Natural Daylight Area (m <sup>2</sup> ) | Equivalent Ventilation Area (mm <sup>2</sup> ) | Structural Opening Size Required (mm) |      |
|-------------|-------------|---------------------|------|-----------|------|--------------|------|----------------------|------|--------------|------|---|--|---------------------------------------|------|
|             |             | (mm)                |      | (mm)      |      | (mm)         |      | (mm)                 |      | (mm)         |      |   |  | W                                     | H    |
|             |             | W                   | H    | S1        | S2   | X            | Y    | A                    | B    | P1           | P2   |   |  |                                       |      |
| TCP         | 01          | 550                 | 780  | 460       | 690  | 396          | 593  | 370                  | 558  | 496          | 720  | 0.206                                   | 3,879  | 590                                   | 820  |
| TCP         | 02          | 550                 | 980  | 460       | 890  | 396          | 793  | 370                  | 758  | 496          | 920  | 0.280                                   | 3,879  | 590                                   | 1020 |
| TCP         | 01C         | 550                 | 1180 | 460       | 1090 | 396          | 993  | 370                  | 958  | 496          | 1120 | 0.354                                   | 3,879  | 590                                   | 1220 |
| TCP         | 03          | 660                 | 1180 | 570       | 1090 | 506          | 993  | 480                  | 958  | 606          | 1120 | 0.460                                   | 4,658  | 700                                   | 1220 |
| TCP         | 04          | 780                 | 980  | 690       | 890  | 626          | 793  | 600                  | 758  | 726          | 920  | 0.455                                   | 6,567  | 820                                   | 1020 |
| TCP         | 05          | 780                 | 1180 | 690       | 1090 | 626          | 993  | 600                  | 958  | 726          | 1120 | 0.575                                   | 6,567  | 820                                   | 1220 |
| TCP         | 06          | 780                 | 1400 | 690       | 1310 | 626          | 1213 | 600                  | 1178 | 726          | 1340 | 0.707                                   | 6,567  | 820                                   | 1440 |
| TCP         | 07F         | 940                 | 1400 | 850       | 1310 | 786          | 1213 | 760                  | 1178 | 886          | 1340 | 0.895                                   | 7,914  | 980                                   | 1440 |
| TCP         | 07          | 940                 | 1600 | 850       | 1510 | 786          | 1413 | 760                  | 1378 | 886          | 1540 | 1.047                                   | 7,914  | 980                                   | 1640 |
| TCP         | 08          | 1140                | 1180 | 1050      | 1090 | 986          | 993  | 960                  | 958  | 1086         | 1120 | 0.920                                   | 9,597  | 1180                                  | 1220 |
| TCP         | 09          | 1340                | 980  | 1250      | 890  | 1186         | 793  | 1160                 | 758  | 1286         | 920  | 0.879                                   | 11,281   | 1380                                  | 1020 |
| TCP         | 10          | 1340                | 1400 | 1250      | 1310 | 1186         | 1213 | 1160                 | 1178 | 1286         | 1340 | 1.366                                   | 11,281   | 1380                                  | 1440 |
| TCP         | 01XS        | 550                 | 550  | 460       | 460  | 396          | 363  | 370                  | 328  | 496          | 490  | 0.121                                   | 3,879  | 590                                   | 590  |
| TCP         | 01S         | 550                 | 700  | 460       | 610  | 396          | 513  | 370                  | 478  | 496          | 640  | 0.177                                   | 3,879  | 590                                   | 740  |
| TCP         | 01F         | 550                 | 1400 | 460       | 1310 | 396          | 1213 | 370                  | 1178 | 496          | 1340 | 0.436                                   | 3,879  | 590                                   | 1440 |
| TCP         | 01G         | 550                 | 1600 | 460       | 1510 | 396          | 1413 | 370                  | 1378 | 496          | 1540 | 0.510                                   | 3,879  | 590                                   | 1640 |
| TCP         | 03XS        | 660                 | 550  | 570       | 460  | 506          | 363  | 480                  | 328  | 606          | 490  | 0.157                                   | 4,658  | 700                                   | 590  |
| TCP         | 03S         | 660                 | 700  | 570       | 610  | 506          | 513  | 480                  | 478  | 606          | 640  | 0.229                                   | 4,658  | 700                                   | 740  |
| TCP         | 03A         | 660                 | 780  | 570       | 690  | 506          | 593  | 480                  | 558  | 606          | 720  | 0.268                                   | 4,658  | 700                                   | 820  |
| TCP         | 03B         | 660                 | 980  | 570       | 890  | 506          | 793  | 480                  | 758  | 606          | 920  | 0.364                                   | 4,658  | 700                                   | 1020 |
| TCP         | 03F         | 660                 | 1400 | 570       | 1310 | 506          | 1213 | 480                  | 1178 | 606          | 1340 | 0.565                                   | 4,658  | 700                                   | 1440 |
| TCP         | 03G         | 660                 | 1600 | 570       | 1510 | 506          | 1413 | 480                  | 1378 | 606          | 1540 | 0.661                                   | 4,658  | 700                                   | 1640 |
| TCP         | 04XS        | 780                 | 550  | 690       | 460  | 626          | 363  | 600                  | 328  | 726          | 490  | 0.197                                   | 6,567  | 820                                   | 590  |
| TCP         | 04S         | 780                 | 700  | 690       | 610  | 626          | 513  | 600                  | 478  | 726          | 640  | 0.287                                   | 6,567  | 820                                   | 740  |
| TCP         | 04A         | 780                 | 780  | 690       | 690  | 626          | 593  | 600                  | 558  | 726          | 720  | 0.335                                   | 6,567  | 820                                   | 820  |
| TCP         | 04G         | 780                 | 1600 | 690       | 1510 | 626          | 1413 | 600                  | 1378 | 726          | 1540 | 0.827                                   | 6,567  | 820                                   | 1640 |
| TCP         | 07XS        | 940                 | 550  | 850       | 460  | 786          | 363  | 760                  | 328  | 886          | 490  | 0.249                                   | 7,914  | 980                                   | 590  |
| TCP         | 07S         | 940                 | 700  | 850       | 610  | 786          | 513  | 760                  | 478  | 886          | 640  | 0.363                                   | 7,914  | 980                                   | 740  |
| TCP         | 07A         | 940                 | 780  | 850       | 690  | 786          | 593  | 760                  | 558  | 886          | 720  | 0.424                                   | 7,914  | 980                                   | 820  |
| TCP         | 07B         | 940                 | 980  | 850       | 890  | 786          | 793  | 760                  | 758  | 886          | 920  | 0.576                                   | 7,914  | 980                                   | 1020 |
| TCP         | 07C         | 940                 | 1180 | 850       | 1090 | 786          | 993  | 760                  | 958  | 886          | 1120 | 0.728                                   | 7,914  | 980                                   | 1220 |
| TCP         | 08XS        | 1140                | 550  | 1050      | 460  | 986          | 363  | 960                  | 328  | 1086         | 490  | 0.315                                   | 9,597  | 1180                                  | 590  |
| TCP         | 08S         | 1140                | 700  | 1050      | 610  | 986          | 513  | 960                  | 478  | 1086         | 640  | 0.459                                   | 9,597  | 1180                                  | 740  |
| TCP         | 08A         | 1140                | 780  | 1050      | 690  | 986          | 593  | 960                  | 558  | 1086         | 720  | 0.536                                   | 9,597  | 1180                                  | 820  |
| TCP         | 08B         | 1140                | 980  | 1050      | 890  | 986          | 793  | 960                  | 758  | 1086         | 920  | 0.728                                   | 9,597  | 1180                                  | 1020 |
| TCP         | 08F         | 1140                | 1400 | 1050      | 1310 | 986          | 1213 | 960                  | 1178 | 1086         | 1340 | 1.131                                   | 9,597  | 1180                                  | 1440 |
| TCP         | 08G         | 1140                | 1600 | 1050      | 1510 | 986          | 1413 | 960                  | 1378 | 1086         | 1540 | 1.323                                   | 9,597  | 1180                                  | 1640 |
| TCP         | 09XS        | 1340                | 550  | 1250      | 460  | 1186         | 363  | 1160                 | 328  | 1286         | 490  | 0.380                                   | 11,281   | 1380                                  | 590  |
| TCP         | 09S         | 1340                | 700  | 1250      | 610  | 1186         | 513  | 1160                 | 478  | 1286         | 640  | 0.554                                   | 11,281   | 1380                                  | 740  |
| TCP         | 09A         | 1340                | 780  | 1250      | 690  | 1186         | 593  | 1160                 | 558  | 1286         | 720  | 0.647                                   | 11,281   | 1380                                  | 820  |
| TCP         | 09C         | 1340                | 1180 | 1250      | 1090 | 1186         | 993  | 1160                 | 958  | 1286         | 1120 | 1.111                                   | 11,281   | 1380                                  | 1220 |
| TCP         | 09G         | 1340                | 1600 | 1250      | 1510 | 1186         | 1413 | 1160                 | 1378 | 1286         | 1540 | 1.598                                   | 11,281   | 1380                                  | 1640 |

Cross Section



**UK**  
Unit 3 Gateway Road, Burton Gateway,  
Burton upon Trent, DE13 8FL

**NI & ROI**  
Derryloran Industrial Est. Sandholes Road,  
Cookstown, Co. Tyrone, BT80 9LU



T: +44 (0) 1283 200 158  
E: info@keyliteuk.com

T: +44 (0) 28 8675 8921  
E: info@keylite.co.uk

[keyliterateofwindows.com](http://keyliterateofwindows.com)