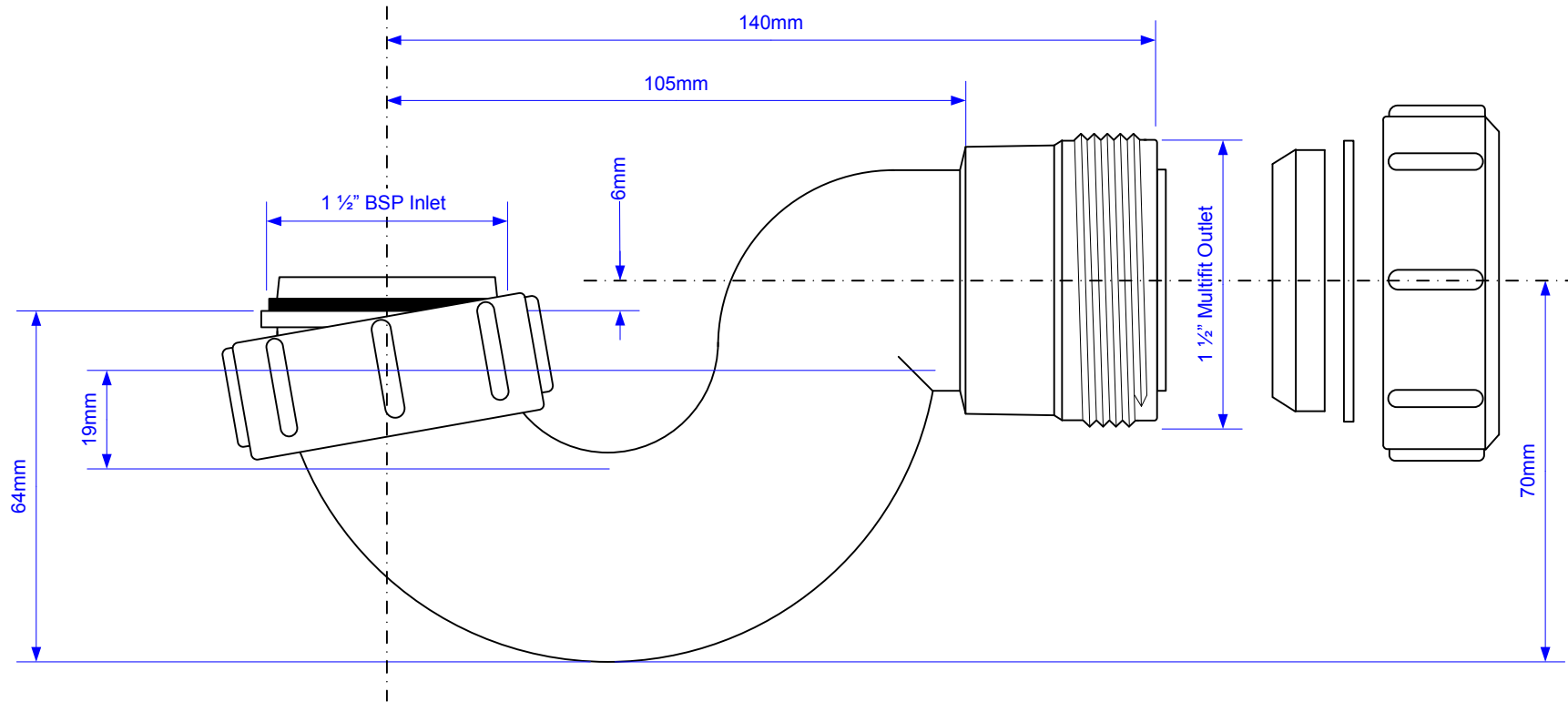


Code:

# Q10



**19mm Water Seal**

© McALPINE  
13/12/2009

Drawing verified correct as of:

02/06/2014  
RM

DRAWN BY

RM

REVISED

03/10/2006, 02/06/2014

FILENAME

Q10.VSD

SCALE

1: 1.25

DATE

02/06/2014