

BARDOLINE SHINGLES



Quality roof shingles

The stylish light weight
bitumen shingle tile strip
roofing system



Onduline[®]

Lightweight roofing systems

www.onduline.co.uk

Bardoline fixing guide:

This guide provides comprehensive design and installation guidance, you can either select and click on the specific information you require from the index below or view this guide and instructional video in full.

Contents:

01	Introduction		
01	Bardoline shingle material composition		
02	Product specification and packaging		
03	Colour range		
02	Roof design		
01	Roof structure		
02	Roof types and terminology		
03	Recommended tool kit		
03	Roof construction		
01	Minimum recommended roof slope		
02	Bardoline roof build up		
04	Fixing shingles details		
01	Aligning shingle tile strips		
02	Fixing shingle tile strips		
03	Eaves preformed tray detail		
04	Eaves detail strip application		
05	Verge preformed verge strip detail		
06	Verge detail strip application		
07	Verge alternative fixing options		
08	Ridge and hip using shingle tile tab pieces		
09	Fixing Bardoline ridge and hip tiles		
05	General fixing details		
01	Ridge fabricated detail		
02	Prefabricated ventilated ridge		
03	Side wall abutment		
04	In line roof ventilator		
05	End wall abutment		
06	Valley lining options		
06	Roof renovation system		
01	Roof preparation		
02	Cold roof application		
03	Warm roof application		
07	Wall cladding application		
01	Fixing specification		

Note: Professional advice should be sought to detail your specific project specification and mechanical fixing requirements as required.

*Please remember the covering of roofs can be hazardous. Always work from a roof ladder or secured roof platform and use the appropriate safety equipment.
Guidance can be found in Health and Safety Guide HSG33 working on roofs.*

BARDOLINE SHINGLES

Introduction

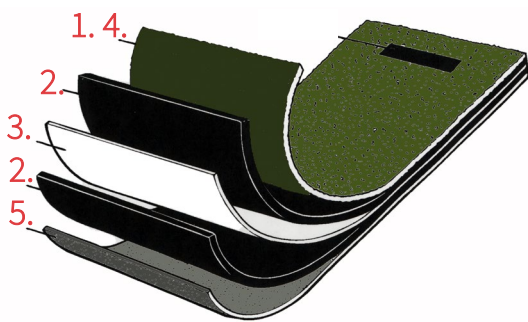
For an attractive and durable roof, please take the time to read this instructional guide. Make all relevant preparations before fixing the Bardoline shingles in accordance with these simple design and fixing instructions.

It will also save you time and money in the long run!

Bardoline shingle tile strips

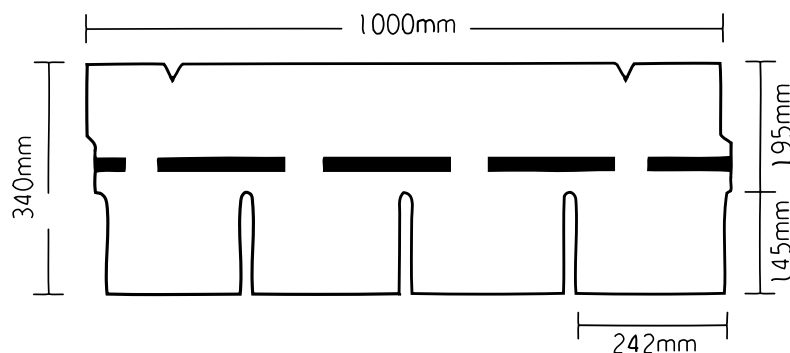
Bardoline is manufactured from high quality materials, using the latest production technology to provide first rate weathering performance.

Composition



1. *Ceramicised granules: high temperature process vitrifies the colour pigments providing assured colour stability, and UV protection.*
2. *Asphalt: specially formulated oxidised asphalt for stability in fluctuating temperatures.*
3. *Pre-impregnated 125g/m² Classic (95g/m² Base grade) bonded glass fibre mat: guarantees outstanding mechanical resistance.*
4. *Heat sensitive adhesive strip just apply gentle heat with hot air gun to bond the tile tabs of the overlapping tile.*
5. *Silicon sand: under surface finish to the tile strip.*

Material specification and packaging



Bardoline is available in two durable qualities: [DIY 100G](#) ideal for the domestic garden house and timber frame building market and the [Pro 125S](#) designed for high end specification housing, commercial and industrial projects.

Pro 125S shingles

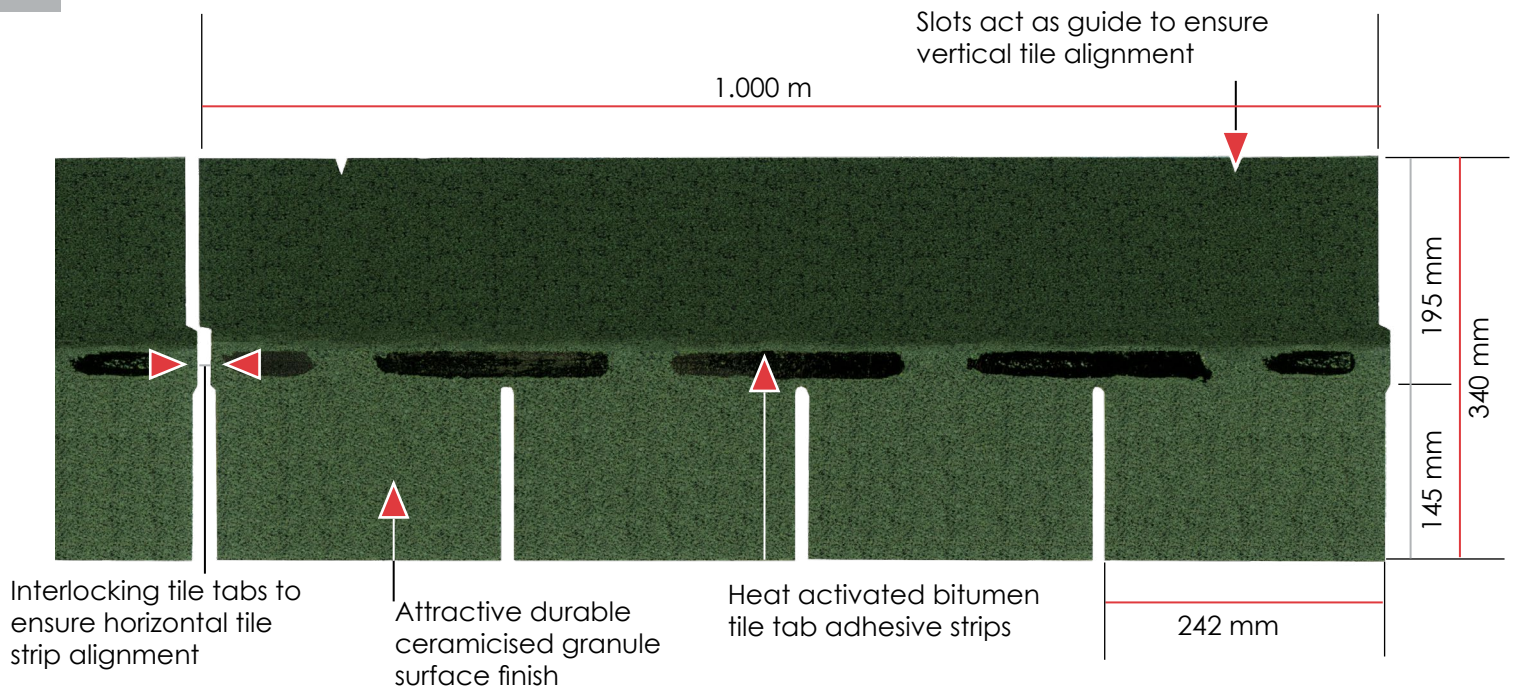
Nominal
Thickness 3.4mm
Weight 10.7kg/m²

Package 21 tiles pack
Effective surface area 3.05m²
14 tiles per pack
Effective surface area 2.03m²

DIY 100G shingles

Nominal
Thickness 3.0 mm
Weight 8.5kg/m²

Package 21 tiles pack
Effective surface area 3.05m²
14 tiles per pack
Effective surface area 2.03m²



Bardoline colour range

Red shingles

Green

Slate Grey

Red multi-colour
(clay effect)

Brown



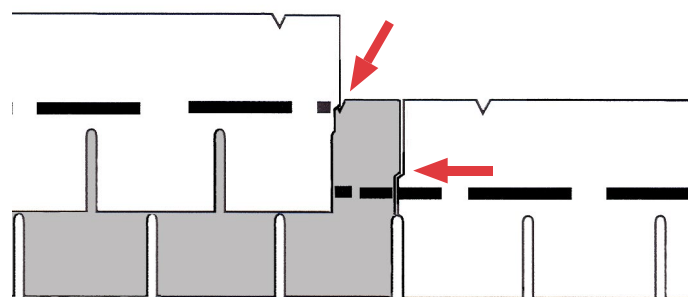
Note: Other colours are available to special order only (typical minimum quantity 6000 m²)

Benefits:

- Durability
- Light weight
- Versatility
- Ease of fixing
- Cost effective
- Attractive appearance
- Virtually maintenance free
- Low maintenance
- Material guarantee*
- Auto shingle alignment

*Terms and conditions apply

Auto tile tab alignment:



Shingle tile strip alignment

Interlocking side tabs automatically aid the horizontal alignment of the shingle tile strips. Slots positioned in the top of the shingle tile strip engage with the edge of the next course to provide assured alignment of the tile tabs vertically.

Roof design:

Roof structure

It really is worth taking the time to first check your roof and carefully set out the design for the support structure on your project.

It will save you time and money!

New build project:

Just follow the information contained in this leaflet to create a long lasting trouble free roof covering.

Existing roofs:

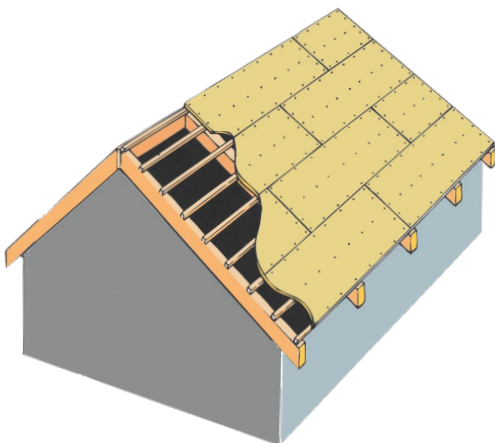
Survey your roof structure this will allow you to decide if it requires maintenance, upgrading or strengthening prior to fixing the Bardoline shingles.

Make note of the roof construction; normally built using a decked roof laid on rafters or purlins supported on a trussed roof structure.

Support structure design:

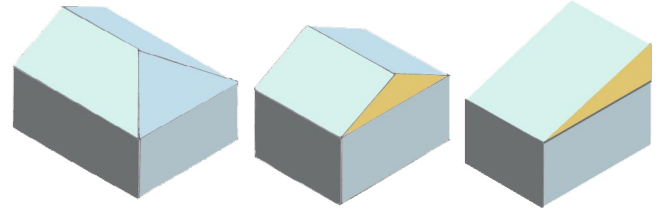
A fully supporting rigid deck must be provided below the Bardoline. Any irregularity in the decking will be apparent through the tile strips. **The roof should be constructed in accordance with relevant Building Standards and Codes of Practice**, with all timber treated with preservatives. Exterior quality plywood board is the preferred decking for Bardoline; it should be a minimum of 12 mm thick with all fixing head finished flush with the sheet surface. The board should be fully supported on at least three purlins and laid in a broken bond pattern. If close boarding is used it should be a minimum of 15mm thick and should be interlocking to avoid movement distortion in the decking.

Note: Alternatively suitable roofing grade 18 mm Stirling / OSB boards can also be used below Bardoline fixed in strict accordance with the manufacturers instructions.



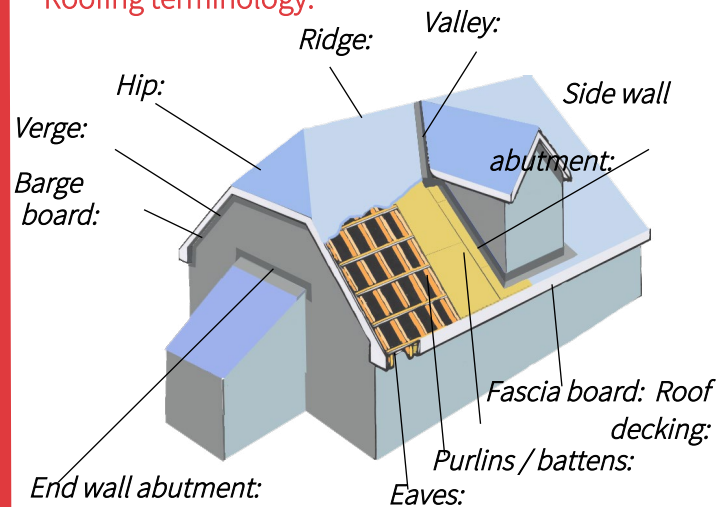
If you are in doubt over your roof condition or design professional advice should always be sought

Roof types and terminology



Hipped roof: Duo-pitch roof: Mono-pitch roof:

Roofing terminology:



Recommended tool kit



- 1 Hammer:
- 2 Tin snips:
- 3 Roofers knife:
- 4 Tape measure:
- 5 Straight edge:
- 6 Hot air gun:

- 7 Hand saw for decking:
- 8 Power saw for decking:
- 9 Angle to form ridge tiles:
- 10 Protective gloves: Protective
- 11 glasses:
- 12 Protective hard hat:

Roof construction:

So let's get started with the first two steps to create your durable, attractive and long lasting roof you can be proud of...

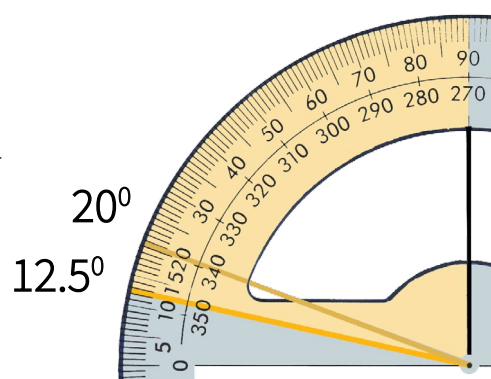
Minimum recommended roof slope



The minimum recommended roof slope to which Bardoline roof strips can be fixed is: 12.5° degrees. Bardoline roof strips must always be laid on an Onduline roof underlay membrane on roof slopes below 20° degrees.

(Indeed its good practice to always use an underlay)

First calculate the slope of your roof using a protractor. Then measure your roof and take note of the materials and tools required to cover your roof including any Bardoline shin-gle tile strip system accessories required for your project.



Bardoline roof construction a, b, c,

a Make ready the roof Deck



Bardoline shingle tile strips must be laid on a roof deck in accordance with relevant British Standards and Codes of Practice. Minimum roof slope: 12.5° degrees.

Minimum deck thickness: 12 mm to 18 mm.

Note: Any irregularity in the surface of the decking will become apparent through the shingle strips in service.

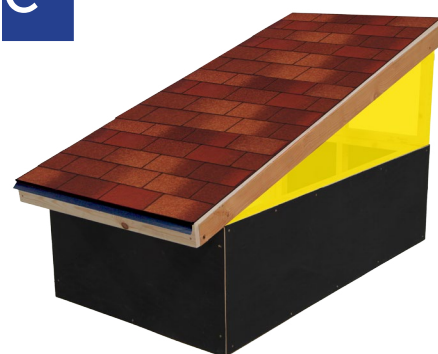
b Lay Onduline roof underlay



Onduline underlay must be used on roof slopes below 20° degrees, the membrane laid with a 15 cm end laps and nailed at 10 cm centres using large headed galvanised clout nails.

Note: Select one of the range of Ondutiss underlays either conventional or vapor permiable to match your design requirements.

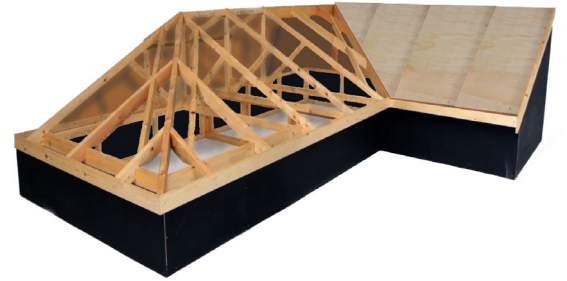
c Fix Bardoline tile strips



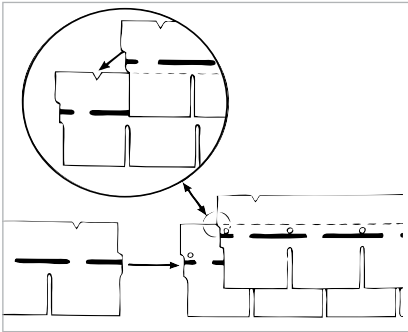
Finally fix the Bardoline tile strips in accordance with the instructions set out in the Bardoline fixing instructions.

Note: Remember before fixing the shingles to your roof take time to look at the instructional video available on the Onduline website.

Fixing shingles



Aligning shingle tile strips



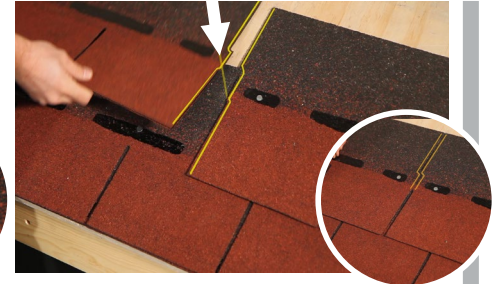
Fixing tile strip

Interlocking side and top slots aid positioning shingle strips. Start alternate trimmed to a form tile bond pattern.



Vertical alignment slot

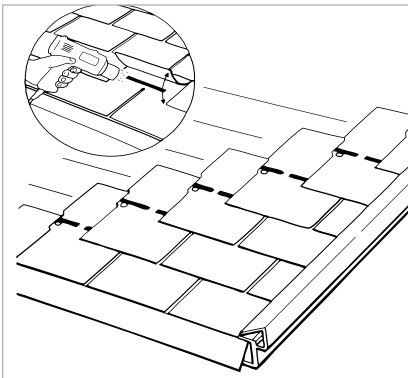
Guide slots are cut into the top edge of the tile strip, which when opened form a slot into which the next course is engaged for vertical alignment.



Horizontal alignment tag

Ensure the shingles are positioned square to the line of the eaves and verge. Interlocking side tags provide horizontal alignment of shingle tile strip.

Fixing shingle tile strips



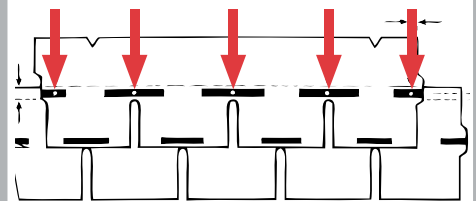
Fixing shingle tile strips

Lay the tile strips diagonally, square to the eaves and ridge.



Fixing shingles

Lay the shingles diagonally across the roof taking care to keep them square to the line of the eaves and verge at all times in a broken bond pattern.



Securing shingle strips

Fix using 5 x 20mm large headed galvanised clout nails per tile strip. Nail through the adhesive strip band into the top edge of the lower course.



Fixing file tab

Bond the tile tabs by gently heating the bitumen tab on the lower course with a hot air gun
Note: Take care to keep the bitumen strip clean of roof debris prior to heating.



Consolidating bond

Consolidate the bonding of the tile tab by pressing with batten. Check the bond after cooling and reinforce laps joints with gun applied adhesive as required.



Eaves preformed eaves tray detail



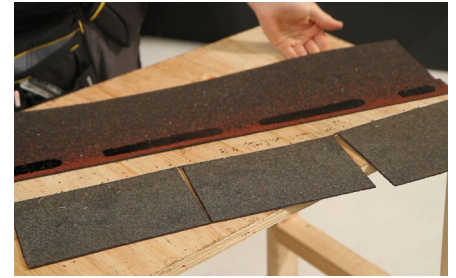
Onduline eaves tray

Fix the Onduline universal eaves tray to form a drip edge into the gutter. Allow a 20cm end lap and fix using 20 mm galvanised clout nails at 20 cm centres.



Preparing base course

Cut off tile tabs with knife from shingle strip using a deep straight edge to cut against to protect fingers should the blade slip.



Eaves base course

The remaining strip forms the eaves base course which is nailed onto the roof. Note: Cut the underside of the shingles to reduce blade wear.



Fixing base course

Position and nail the base course strip onto the roof, aligning the bitumen tabs with the position of the shingle eaves course tile tabs.



Fixing eaves course

The eaves course is then fixed. Heat is used to consolidate the bond of the eaves course tile tab onto the eaves base course.



Eaves and Verge

The shingles are then fixed diagonally across the roof to the line of the verge.

Eaves detail strip application



Fixing eaves course

Position and unroll the detail strip square to the line of the eaves. Note: The detail strip is often not an exact colour match to the shingle granules.



Forming drip edge

Nail the detail strip using 20 mm galvanised large headed clout nails, form the drip edge either dressing into a gutter or nailing at 5 cm centres to the fascia.



Detail tape eaves verge

The detail strip can also be used to seal the verge by forming the drip edge and securing by nailing at 5 cm onto the bargeboard fascia.



Fixing eaves course

Overlay the eaves course strip onto the roof and nail into place as described above.



Fixing eaves course

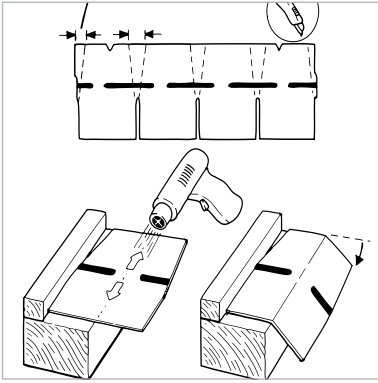
Apply bitumastic adhesive below the eaves shingles course tile tabs to secure the tile tabs in position.



Fixing to verge

Apply bitumastic adhesive below the shingles up the line of verge to secure the shingles in place.

Ridge and hip using shingle tile pieces



Fabricating ridge tiles

For a superior aesthetic and weathering of ridge and hips.



Fabricating ridge tiles

On a bench cut the underside of the rectangular shingle into four pieces, trimming the top lapped section removing the side slot sections as illustrated.



Ridge tile coverage

The cut ridge pieces provide a coverage of 14.5 cm per tile, so prepare sufficient for your project. Caution always use a deep straight edge to protect fingers.



Forming ridge tiles

Next, either make a former or use the edge of the bench to form the shingle ridge tiles. Then gently heat along fold line using a heat gun.



Forming ridge tiles

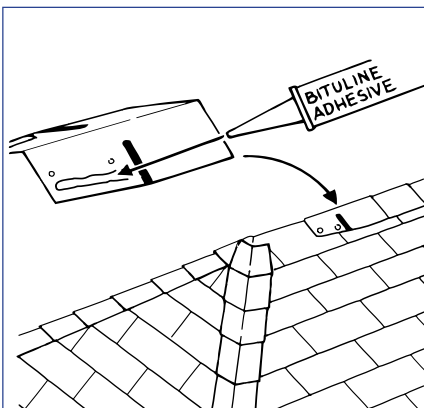
The Bardoline ridge tile is then formed by bending over the angled former to fabricate the Bardoline ridge tile.



Forming ridge tiles

Place the Bardoline ridge tiles over the edge of the bench, they can then be taken to the roof and laid as described below.

Fixing Bardoline ridge and hip tiles



Ridge and hip bond

On exposed locations reinforce the tile lap bonding with Onduline lap adhesive applied to the section to be lapped or as a continuous bead if Detail tape is used.



Laying ridge and hip tiles

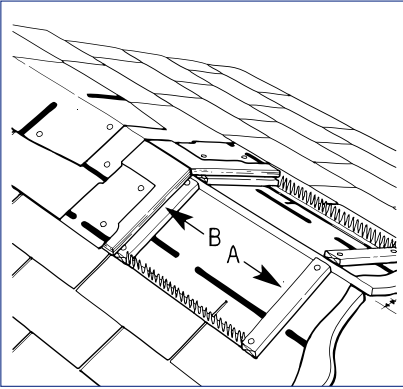
The ridge tiles are positioned on the roof and nailed through the lapped section using 20 mm large headed galvanised clout nails.



Preparing eaves course

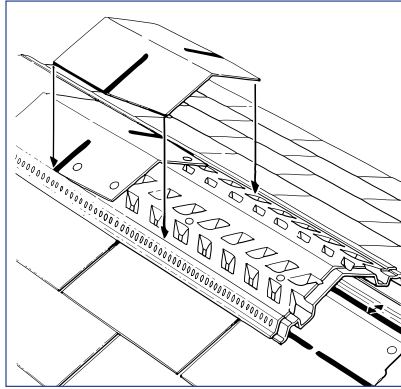
The fixing is completed by heating the shingle bitumen sealant strip and using a batten to consolidate the joint. On exposed locations reinforce this bond with Onduline sealant.

General fixing details



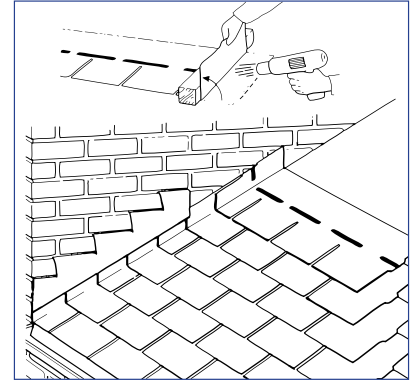
Fabricated vented ridge

Fix ridge as Fig. 9. Nail 12 x 150mm support battens (A) at 200mm centres. Fix ventilator comb and overlay with 12mm plywood raised ridge (B), allow a 12mm overhang at ridge. Overlay with Bardoline strips/ridges.



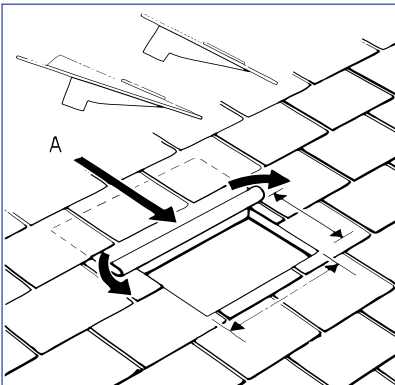
Preformed ventilated ridge

Provide 25mm gap in decking at ridge and lay tile strips to ridge. Lap and fix ridge unit by nailing through designated line. Overlay with Bardoline ridge tiles fixed as previously described.



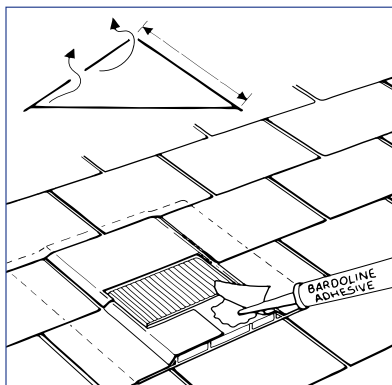
Side wall abutment

Dress the underlay 65 mm up the wall abutment, then form a 75 mm upstand in the shingles by gently heating and bending the fold line using a hot air gun. Finish with a separate cover flashing.



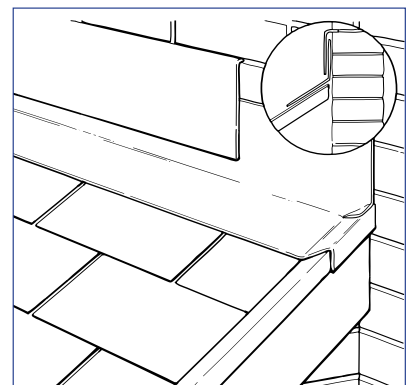
Bardoline ventilator

Select the correct ventilator to suit roof pitch. Cut hole in decking and form a welt in the Ondutiss (A) under tile strip above.



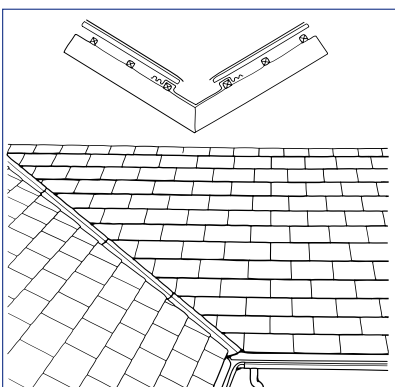
Fixing in line ventilator

Position and fix ventilator by nailing apron. Cut and overlay Bardoline tile strips using adhesive to bond onto ventilator. Connectors are available to connect to soil vent pipes.



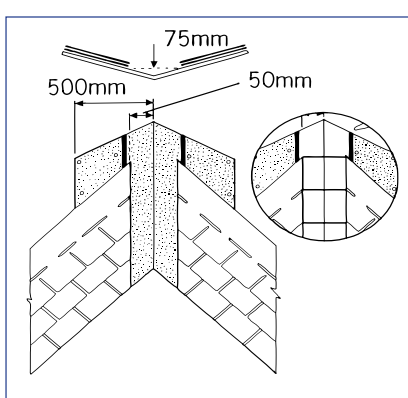
End wall abutment

Gently heat tile strip and fold up 75mm upstand to wall abutment. use adhesive to bond tile strips. Alternatively use a metal apron flashings Finish with a separate cover flashing.



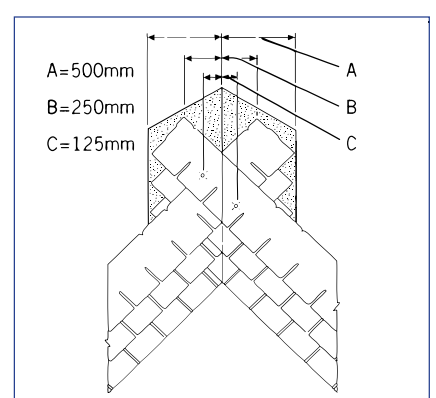
Valley preformed lining

Proprietary valley linings can be easily incorporated into decked roof construction. Envelope the exposed edge of decking with trimmed detail tape. Fix the Bardoline strips with a 6mm overhang from the deck into the valley.



Bardoline lined valley

High performance mineral surfaced membrane to line valley. Fix tile strips to valley line. Alternatively lay ridge pieces on membrane and overlap strips, sealing edges with sealant adhesive.



Bardoline lapped valley

Line the valley base with Ondutiss underlay, then lap alternative courses of tile strips over it. Mechanical fixings should not be made within 125mm of valley base.

Application

Onduline roofing systems must be laid in strict accordance with the relevant Fixing Guides.

Conditions Of Use

As a result of product development, specifications and product dimensions may be changed without prior notice. BARDOLINE Roof Shingles has been developed in consultation with major roof tile manufacturers for use on roofs below their normally recommended minimum pitch.

Guarantee

The BARDOLINE roof shingle system is guaranteed to remain weatherproof for thirty years when fixed in strict accordance with our fixing instructions and maintained as directed. The guarantee is limited to the replacement cost of Onduline material only and does not extend to the primary tile / slate roof covering, labour, related construction or third-party costs.

Caution

Covering of roofs can be a hazardous operation. All work must be carried out with due regard to health and safety regulations as set out in HSG33 (Roof work).



Onduline[®]
Lightweight roofing systems

www.onduline.co.uk

Onduline Building Products Ltd
150 Minorities | Aldgate
London | EC3N 1LS
Tel: 020 7727 0533
E-mail: enquiries@onduline.net