



Products with this symbol (crossed out wheeled bin) cannot be disposed as household waste. Old electrical and electronic equipment must be recycled at a facility capable of handling these products and their waste by-products. If you are purchasing replacement equipment your retailer may offer a 'take back' scheme, or will be able to give details of the nearest approved authorised treatment facility. Proper recycling and waste disposal will help conserve resources whilst preventing detrimental effects on our health and the environment.

WEEE Registered Code: WEE/ED0093VW

This appliance is not intended for use by persons (including children) with reduced physical, sensory or mental capabilities, or lack of experience and knowledge, unless they have been given supervision or instruction concerning use of the appliance by a person responsible for their safety. Children should be supervised to ensure that they do not play with the appliance.



Manufactured by:

Smith's Environmental Products Ltd.,
Blackall Industrial Estate,
South Woodham Ferrers,
Chelmsford,
Essex.
CM3 5UW
Tel: 01245 324560
Fax: 01245 324422

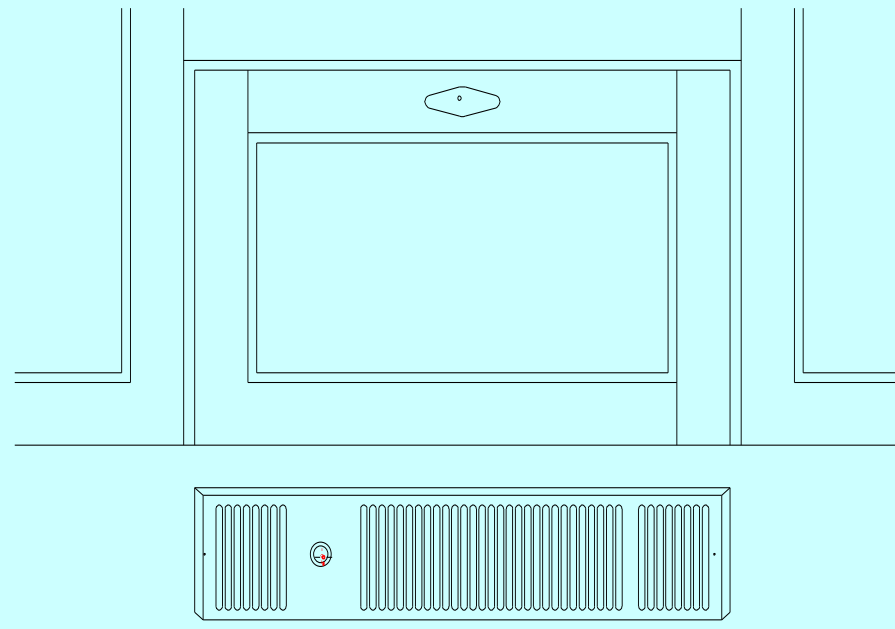
General Information
Email: info@SmithsEP.co.uk
Web: www.SmithsEP.com

As part of the policy of continuous product improvement, Smith's Environmental Products Ltd reserves the right to alter specification without prior notice.

Kitchen Heater

Installation and User Guide

Central Heating and Electric Models



User Information:

Cleaning and user maintenance shall not be made by children without supervision

Children of less than 3 years should be kept away unless continuously supervised

Children aged from 3 years and less than 8 years shall only switch on/off the appliance provided that it has been placed or installed in its intended normal operating position and they have been given supervision or instruction concerning use of the appliance in a safe way and understand the hazards involved. Children aged from 3 years and less than 8 years shall not plug in, regulate and clean the appliance or perform user maintenance.

CAUTION — Some parts of this product can become very hot and cause burns. Particular attention has to be given where children and vulnerable people are present.

Kitchen Heater – Central Heating

The following items should be included in the carton:

- ❖ Product complete with pre-wired mains cable.
- ❖ Fixing screws (2).
- ❖ One pair flexible installation hoses.
- ❖ 1 x white fascia grille.
- ❖ 1 x stainless steel fascia grille (please remove protective film before installation).

In the event of any items missing or visible damage, please contact us on 01245 324560.

This heater is primarily intended for installation in the space beneath kitchen cupboards behind the plinth. However it can also be installed in similar applications such as stair risers and other built-in furniture.

This heater must not be installed in a bathroom or other high humidity areas.

This heater is designed for use on standard two-pipe pumped central heating systems. Pipes are 15mm and either may be used as flow or return.

This product is not suitable for one-pipe systems

This heater is classed as a fixed appliance and electrical connections should be via a double pole 3A fused spur with a minimum gap of 3mm. The fused spur must not be directly above the heater but should be accessible after completion of the installation. If the prewired mains cable is damaged, it must be replaced by the manufacturer, its service agent or similarly qualified person. The appliance must be earthed.

To ensure adequate air flow, a minimum clearance of 20mm between the top of the product and any shelving is essential.

To avoid the possibility of vibration, this product must be installed on a flat even surface.

There must be no rear access to the product after completion of the installation.

A remote room thermostat can be used in conjunction with this heater (not supplied). Interrupt the supply between the fused spur and the heater. Refer to manufacturers supplied instructions. If in doubt call the helpline on 01245 329206.

The flexible hoses supplied are suitable for use with either 15mm diameter copper pipe or cross-linked polythene barrier pipe to BS 7291. For all other types of pipe we recommend the use of compression fittings.

Please note the guarantee may be invalidated if this product is not installed and used in accordance with this guide.

Kitchen Heater – Electric

User Information

- ❖ Your product is covered by a free 2-year parts and labour guarantee.

Heating

Before switching the heater on, please ensure the fascia grille is free from obstruction.

Ensure your fused spur is switched ON. Set the controller thermostat to the desired temperature. Set the upper fan switch and the middle 1kW switch to ON.

To turn the heater off, set the fan switch to OFF. Please note all switches must be in the ON position to achieve 2kW heat output.

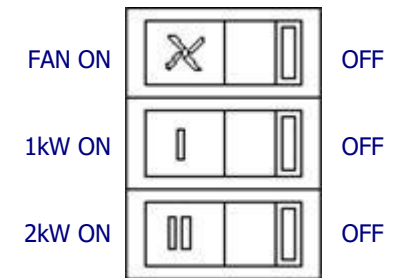
For your safety this heater is fitted with automatic overheat protection. If the heater stops, turn off the power at the fused spur, wait 5 minutes and switch the power back on.

Air Circulation (Summer Use)

Set the controller thermostat to maximum. Set the fan switch to ON. Ensure the 1kW and 2kW switches are OFF. The heater will provide a cooling flow of air.

Fault Finding

This heater is covered by a free 2-year parts and labour guarantee. Please refer to the Fault Finding section on page 9 for advice. In the event of difficulty, please contact us on 01245 324560.



User Guide

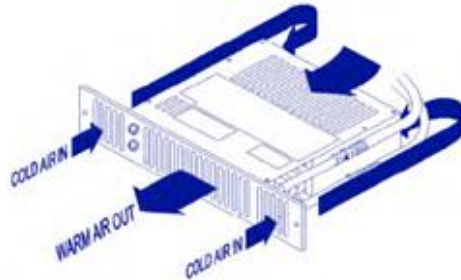
Kitchen Heater – Central Heating

User Information

- ❖ Your kitchen heater is designed to operate as part of your central heating system in the same way as a panel radiator. Providing the heat output switch is left in the normal (I) position your heater will switch on and off automatically with your central heating system.

How Your Kitchen Heater Works

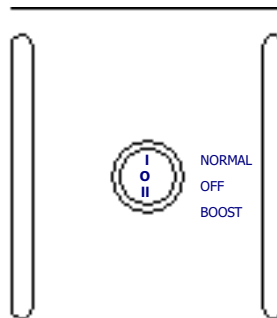
Hot water from your central heating system passes through a heat exchanger transferring its heat to the aluminium fins. Cooler air is drawn in by the fan and heated as it passes through the heat exchanger before being expelled gently back into the room. This not only gives a more even temperature spread, but will heat a room up in less than half the time of traditional panel radiator.



This heater includes an internal thermostat that prevents the fan from operating until the central heating system water passing through the heat exchanger reaches 38°C. This prevents the heater circulating cooler air at start up.

Heating

Ensure your central heating is on, the switch set to normal (I). Providing the water temperature is more than 38°C and the room thermostat controlling your central heating is calling, your heater will switch on. If you require a faster warm up set the switch to boost (II). To switch off the heater set the switch to O.

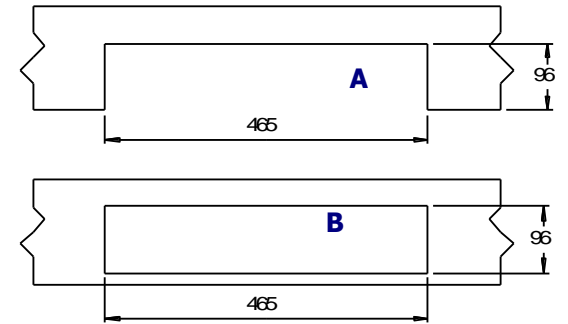


Fault Finding

This heater is covered by a free 2-year parts and labour guarantee. Please refer to the fault finding section on page 5 for advice. In the event of difficulty, please contact us on 01245 324560. It will be helpful if you do not disconnect the heater from the central heating system.

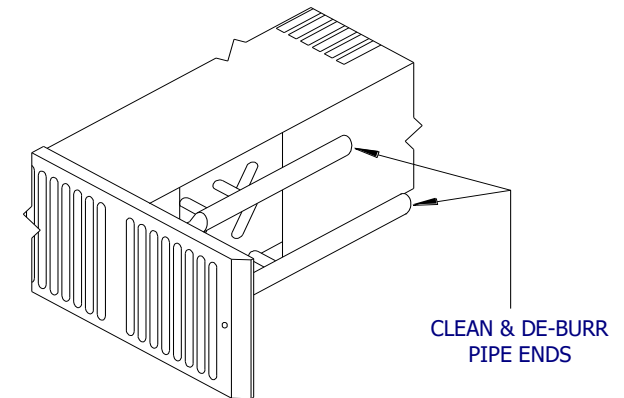
Installation guide

1. We recommend the use of a knee pad when installing this product. Cut the opening in the plinth to the size shown. In the table. Use method A or B. If using method B you will require support under the heater.

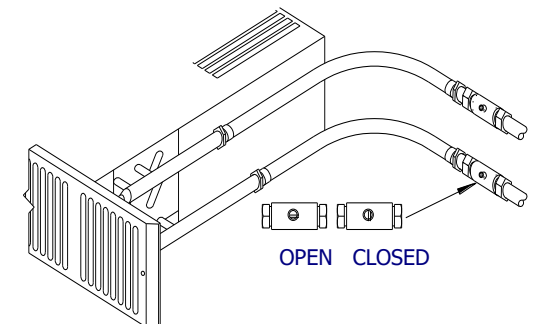


2. Clean and de-burr both the heater and system flow and return pipes

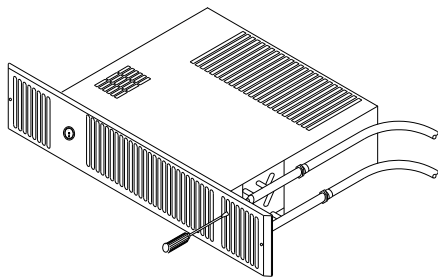
N.B. either pipe may be used on flow or return.



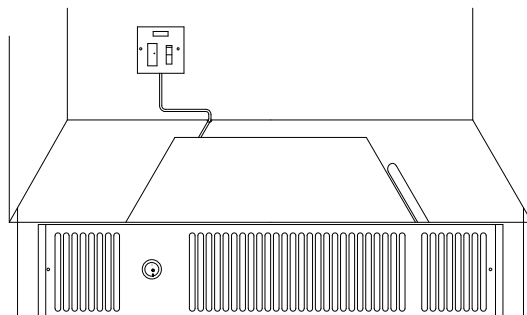
3. Fit isolating valves (not supplied) to the flow and return pipes. Failure to fit isolating valves may mean that the product is not serviceable in the event of failure. Connect the flexible hoses between the system pipework and heater. Open the isolating valves and check for leaks.



4. Vent air through bleed screw.



5. Isolate electrical supply and connect the heater electric cable to the fused spur (3A). Ensure the fused spur is not directly above the heater and is accessible after installation is complete.



Wiring Details

The wires in the mains cable are coloured in accordance with the following code:

Earth: Green-And-Yellow,

Neutral: Blue,

Live: Brown

If the colours of the wires in the electrical cable do not correspond with the coloured marking identifying the terminals in your fused spur proceed as follows:

- ❖ The wire which is coloured GREEN-AND-YELLOW must be connected to the terminal in the fused spur which is marked with the letter E, or by the earth symbol \perp , coloured GREEN or GREEN-AND-YELLOW.
- ❖ The wire which is coloured BLUE must be connected to the terminal which is marked with the letter N or coloured BLACK.
- ❖ The wire which is coloured BROWN must be connected to the terminal which is marked with the letter L or coloured RED.

Commissioning

1. Turn on the electrical supply at the fused spur.
2. Turn on the central heating system.
3. Set any room thermostat/s to maximum
4. Set the heat output switch to I. Within a few moments the fan will run and the heat will flow.
5. Balance the central heating system if this heater is installed on the same circuit as panel radiators.
6. When the installation is working correctly, remember to set any room thermostat/s to its normal setting.

Commissioning

1. Pair the heater with the controller (see separate SLVTB booklet and quick set up guide)
2. Set the upper switch to ON – the fan will run.
3. Set the middle 1kW switch to ON – heat will flow immediately (1kW).
4. Set the lower switch to ON – additional heat will flow (2kW).
5. Set the thermostat on the controller to the desired temperature (see separate SLVTB controller instruction booklet)

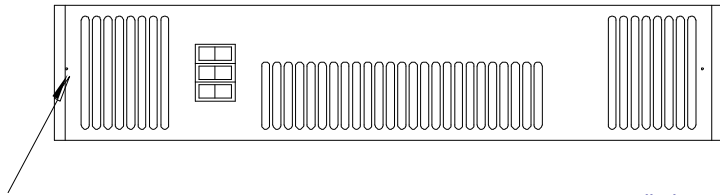
Fault Finding

1. Fan does not run / no heat output.
 - a. Check the power supply is switched ON.
 - b. Check the heater is paired to the SLVTB controller
 - c. Check the battery in the SLVTB controller
 - d. Check the fuse in the fused spur.
 - e. Check the fan switch is ON.
2. If the overheat has activated, manually reset as follows.
 - a. Switch the power supply OFF at the fused spur.
 - b. Wait five minutes for the overheat cut out switch to reset.
 - c. Switch the power supply ON.

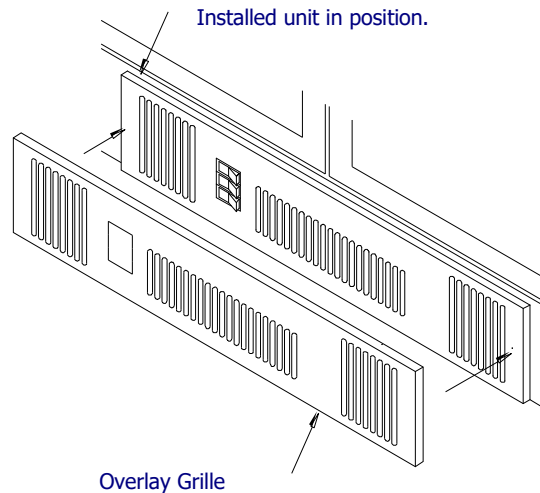
In the event of any difficulty, please contact us on 01245 324560.
It will be more helpful if you do not remove the product from the central heating system.

3. Position the heater, making sure the electrical cable is not snagged.

Fix heater to plinth.



4. Fit grille to plinth using screws supplied.




5. If required fit the overlay grille. Remove the screws holding the fixed grille to the plinth, place the overlay grille over the fixed grille and refit the screws.

Wiring Details

The wires in the mains cable are coloured as follows:

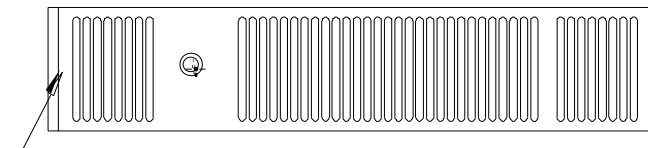
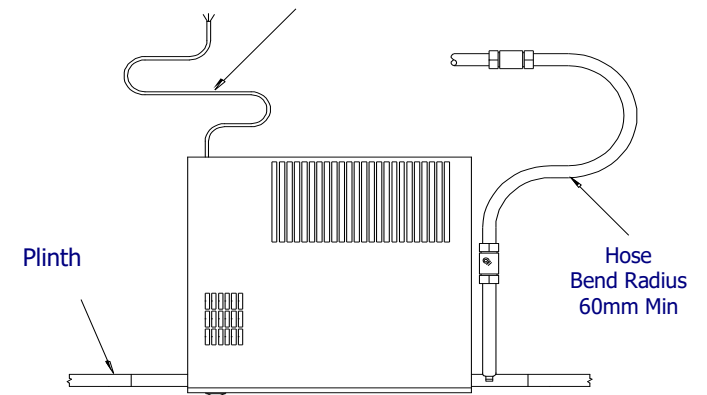
Earth: Green-And-Yellow,
Neutral: Blue,
Live: Brown.

If the colours of the wires in the electrical cable do not correspond with the coloured markings identifying the terminals in your fused spur proceed as follows:

- ❖ The wire coloured GREEN-AND-YELLOW must be connected to the terminal in the fused spur which is marked with the letter E, by the Earth symbol , coloured GREEN or coloured GREEN-AND-YELLOW.
- ❖ The wire which is coloured BLUE must be connected to the terminal which is marked with the letter N or coloured BLACK.
- ❖ The wire which is coloured BROWN must be connected to the terminal which marked with the letter L or coloured RED.

6. Position heater, making sure the Flexible hoses are not kinked and the electrical cable is not snagged.

Electrical Cable



7. Fix heater to plinth using supplied screws.

Fault finding

1. No heat output on settings I and II.
 - a. Check the power supply is switched ON.
 - b. Check the fuse in the fused spur.
 - c. Check the wiring connections at the fused spur.
 - d. If fitted, ensure any room thermostat/s are calling for heat.
 - e. Balance the central heating system if installed on the same circuit as panel radiators and increase the circulating pump speed if required.
 - f. Increase the boiler water temperature.

In the event of any difficulty, please contact us on 01245 324560.
It will be more helpful if you do not remove the product from the central heating system.

Installation Guide

Kitchen Heater – Electric

The following items should be included in the carton:

- ❖ Product complete with steel fascia grille and pre-wired mains cable.
- ❖ SLVTB wireless controller (this must be used for the unit to operate)
- ❖ Fixing screws (2).
- ❖ Overlay grille.

In the event of any items missing or visible damage, please contact us on 01245 324560.

This heater must be used with the supplied SLVTB wireless controller. It will not work without it.

This heater is primarily intended for installation in the space beneath kitchen cupboards behind the plinth. However it can also be installed in similar applications such as stair risers and other built-in furniture.

This heater must not be installed in a bathroom or other high humidity areas.

This heater is classed as a fixed appliance and electrical connections should be via a double pole 10A fused spur with a minimum gap of 3mm. The fused spur must not be directly above the heater but should be accessible after completion of the installation. If the prewired mains cable is damaged, it must be replaced by the manufacturer, its service agent or similarly qualified person. The appliance must be earthed.

To ensure adequate air flow, a minimum clearance of 20mm between the top of the product and any shelving is essential.

To avoid the possibility of vibration, this product must be installed on a flat even surface.

There must be no rear access to the product after completion of the installation.

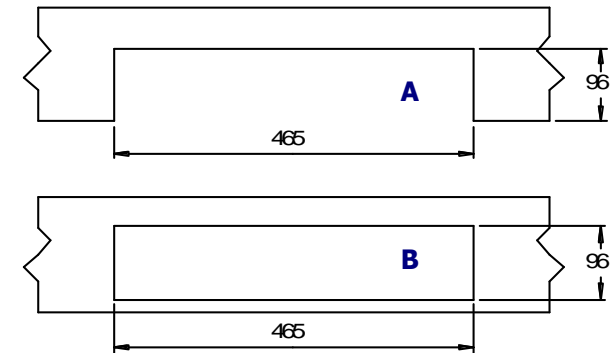
This heater is fitted with overheat protection. The heater will automatically stop in the event of the heating elements reaching the cut out temperature.

In the event of any difficulty, please contact us on 01245 329206.

Please note the guarantee may be invalidated if this product is not installed and used in accordance with this guide.

1. We recommend the use of a knee pad when installing this product. Cut the opening in the plinth to the size shown. In the table. Use method A or B. If using method B you will require support under the heater.

* The overall height of the grille is 100mm. Use care when cutting the opening.



2. Isolate electrical supply and connect the heater electric cable to the fused spur (10A).

Ensure the fused spur is not directly above the heater and is accessible after installation is complete.

