




Product Technical Sheet



I. General

Product Description	AUTO PIPE CUTTER 22MM
SKU	210395
Brand	Wickes
Product image	<p>PRODUCT IMAGE</p> 



Product Technical Sheet



II. Reference data

Specification	<p>The Auto Pipe Cutter is a professional tool for cutting copper pipes, perfect for use in tight spaces.</p>
Features and Benefits	<ul style="list-style-type: none">-Heavy duty zinc alloy construction;-Outer diameter:69mm, height: 13.1mm.
Application	<ul style="list-style-type: none">-Suitable for cutting 22mm copper pipe;-Cutting copper pipes in confined, awkward spaces;-Not suitable for stainless steel.



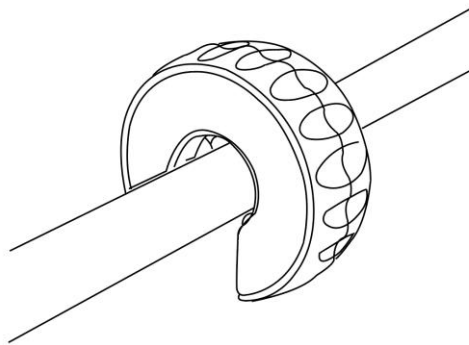
III. Instructions & Note

-Instructions-

STEP 1

Place the 22mm tube into the tube cutter.

Note: This tube cutter is only suitable for tubes with an outer diameter of 22mm. Please measure and confirm the size before use.



STEPS

STEP 2

Hold the tube in one hand and the tube cutter in the other hand. Rotate the pipe cutter in the direction of the arrow until it cuts.

Note: Make sure that the tube cutter is rotated in the direction indicated by the arrow on the product sticker when using it.

