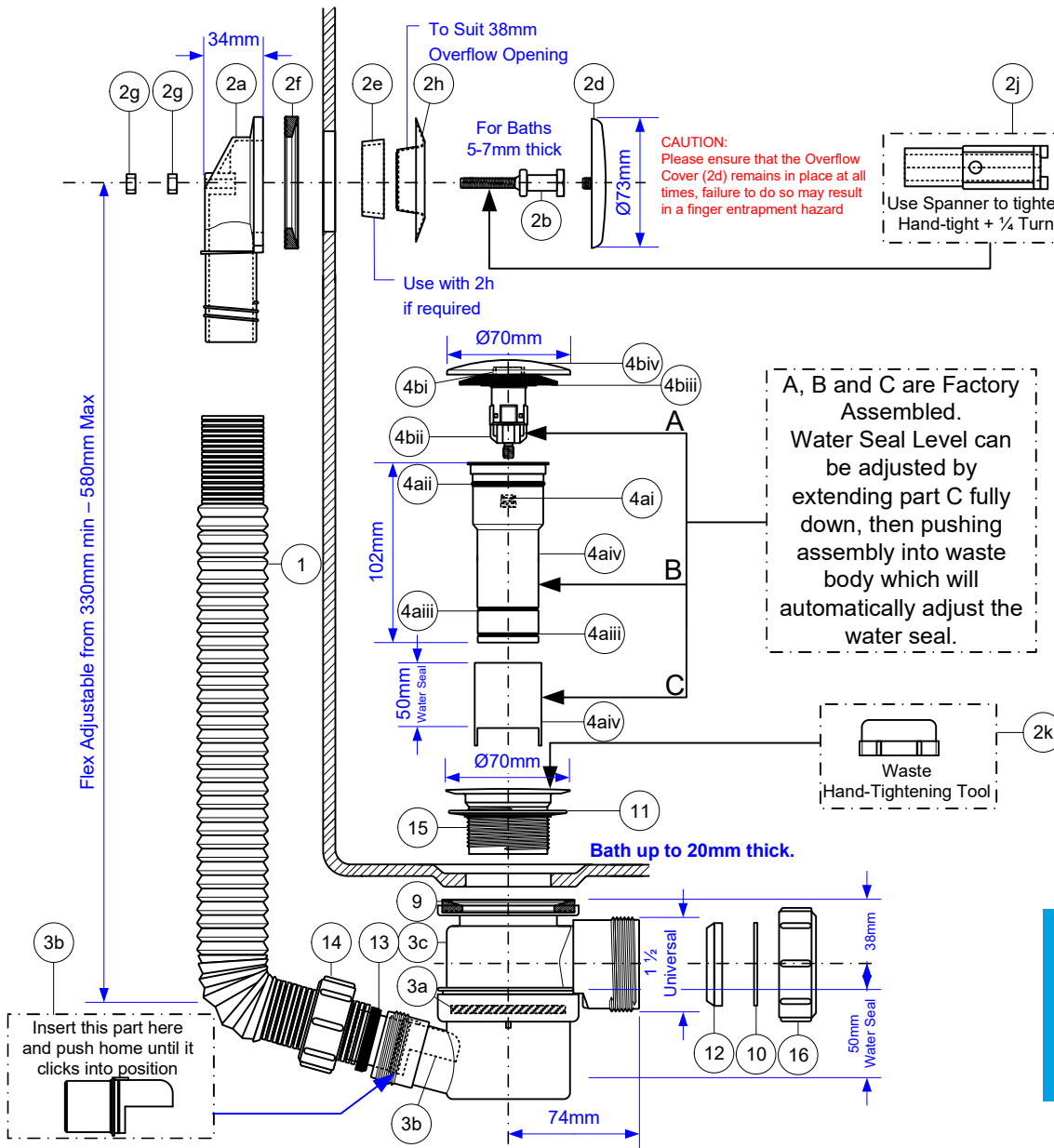
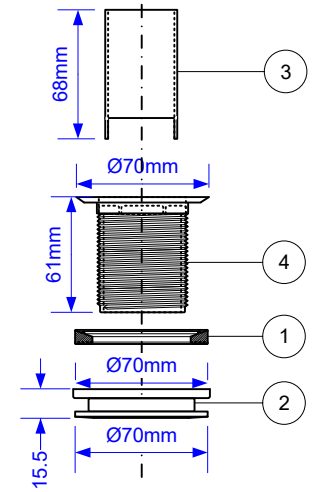


Installation Instructions for: HC2650UK

113mm high 1 1/2" Bath Trap with Overflow & Clicker Waste Plug & 50mm Seal



Extension Kit available for use in thicker Baths CODE: HC2650-EXT-KIT



Part No.	Code
1	Seal
2	Extension Piece
3	68mm Sleeve
4	61mm Long Flange



OUTLET CAN BE ROTATED

Part No.	Description
1	750mm Expanding Pipe
2	Bath Trap Overflow Sub-assembly
a	Slim Bathrose
b	61mm Long Ferrule
c	Plastic Bag (Not Shown)
d	Ø73mm Overflow Cover
e	Seal. Use with 2h on 45mm Holes
f	Ø75x52x6.5mm Nitrile Rubber Seal
g	S.S. M6 Hex Nut
h	Ø70mm S.S. Grid
j	Spanner for O/F (Item 2b)
k	Shower Spanner (Item 15)
3	Clicker Body Sub-assembly
a	Seal for Clicker Body
b	Push Fit Flex Adaptor
c	Clicker Body with O/F
4	Tube and Plug Sub-Assembly
a	Tube Sub-Assembly
i	1/4 UNC x 7mm Insert
ii	31.47mm x 1.78mm O-Ring
iii	37.82mm x 1.78mm O-Ring
iv	2-Part Shower Trap Tube
b	CP Brass Clicker Plug
i	Spacer for Clicker Switch
ii	Clicker Switch
iii	Clicker Seal
iv	Ø73mm S.S. Clicker Cover
5	Leaflet (Not Shown)
6	Plastic Bag (Not Shown)
7	Carton (Not Shown)
8	Carton (Not Shown)
9	Ø75x52x6.5mm Nitrile Rubber Seal
10	1 1/2" Plastic Washer
11	TPE Seal
12	1 1/2" Rubber Multifit Olive
13	1 1/4" Nitrile Rubber Seal
14	1 1/4" Compression Nut
15	Ø70mm Flange -No Grating
16	1 1/2" Multifit Compression Nut