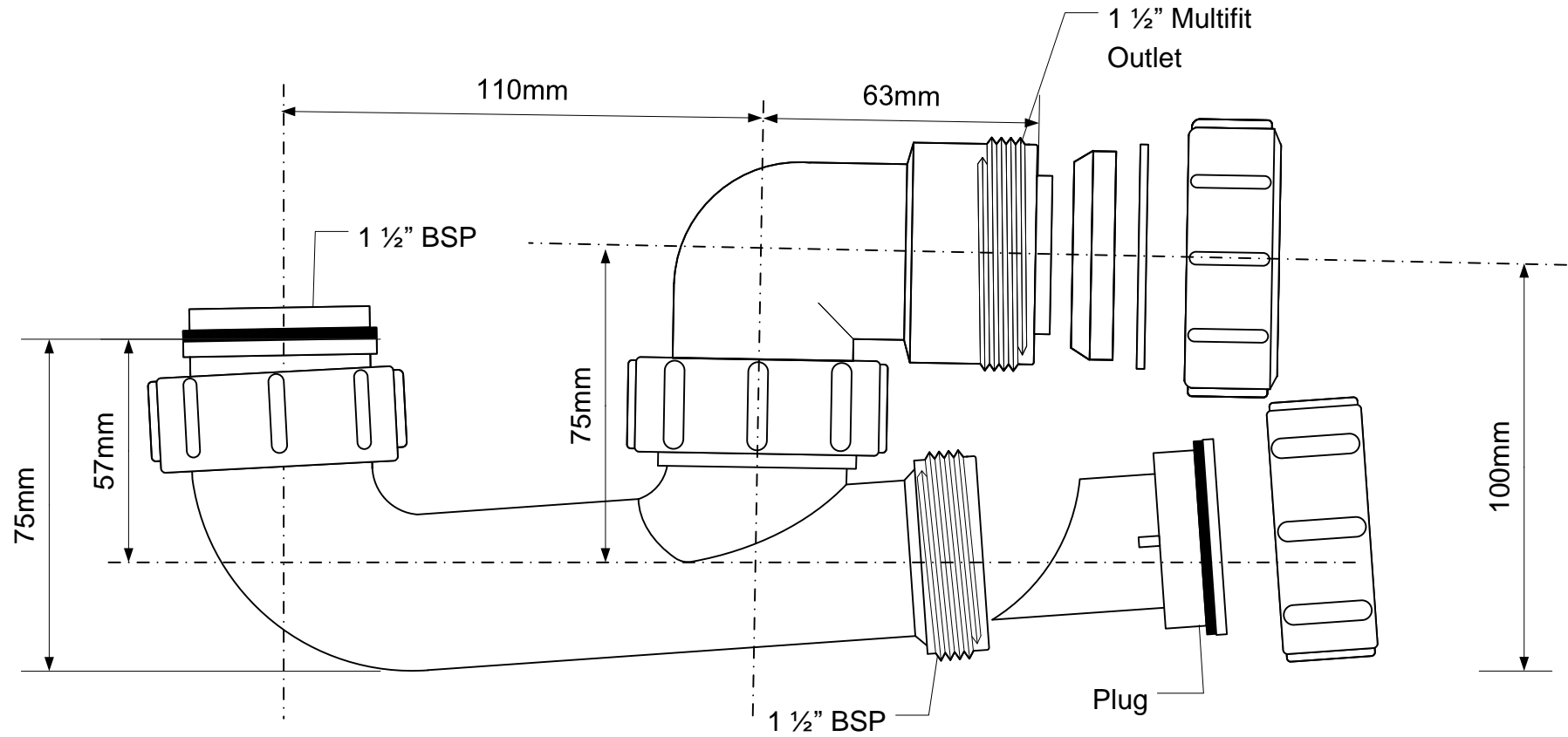


Code:

SM10



McALPINE

Drawing verified correct as of: 24.01.13
T.C.

DRAWN BY RM
SCALE 1: 1.5

REVISED
1 - Check sizes (TC 24.01.13)
2 - Add pg 2 (TC 11.07.16)

FILENAME SM10_20180505220311257.VSD
DATE 24.01.13