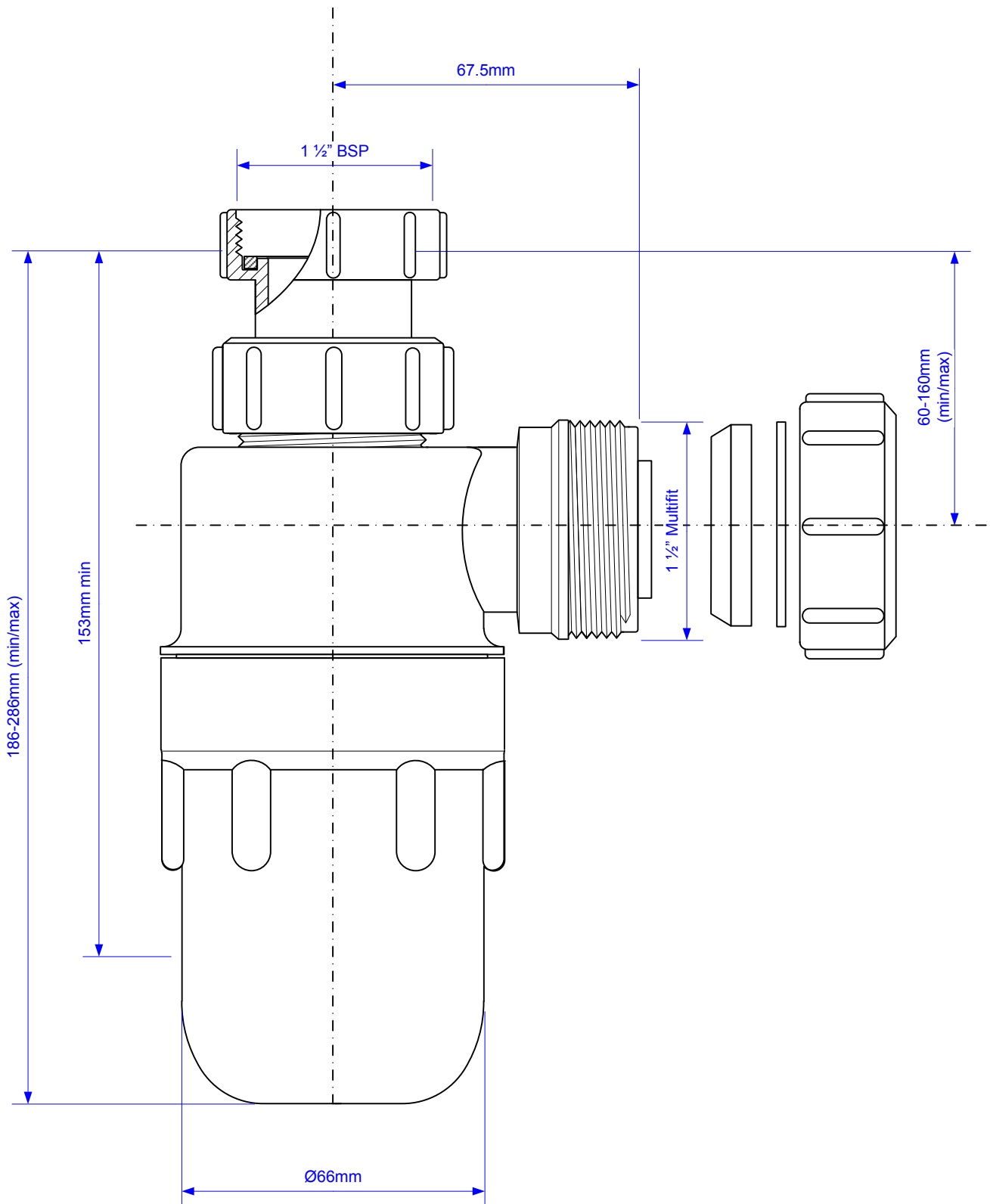


Code:

A10A



Drawing verified
correct as of:

06/06/2013
RM

DRAWN BY

RM

SCALE

1: 1.25

REVISED

14/12/2009, 28/09/2012
06/06/2013

FILENAME

A10A.VSD

DATE

06/06/2013