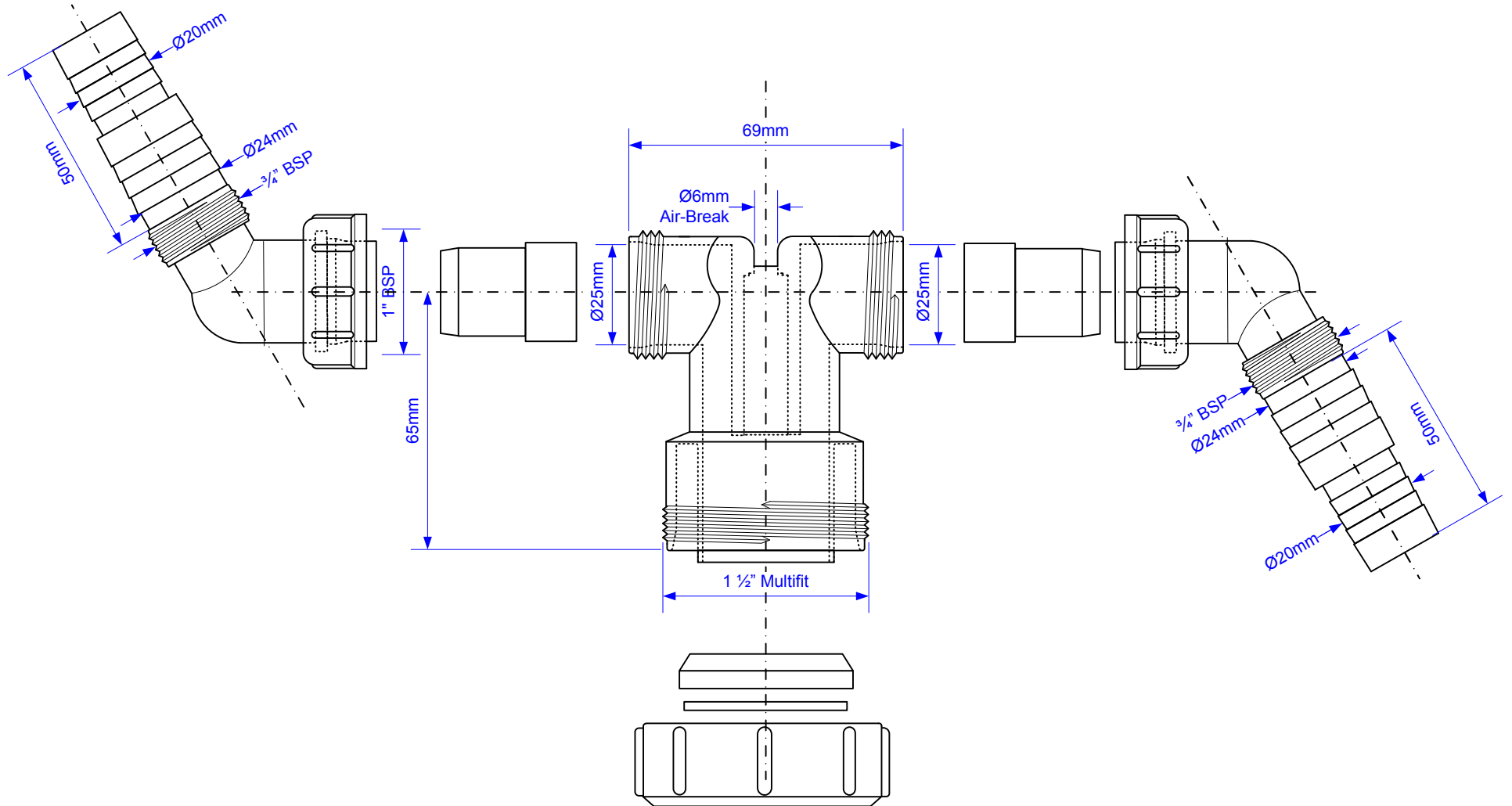


Code:

V33WM



Drawing verified correct as of:

17/03/2015
RM

DRAWN BY

RM

REVISED

SCALE

1: 1.5

FILENAME

V33WM.VSD

DATE

17/03/2015