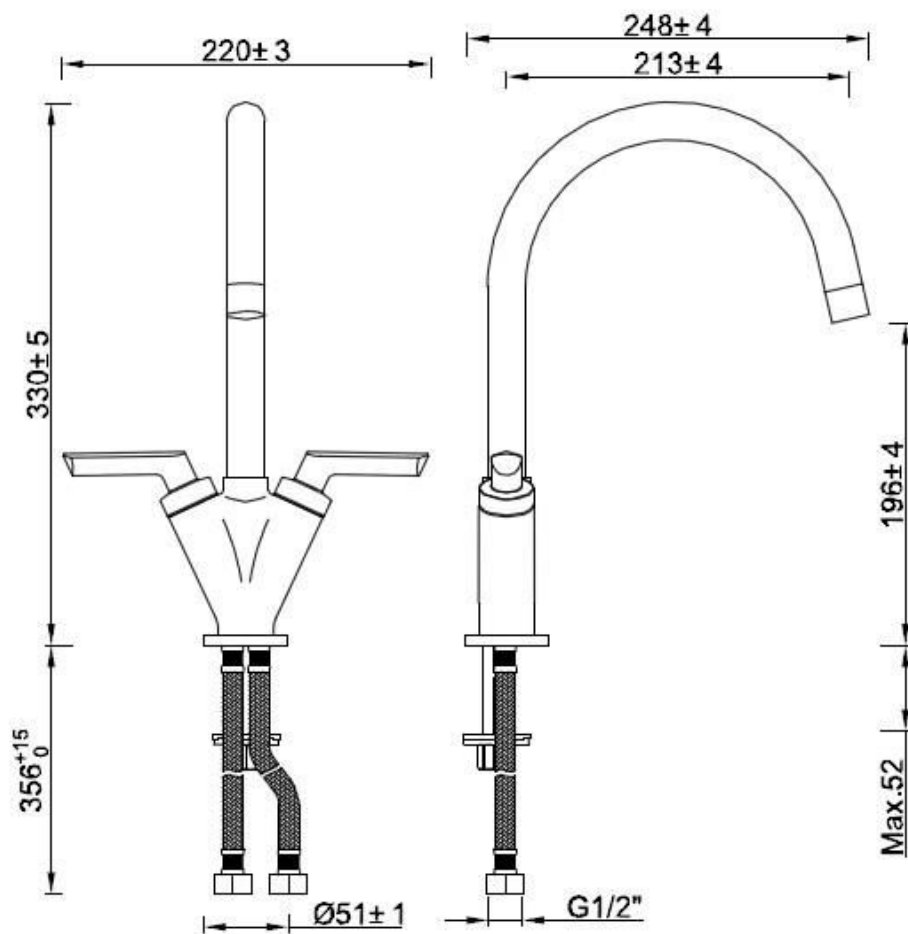


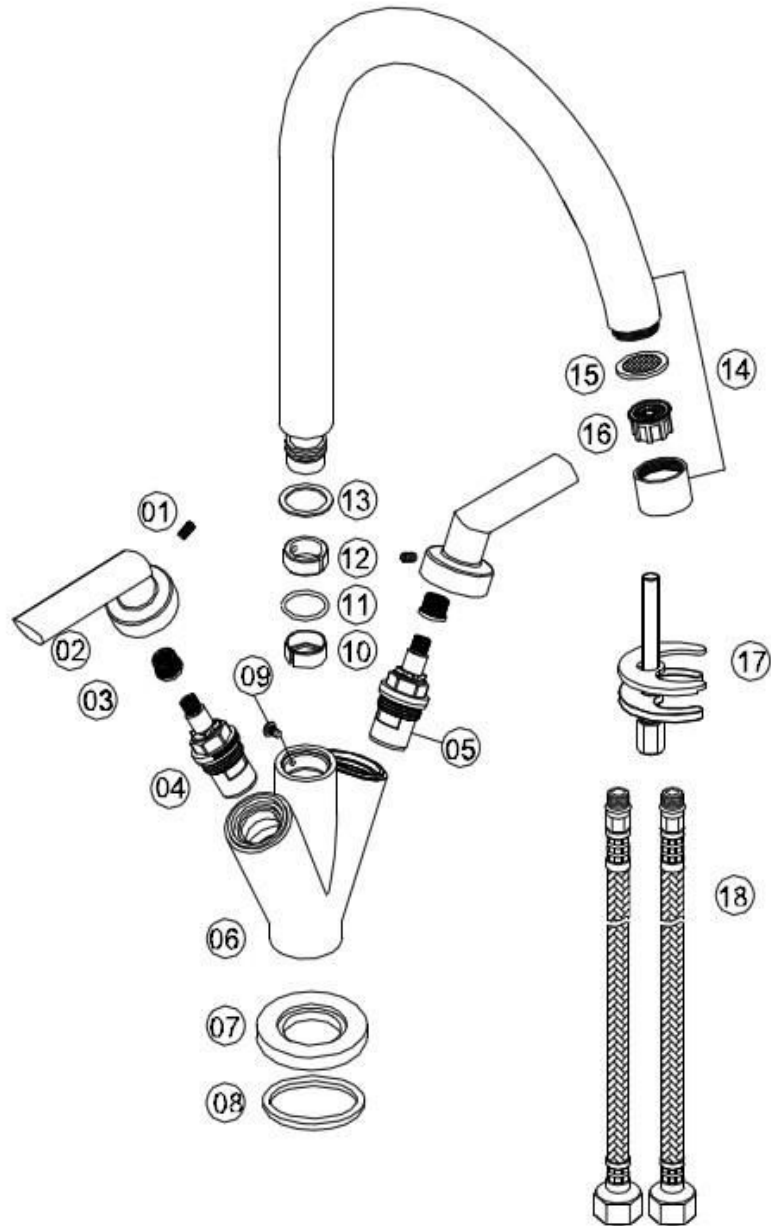
# 207012 - Sienna Mono mixer

Useful Information	
Minimum operating pressure	0.2 bar
Maximum operating pressure	5 bar
Guarantee length	5 years

## Technical Diagram



Exploded Diagram



Item Number	Supplier Ref	Description	Quantity	Spares Available
1	SC5-4SN	Screw	2	Yes
2	H32-E-CP	Handle	2	Yes
3	SA03	Spline Adaptor	2	Yes
4	VS01-C20	1/2" CD Valve	1	Yes
5	VS01-C20	1/2" CD Valve	1	Yes
6	127004-01	Body	1	No
7	N26-D2	Flange	1	Yes
8	N25-B	Washer	1	Yes
9	SC4-7.5S	Screw	1	Yes
10	M3204-02-01	Sleeve	1	Yes

11	OR136	O Ring	1	Yes
12	M9004-02-02	Block Ring	1	Yes
13	M3207-02-06	Washer	1	Yes
14	M3207-02S	Spout	1	No
15	A14-01X	Washer	2	Yes
16	A13-02	Flow straightener	1	Yes
17	N24-M	Fixing kit	1	Yes
18	BZG10-1/2"-370	Braided Connectors	1	Yes

Flow Rates

## FAQ

### **What should I do if my tap is dripping/leaking?**

Cleaning the valve (if water dripping from tap)

Before carrying out any maintenance, turn off the mains water supply. If unsure contact a qualified tradesman.

1. Remove the cap(e), grub screw(a), handles(b) and spindle(c).
2. Remove the valve(d) using a suitable spanner, clean thoroughly under cold water
3. to remove any build up of limescale or debris.
4. If necessary replace the valve.
5. Replace the valve(d) into the body, tighten the valve using a suitable spanner.
6. Replace the spindle(c) and handles(b), tighten

### **What does the Guarantee Cover?**

The Guarantee Covering leakage, manufacturing defects and Chrome Plating

The guarantee does not cover:

- Damage or defects caused by:
  - general wear and tear (including special non-chrome finishes; components such as filters, seals, 'O'rings and washers)
  - incorrect installation
  - repair using non- PPI parts
  - accidental or wilful misuse
  - corrosion and the use of inappropriate cleaning products.
  - system debris including the build up of limescale (which can be controlled through regular servicing and maintenance).
- Compensation for loss of use of the product or consequential loss of any kind.

